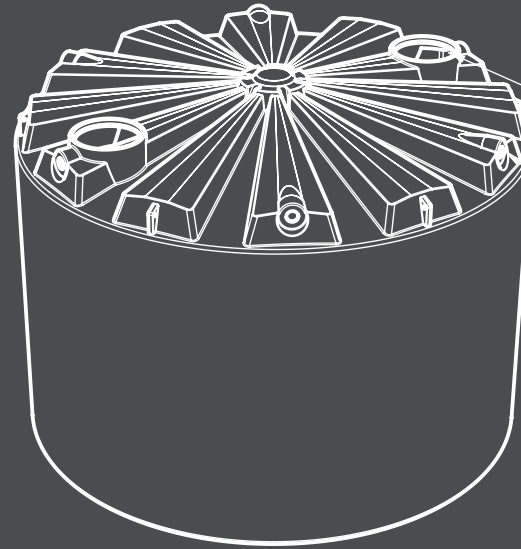


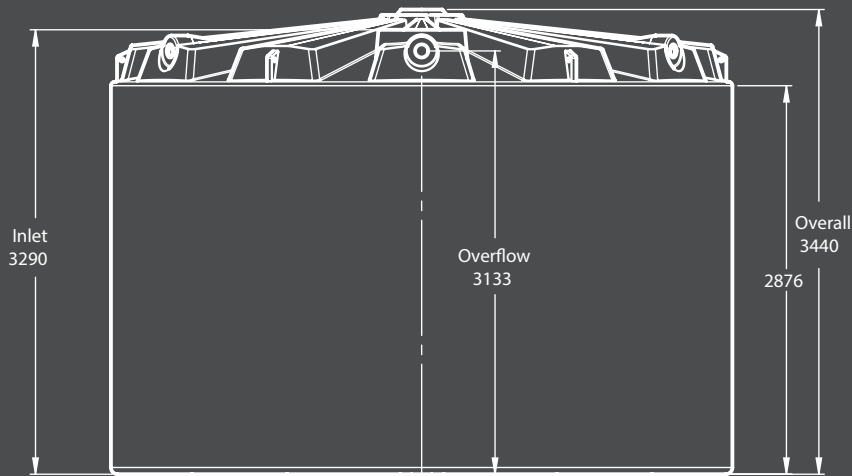
PLAN VIEW



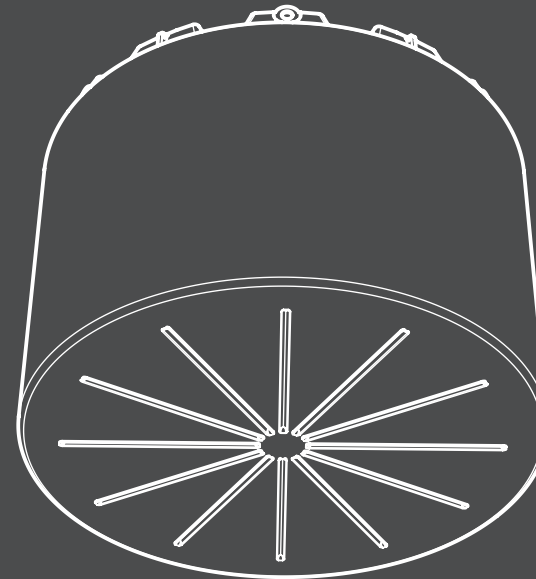
PICTORIAL VIEW

Ø 500mm MANHOLE
- 12:00 Standard
(2 positions available)

OVERFLOWS
- 12:00 Standard
Alt 2:00, 4:00, 6:00, 8:00, 10:00



FRONT VIEW



UNDERSIDE PICTORIAL VIEW

50,000L MEGA TANK



T: 03 5033 9000

F: 03 5033 0224

E: sales@polymaster.com.au