

**Receiver**

 Society  
 Reference  
 Address  
 Phone  
 Fax  
 E-mail

**From**

 -  
 -  
 -

**Item n° :**

60179854

**Model :**

K 45/50 T IE3

**Pump data**
**MEI ≥**

 Pressure rating : 8 bar (800 kPa)  
 Min. fluid temperature : -10 °C  
 Max. fluid temperature : 50 °C  
 Max. Ambient temperature : 40 °C

**Requested data**

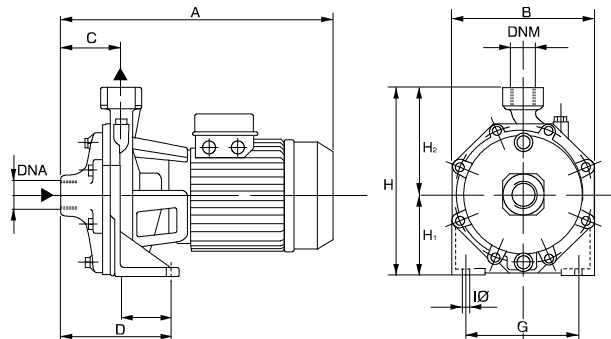
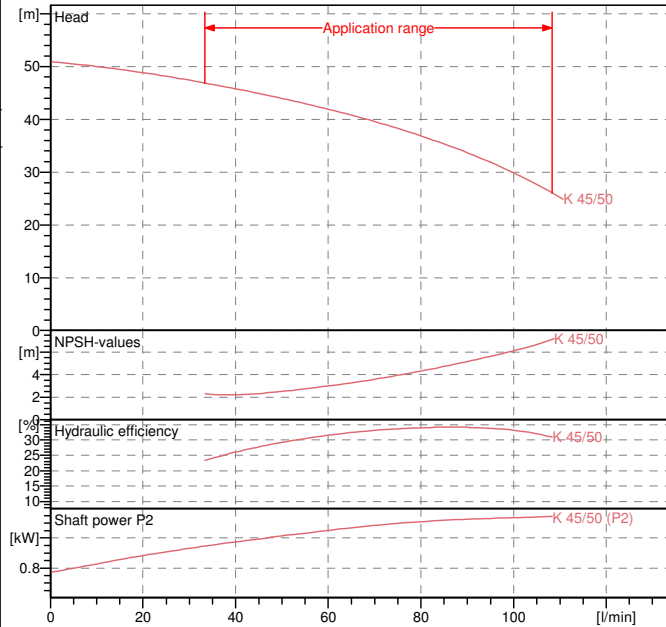
 Flow : 0.00 l/min  
 Head : 0.00 m  
 Fluid : Water  
 Fluid Temperature : 20 °C  
 Density : 62.315 lb/ft³  
 Kinematic viscosity : 1.0769E-5 ft²/s  
 Vapor pressure : 2.20 kPa

**Hydraulic data (duty point)**

 Flow :  
 Head :  
 NPSH :  
 Shaft power P2 :  
 Efficiency :

**Materials**

 Pump body : Cast iron 200 UNI ISO 185  
 Support : Cast iron 200 UNI ISO 185  
 Impeller : Technopolymer A  
 Mechanical seal : Carbon/Ceramic  
 OR ring : NBR Rubber  
 Shaft with rotor : AISI 303 X10 CrNiS 1809 UNI 6900/71  
 Intermediate cover : Cast iron 200 UNI ISO 185

**Curve tolerance according to ISO 9906**

**Weight :** 51.367 lb

**Motor data**

 Motor brand : DAB  
 Nominal power P2 : 1.1 kW  
 Rated speed : 2850 rpm  
 Rated voltage : 3~ 400 V / 230 V 50 Hz  
 Nominal current : 3.6 / 9 A  
 Degree of protection : IP 44

**Dimensions in mm**

A	370	IØ	11.5
B	210		
C	75		
D	144		
DNA	1"1/4 G		
DNM	1" G		
E	69		
F	15		
G	165		
H	268		
H1	118		
H2	150		

**Pump connection**

 Suction side : 1" 1/4 G / 8 bar (800 kPa)  
 Discharge side : 1" G / 8 bar (800 kPa)



# PERFORMANCE CURVES

2020-04-17

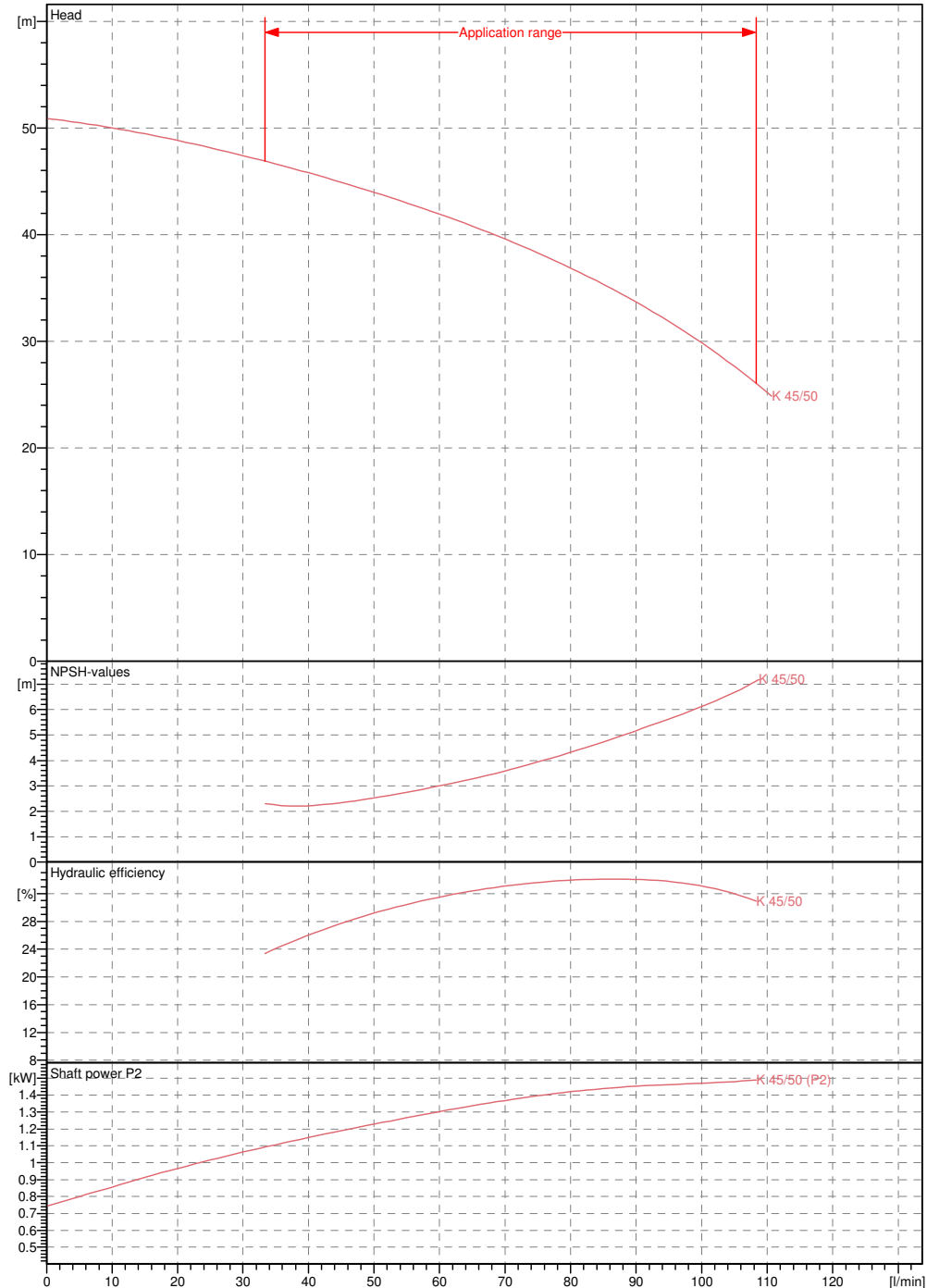
Page 4 / 5

DAB PUMPS S.p.A.  
Via Marco Polo, 14 - 35035 Mestrino (PD), Italy  
Tel. +39 049 5125000 - Fax +39 049 5125950  
www.dabpumps.com

	<b>Receiver</b>	<b>From</b>
Society		-
Reference		-
Address		-
Phone		
Fax		
E-mail		

## K 45/50 T IE3

Curve tolerance according to ISO 9906



Hydraulic data (duty point)

Suction side : 1 " 1/4 G 8 bar (800 kPa)	Discharge side : 1 " G 8 bar (800 kPa)	Flow : 0 l/min	Head : 0 m	Rated speed : 2850 rpm
Project	Project ID	Created by	Created on <b>2020-04-17</b>	



WATER • TECHNOLOGY

# DIMENSIONAL DRAWING

2020-04-17

Page 5 / 5

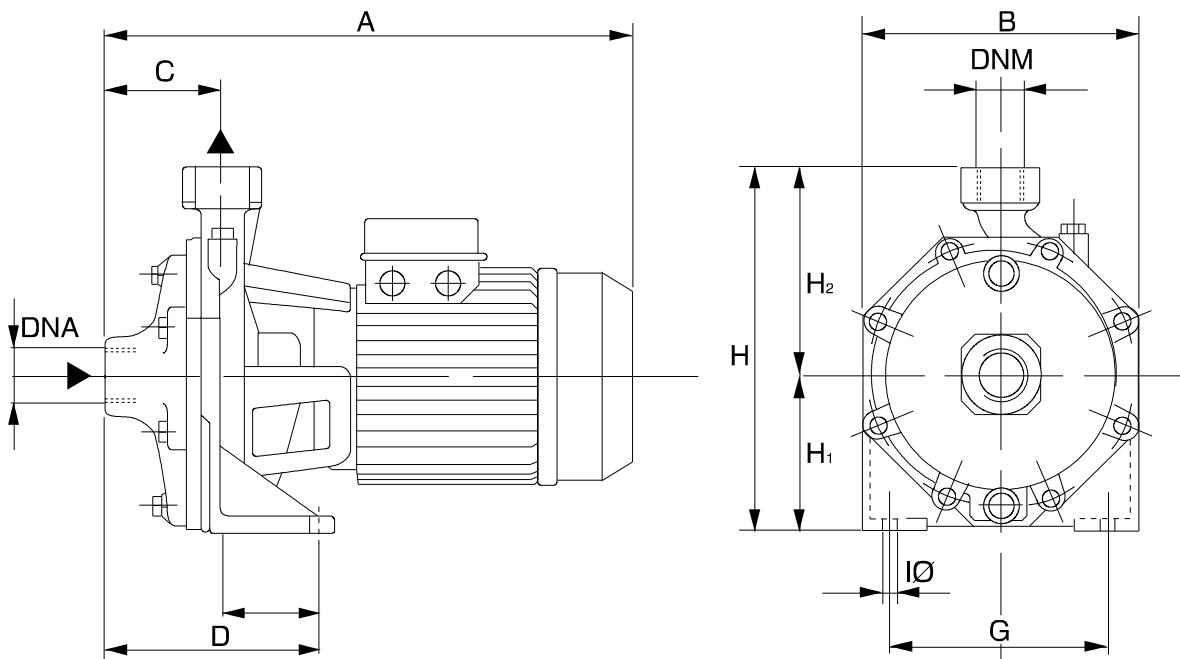
DAB PUMPS S.p.A.  
Via Marco Polo, 14 - 35035 Mestrino (PD), Italy  
Tel. +39 049 5125000 - Fax +39 049 5125950  
www.dabpumps.com

Receiver

From

Society  
Reference  
Address  
Phone  
Fax  
E-mail

## K 45/50 T IE3



### Dimensions in mm

1	A	370	H1	118		
2	B	210	H2	150		
3	C	75	Ø	11.5		
4	D	144				
5	DNA	1"1/4 G				
6	DNM	1" G				
7	E	69				
8	F	15				
9	G	165				
10	H	268				

### Pump connection

Suction  
1" 1/4 G  
8 bar (800 kPa)

Discharge  
1" G  
8 bar (800 kPa)

Project

Project ID

Created by

Created on

2020-04-17