

Receiver
From

 Society
 Reference
 Address
 Phone
 Fax
 E-mail

Item n° :
 60112936

Model :
 VA 55/130

Pump data

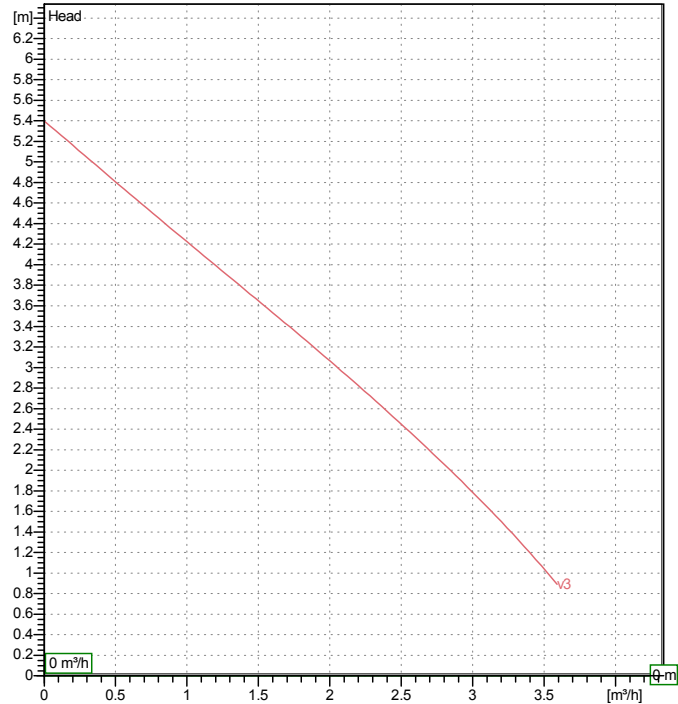
 Pressure rating : 10 bar (1000 KPa)
 Min. fluid temperature : -10 °C
 Max. fluid temperature : 110 °C

Minimum suction head :

 Temperature °C
 Minimum suction head : m

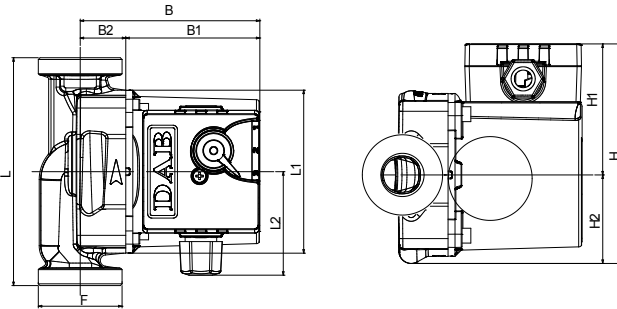
Requested data

 Flow : 0.00 m³/h
 Head : 0.00 m
 Fluid (%) : Water, pure
 Fluid Temperature : 20 °C
 Density : 998.3 kg/m³
 Kinematic viscosity : 1.005 mm²/s
 Vapor pressure : 100.00 kPa

Curve tolerance according to ISO 9906

Hydraulic data (duty point)

 Flow :
 Head :

Materials

 Pump body : Cast iron
 Impeller : Technopolymer
 Motor shaft : Stainless steel
 Air vent plug : Brass
 Seal ring : Etyilene propylene
 Motor casing : Die cast aluminium
 Stator jacket : Stainless steel

Motor data

 Motor brand : DAB
 Power input P1 : 0.07 kW
 Rated speed : 2400 rpm
 Rated voltage : 1~ 230 V 50 Hz
 Nominal current : 0.3 A
 Degree of protection : IP 44

Dimensions in mm

B	104	H	124	L1	98
B1	78	H1	75	L2	60
B2	26	H2	49		
F	1" 1/2	L	130		

Weight : 2.5 kg

Pump connection

 Suction side : 1" 1/2 G 10 bar (1000 KPa)
 Discharge side : 1" 1/2 G 10 bar (1000 KPa)



WATER • TECHNOLOGY

PERFORMANCE CURVES

08/01/2015

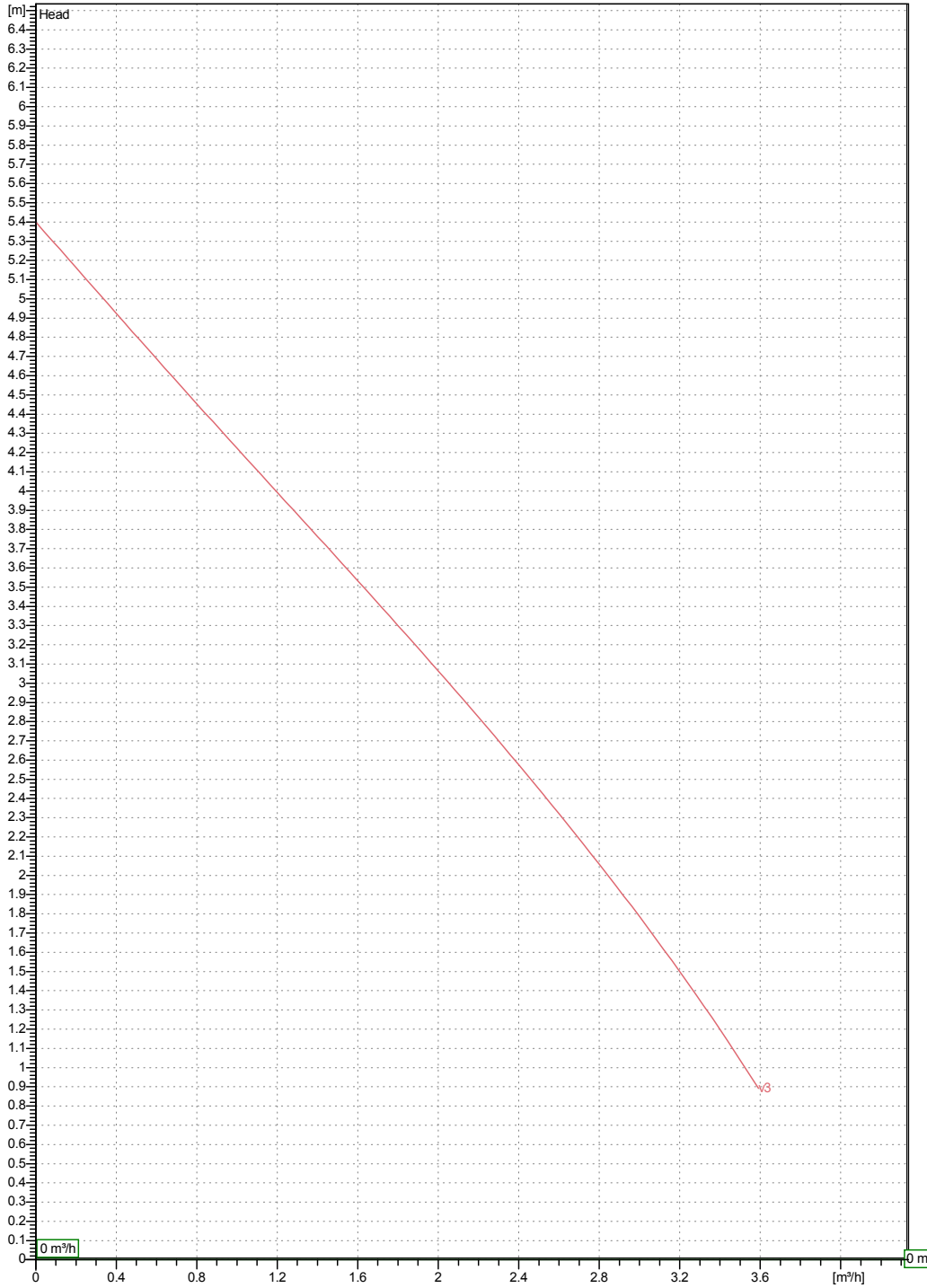
Page 2 / 3

DAB PUMPS S.p.A.
Via Marco Polo, 14 - 35035 Mestrino (PD), Italy
Tel. +39 049 5125000 - Fax +39 049 5125950
www.dabpumps.com

Society Reference Address Phone Fax E-mail	Receiver	From

VA 55/130

Curve tolerance according to ISO 9906



Hydraulic data (duty point)

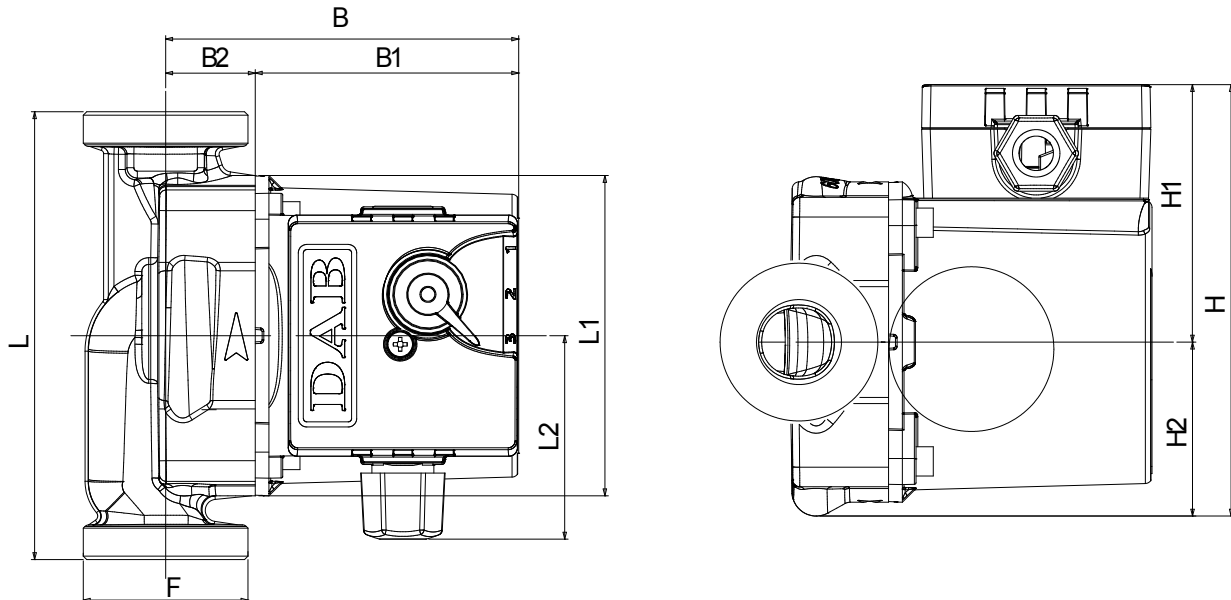
Suction side 1 " 1/2 G 10 bar (1000 KPa)	Discharge side 1 " 1/2 G 10 bar (1000 KPa)	Flow : 0 m³/h	Head : 0 m	Rated speed : 2400 rpm
Project	Project ID	Created by	Created on 08/01/2015	

Receiver

From

Society
 Reference
 Address
 Phone
 Fax
 E-mail

VA 55/130


Dimensions in mm

1	B	104
2	B1	78
3	B2	26
4	F	1" 1/2
5	H	124
6	H1	75
7	H2	49
8	L	130
9	L1	98
10	L2	60

Pump connection

Suction
 1 " 1/2 G
 10 bar (1000 KPa)

Discharge
 1 " 1/2 G
 10 bar (1000 KPa)

Project

Project ID

Created by

Created on

08/01/2015