

**DAVEY**

**Hurricane®**



## SPORT AND LEISURE

### APPLICATION

Ideal for swim jet installations in fibreglass pools for sport and rehabilitation purposes.

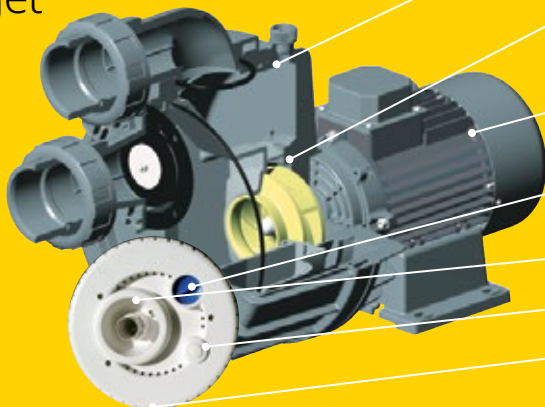
### COUNTER-CURRENT SWIM SYSTEM – TURNS YOUR POOL INTO A SPORT AND LEISURE ZONE

- Double insulated to water circuit and provided with an Equipotential Bonding Point for AS/NZ 3000 wiring standards
- Maximises the value and enjoyment of your pool
- High powered pump provides a high flow jet of water to swim against
- Swim jet controlled by air switch on swim jet. No need to leave the pool to turn on or off
- Turbo swim jet outlet provides 3 settings for jet flow control
- Simple installation of swim jet – only one hole required for both suction and return points
- Designed for dependability and long life using corrosion resistant, UV stabilised materials
- Self priming up to 4 metres for easy operation and installation
- Stainless steel pump shaft suited for salt chlorinated pools
- 65mm barrel unions for easy installation to large OD pipe
- 65-80mm PVC adaptors also available for easy connection to DN80 pipe – M3689

DAVEY

# Hurricane®

## Turbo Pump & Swim Jet



**Corrosion resistant body, foot and diffuser** from glass-filled polypropylene construction

**Stainless steel motor shaft** for corrosion resistance in salt water pools. Carbon / Ceramic mechanical seal.

**Double insulated to water circuit** with Equipotential Bonding Point

**Air Mixture Dial** regulates jet bubbles through outlet adjustment

**Adjustable jet stream nozzle**

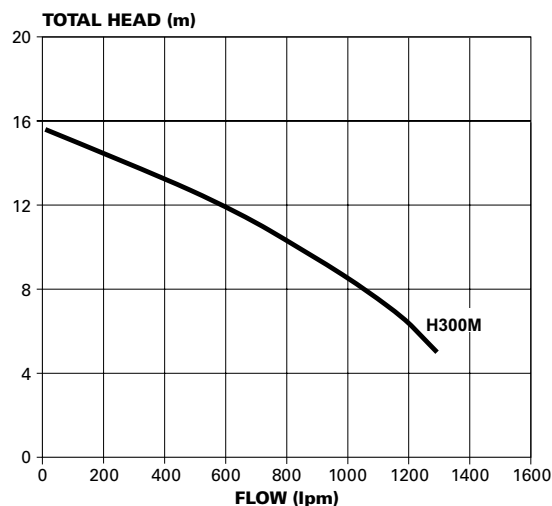
**Air switch** to activate pump from pool

**Integrated suction and return-jet**

### ELECTRICAL DATA

Model	H300M
Voltage	220-250V
Phase	Single
Supply frequency	50Hz
Run current	12.5A
Motor input power	3000W
Motor output power	2300W
RPM	2900
Enclosure class (IP)	55
Insulation class	F
Approval No.	W2442

### HYDRAULIC PERFORMANCE

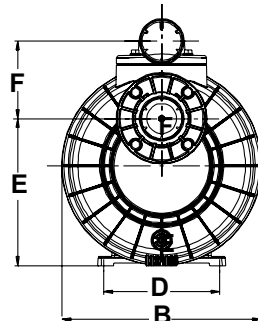
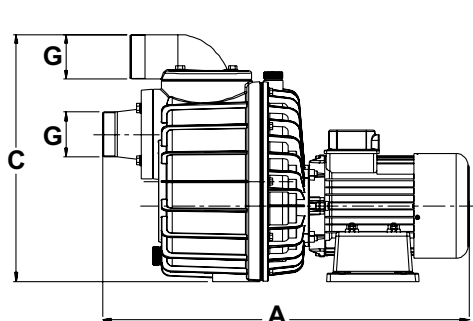


### OPERATING LIMITS

Max. water temperature	Max. ambient temperature
35°C	50°C

### DIMENSIONS (mm)

Model	A	B	C	D	E	F	G	Net Weight (kg)
H300M	6155	335	414.6	195	247	130	65	26



daveywater.com

This literature is not a complete guide to product usage. Further information is available from your Davey Dealer, Davey Support Centre and from the relevant product Installation and Operating Instructions. Must be read in conjunction with the relevant product Installation and Operating Instructions and all applicable statutory requirements. Product specifications may change without notice. © Davey is a registered trademark of Davey Water Products Pty Ltd. © Davey Water Products Pty Ltd 2020.

# DAVEY