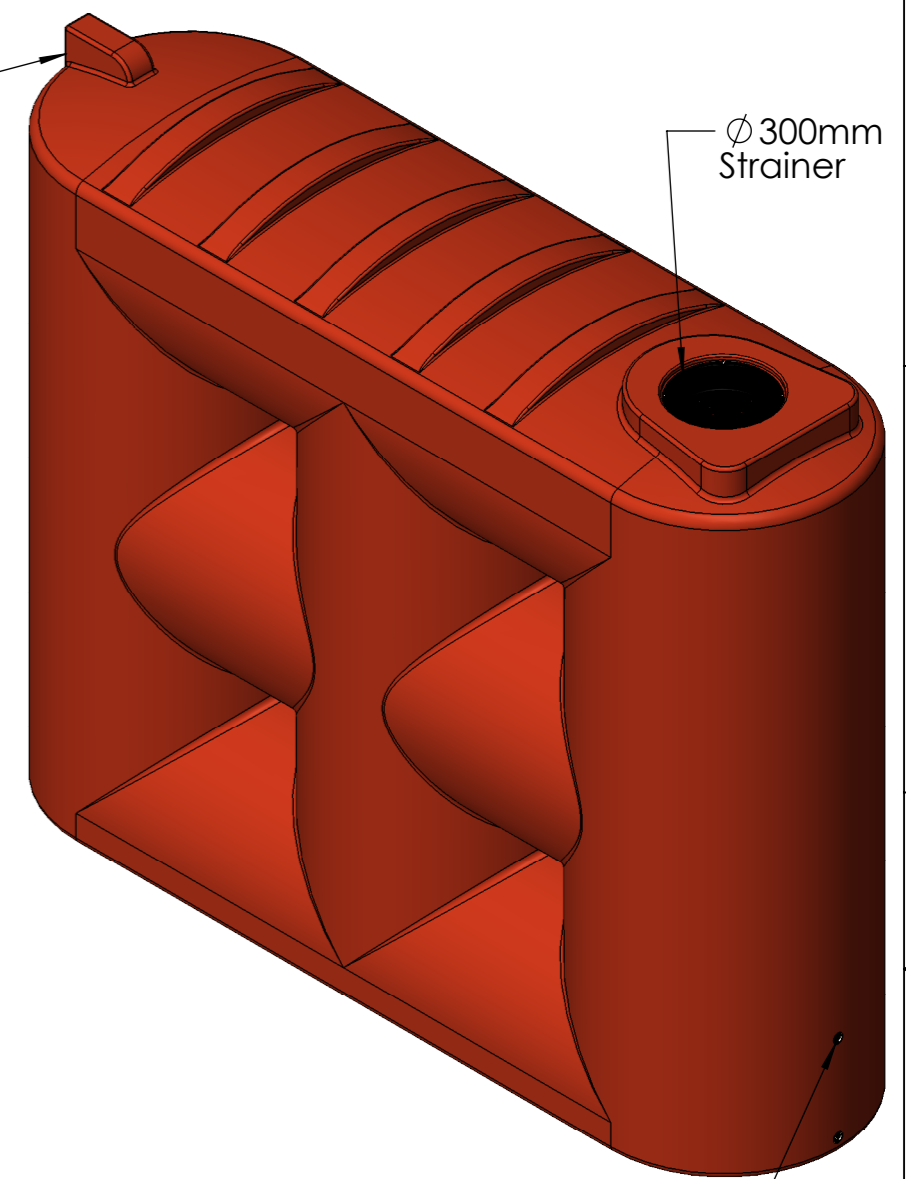
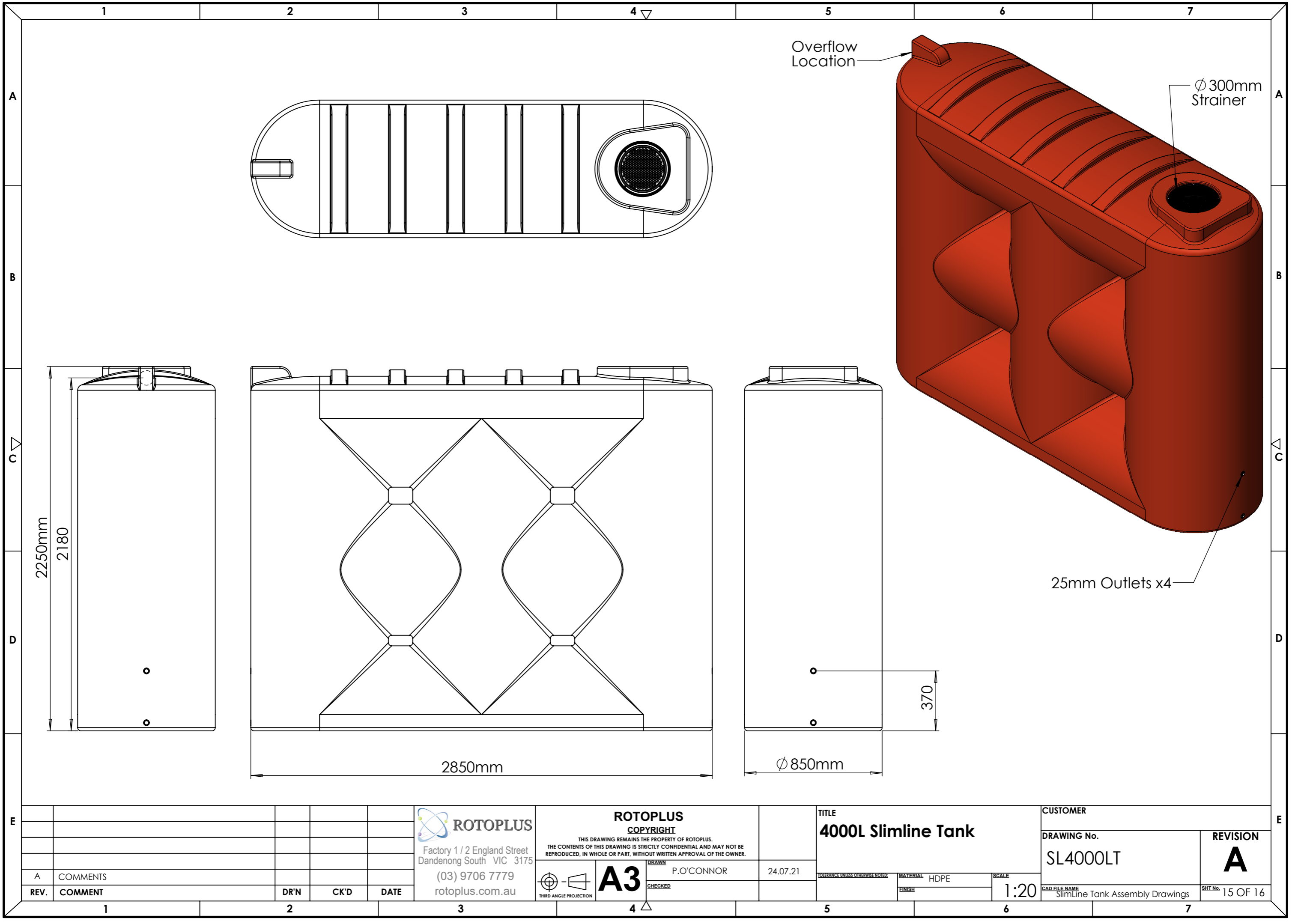
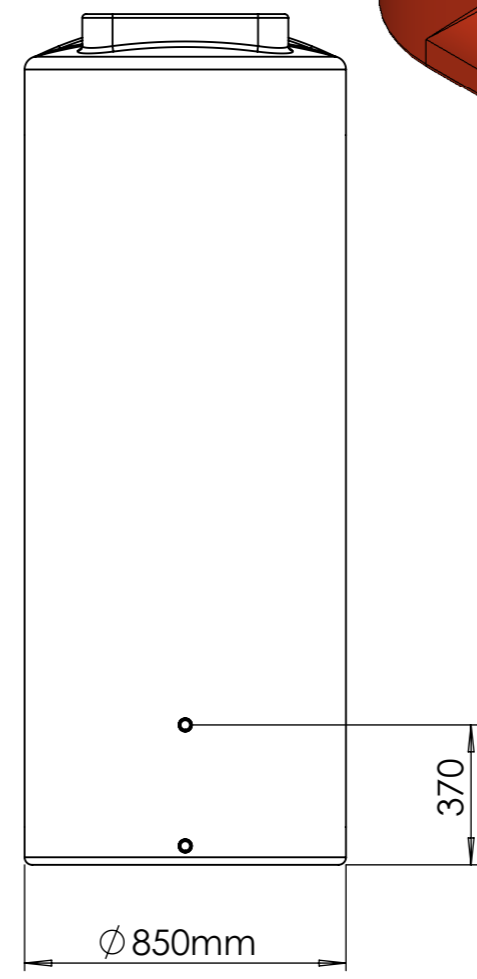
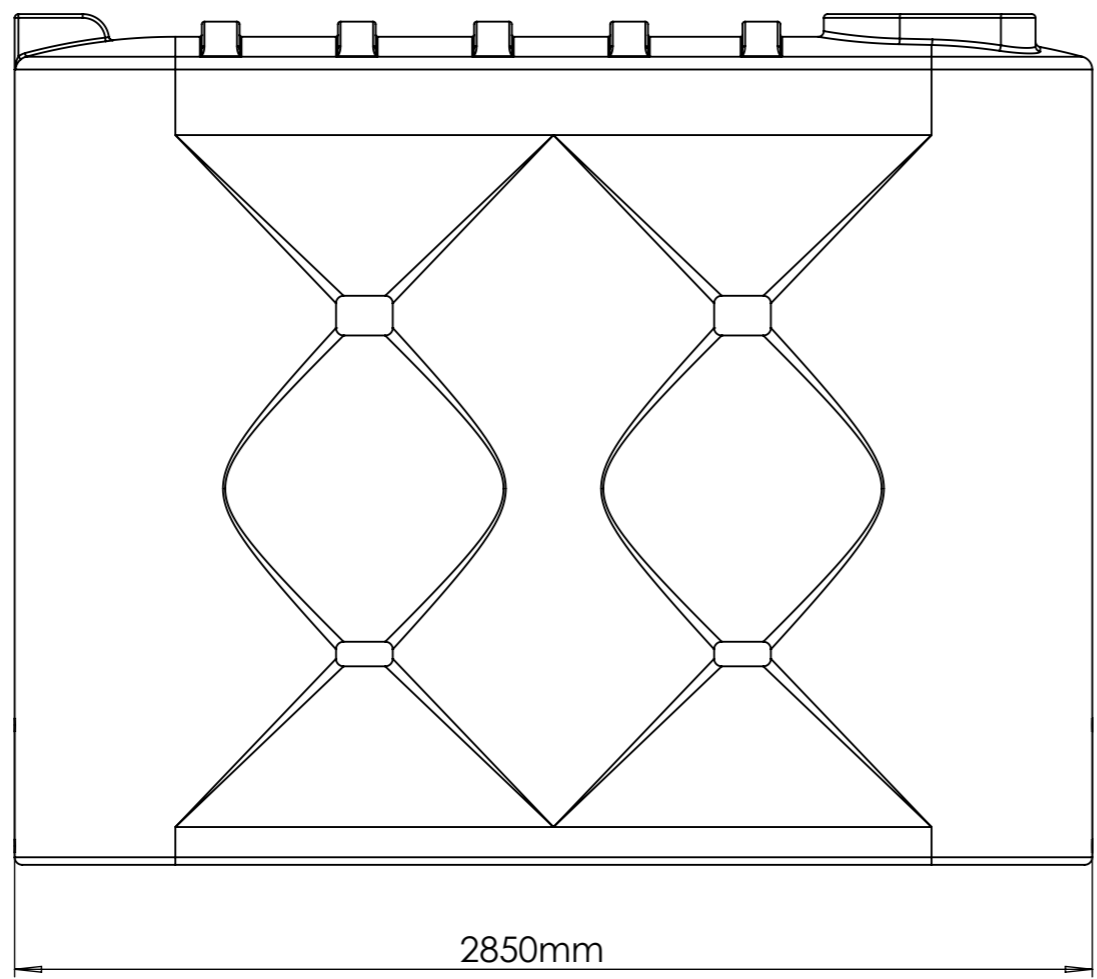
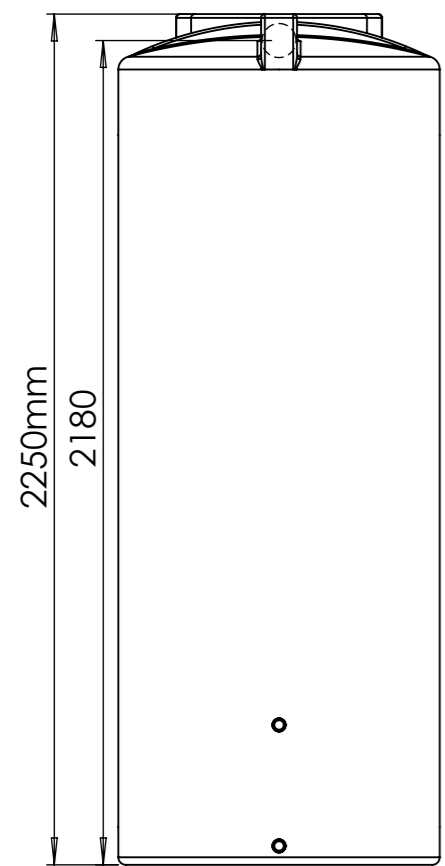


Overflow Location

Ø 300mm Strainer



25mm Outlets x4



ROTOPLUS
 Factory 1 / 2 England Street
 Dandenong South VIC 3175
 (03) 9706 7779
 rotoplus.com.au

ROTOPLUS
 COPYRIGHT
 THIS DRAWING REMAINS THE PROPERTY OF ROTOPLUS.
 THE CONTENTS OF THIS DRAWING IS STRICTLY CONFIDENTIAL AND MAY NOT BE
 REPRODUCED, IN WHOLE OR PART, WITHOUT WRITTEN APPROVAL OF THE OWNER.

A3
 DRAWN P.O'CONNOR 24.07.21
 CHECKED

TITLE
4000L Slimline Tank

TOLEZANCE UNLESS OTHERWISE NOTED: MATERIAL HDPE SCALE 1:20
 FINISH

CUSTOMER
 DRAWING No. SL4000LT REVISION **A**

CAD FILE NAME: SlimLine Tank Assembly Drawings SHEET No. 15 OF 16

REV.	COMMENT	DR'N	CK'D	DATE
A	COMMENTS			