

**ONGA®**

## BLAZEMASTER SERIES

### BRIGGS & STRATTON ENGINE DRIVE PUMPS

#### SINGLE & TWIN IMPELLER PUMPS



B55BS



#### FEATURES

Lightweight high grade corrosion resistant materials.

Large pump casing with raised suction port and inbuilt non-return valve for better priming capabilities.

Computational Fluid Dynamics designed hydraulic components for higher performance and efficiency.

Strong and durable construction.

Max. head - 107m.

Max. flow - 740lpm.

#### APPLICATIONS

- Fire fighting.
- Tank filling.
- Water transfer.
- Irrigation and spraying.

#### PUMP INFORMATION

Horizontal, single-stage or twin-stage, surface mounted centrifugal pump with closed impeller/s for pumping debris free water coupled to a Briggs & Stratton Intek I/C 5HP, 6HP, 8HP or 10HP engine.

#### OPERATING CONDITIONS

Suitable for pumping clean non-aggressive liquids without solids or fibres in suspension.

|                              |          |
|------------------------------|----------|
| Fluid:                       | Water.*  |
| Maximum water temperature:   | 55°C.    |
| Minimum water temperature:   | 1°C.     |
| Maximum ambient temperature: | 40°C.**  |
| Maximum casing pressure:     | 1300kPa. |

\*For liquids outside of this range please consult your local Onga office for product suitability.

Viton seal kit available as replacement service part.

\*\*Engine performance greatly reduced with increased ambient temperature and/or altitude, clarify with Engine Manufacturer.

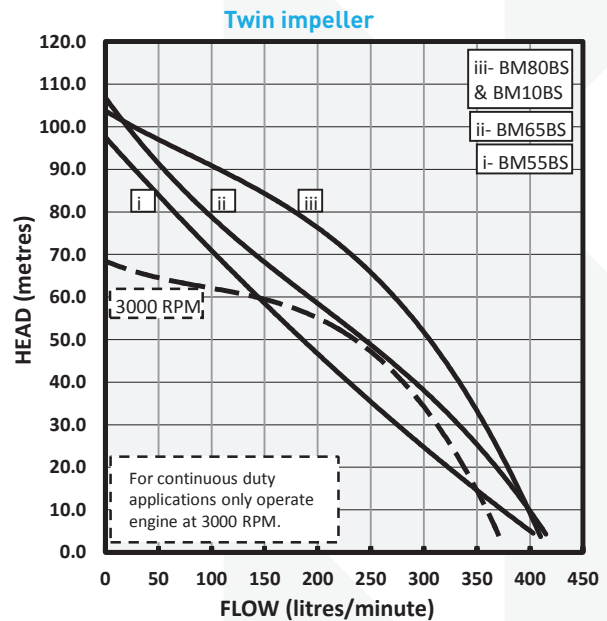
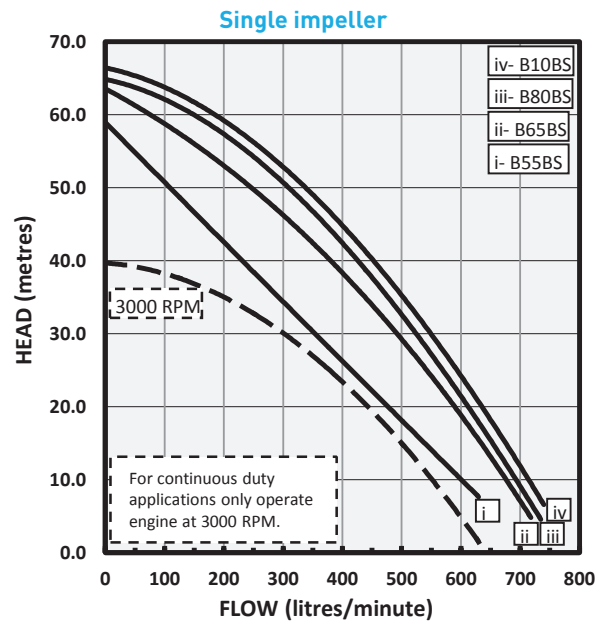
## ENGINE DATA

| Type   | Engine | Model     | Nominal HP | Displacement CC | Continuous duty | Fuel tank capacity | Fuel   | Fuel consumption @ 3600 RPM | Recommended oil type | Oil capacity |
|--------|--------|-----------|------------|-----------------|-----------------|--------------------|--------|-----------------------------|----------------------|--------------|
| B55BS  | B&S    | Intek I/C | 5          | 205             | 3000 RPM        | 3 litres           | Petrol | 2.04 litres/hour            | SAE30                | 0.6 litres   |
| B65BS  | B&S    | Intek I/C | 6          | 205             | 3000 RPM        | 3 litres           | Petrol | 2.11 litres/hour            | SAE30                | 0.6 litres   |
| B80BS  | B&S    | Intek I/C | 8          | 305             | 3000 RPM        | 3 litres           | Petrol | 3.21 litres/hour            | SAE30                | 0.83 litres  |
| B10BS  | B&S    | Intek I/C | 10         | 305             | 3000 RPM        | 3 litres           | Petrol | 3.63 litres/hour            | SAE30                | 0.83 litres  |
| BM55BS | B&S    | Intek I/C | 5          | 205             | 3000 RPM        | 3 litres           | Petrol | 2.04 litres/hour            | SAE30                | 0.6 litres   |
| BM65BS | B&S    | Intek I/C | 6          | 205             | 3000 RPM        | 3 litres           | Petrol | 2.11 litres/hour            | SAE30                | 0.6 litres   |
| BM80BS | B&S    | Intek I/C | 8          | 305             | 3000 RPM        | 3 litres           | Petrol | 3.21 litres/hour            | SAE30                | 0.83 litres  |
| BM10BS | B&S    | Intek I/C | 10         | 305             | 3000 RPM        | 3 litres           | Petrol | 3.63 litres/hour            | SAE30                | 0.83 litres  |

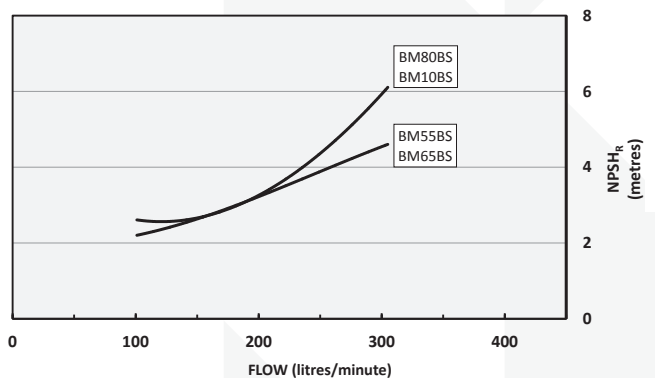
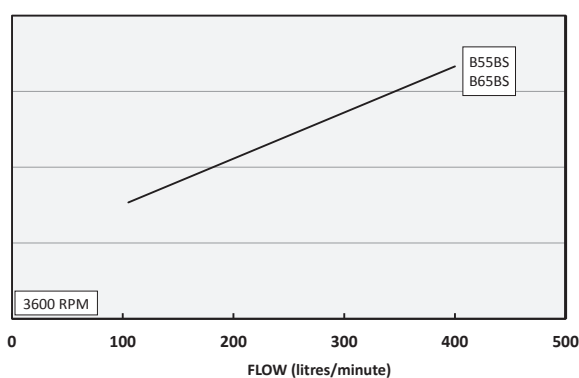
## PERFORMANCE

| Type   | P/No   | Delivery head H [m]             | 10  | 20  | 30  | 40  | 50  | 60  | 70  | 80  | 90  | 100 |
|--------|--------|---------------------------------|-----|-----|-----|-----|-----|-----|-----|-----|-----|-----|
| B55BS  | B55BS  | Capacity<br>[litres per minute] | 600 | 477 | 355 | 230 | 113 | -   | -   | -   | -   | -   |
| B65BS  | B65BS  |                                 | 670 | 592 | 495 | 375 | 241 | 76  | -   | -   | -   | -   |
| B80BS  | B80BS  |                                 | 694 | 609 | 521 | 430 | 308 | 146 | -   | -   | -   | -   |
| B10BS  | B10BS  |                                 | 712 | 640 | 550 | 456 | 343 | 188 | -   | -   | -   | -   |
| BM55BS | BM55BS |                                 | 375 | 323 | 274 | 227 | 184 | 142 | 105 | 63  | 28  | -   |
| BM65BS | BM65BS |                                 | 400 | 370 | 333 | 290 | 246 | 192 | 139 | 96  | 55  | 23  |
| BM80BS | BM80BS |                                 | 400 | 379 | 356 | 334 | 306 | 272 | 230 | 178 | 108 | 27  |
| BM10BS | BM10BS |                                 | 400 | 379 | 356 | 334 | 306 | 272 | 230 | 178 | 108 | 27  |

## PERFORMANCE CURVE



## NPSHR

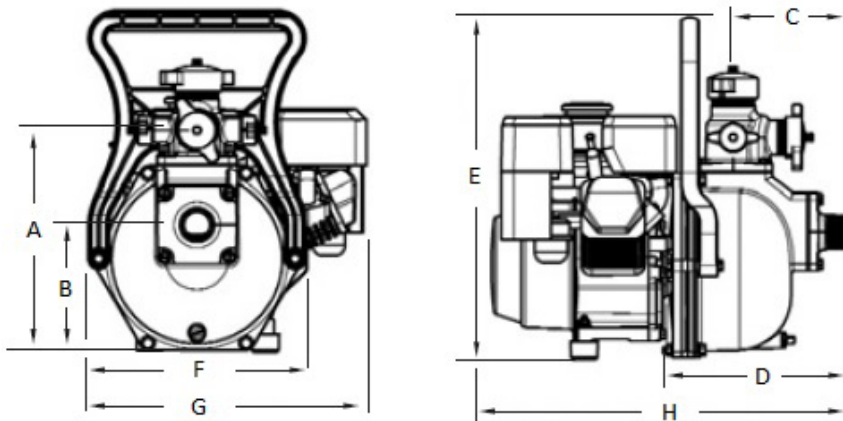


## PUMP CONSTRUCTION MATERIALS

| Component              | Material                |
|------------------------|-------------------------|
| Pump casing            | Powder coated Aluminium |
| Impeller/s             | 30% Glass Filled Nylon  |
| Diffuser               | Aluminium               |
| Priming/discharge caps | Glass Filled Nylon      |
| Seal flexible bellows  | Nitrile                 |
| Seal stationary face   | Ceramic                 |
| Seal rotating face     | Carbon                  |
| Seal spring            | Stainless Steel         |
| Motor shaft            | Mild Steel              |
| O'Rings                | Nitrile                 |

## DIMENSIONS

| Type           | Inlet          | Outlets                | Carton L x W x H   | Packed weight |
|----------------|----------------|------------------------|--------------------|---------------|
| <b>B55BS</b>   | 1½" BSP (male) | 1", 1", 1½" BSP (male) | 620 x 465 x 550 mm | 29 kg         |
| <b>B65BS</b>   | 2" BSP (male)  | 1", 1", 2" BSP (male)  | 620 x 465 x 550 mm | 29 kg         |
| <b>B80BS</b>   | 2" BSP (male)  | 1", 1", 2" BSP (male)  | 640 x 560 x 550 mm | 40 kg         |
| <b>B10BS</b>   | 2" BSP (male)  | 1", 1", 2" BSP (male)  | -                  | -             |
| <b>BM55BS</b>  | 1½" BSP (male) | 1", 1", 1½" BSP (male) | 620 x 490 x 560 mm | 30 kg         |
| <b>BM65BS</b>  | 2" BSP (male)  | 1", 1", 2" BSP (male)  | 620 x 490 x 560 mm | 30 kg         |
| <b>BM80BS</b>  | 2" BSP (male)  | 1", 1", 2" BSP (male)  | 660 x 560 x 550 mm | 42 kg         |
| <b>BM10BSE</b> | 2" BSP (male)  | 1", 1", 2" BSP (male)  | -                  | -             |



| Type          | A (mm) | B (mm) | C (mm) | D (mm) | E (mm) | F (mm) | G (mm) | H (mm) |
|---------------|--------|--------|--------|--------|--------|--------|--------|--------|
| <b>B55BS</b>  | 320    | 186    | 166    | 253    | 481    | 392    | 304    | 505    |
| <b>B65BS</b>  | 322    | 188    | 166    | 253    | 483    | 396    | 304    | 514    |
| <b>B80BS</b>  | 323    | 189    | 166    | 253    | 443    | 424    | 287    | 584    |
| <b>B10BS</b>  | 316    | 182    | 166    | 271    | 484    | -      | -      | -      |
| <b>BM55BS</b> | 320    | 186    | 166    | 253    | 481    | 392    | 304    | 505    |
| <b>BM65BS</b> | 322    | 188    | 166    | 253    | 483    | 396    | 304    | 514    |
| <b>BM80BS</b> | 323    | 189    | 166    | 253    | 443    | 424    | 287    | 584    |
| <b>BM10BS</b> | 316    | 182    | 166    | 253    | 484    | -      | -      | -      |



Head Office Pentair AU/NZ: 1-21 Monash Drive, Dandenong South, VIC 3175, Australia. [www.pentair.com.au](http://www.pentair.com.au)

All Pentair trademarks and logos are owned by Pentair, Ltd. All other brand or product names are trademarks or registered marks of their respective owners. Because we are continuously improving our products and services, Pentair reserves the right to change specifications without prior notice.

Pentair is an equal opportunity employer.

ABN 27 004 856 204 © 2012 Pentair, Ltd. All Rights Reserved.

© 2015 Pentair