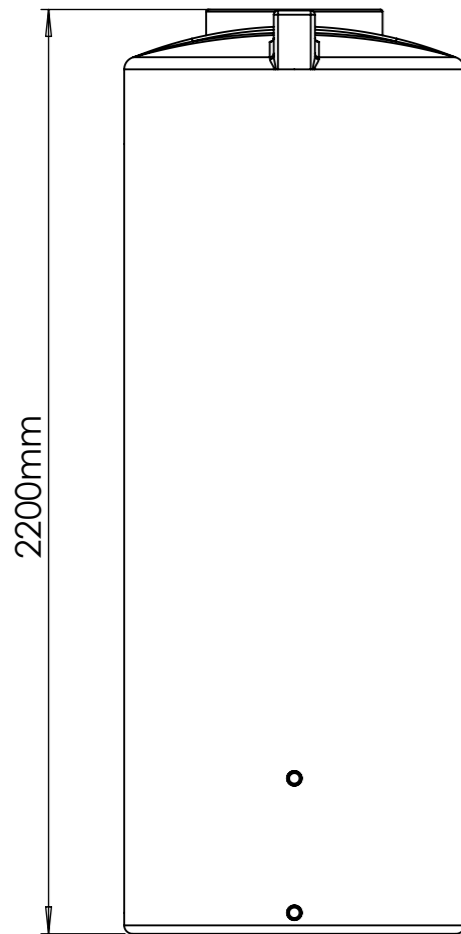


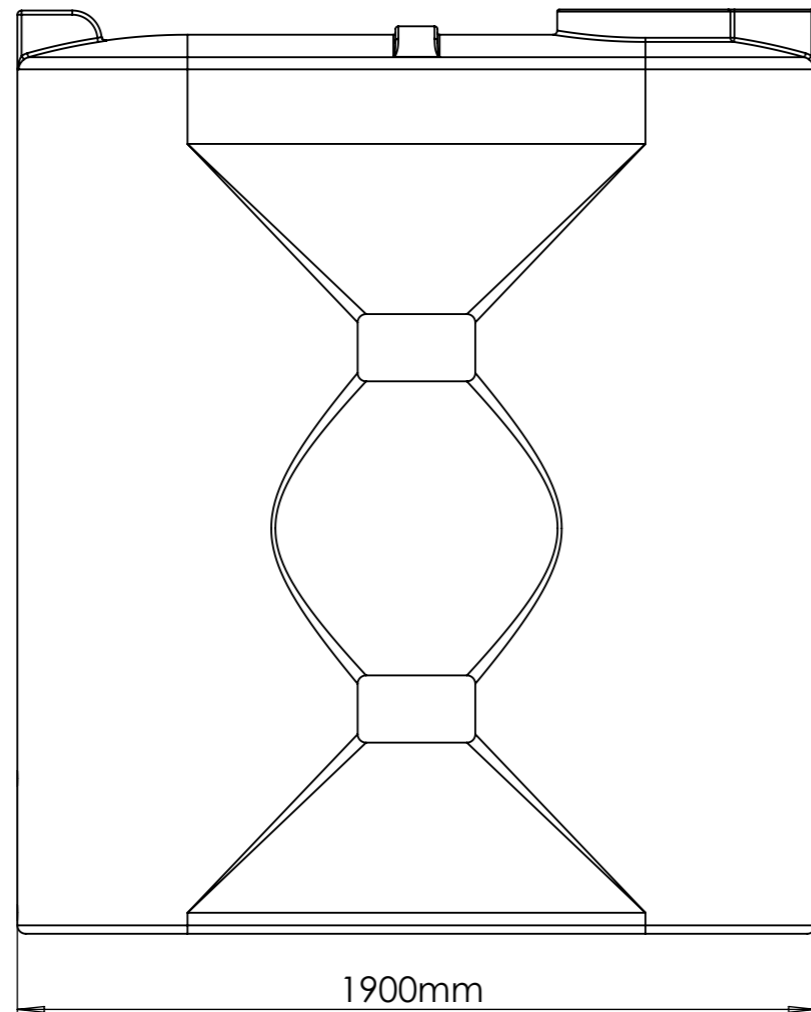
Overflow Location

Ø 300mm Strainer

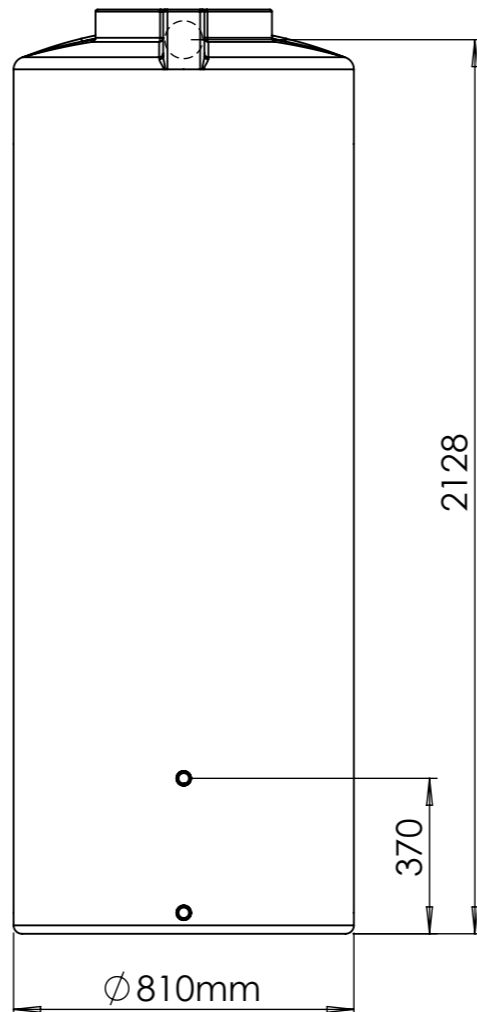
Overflow Location



2200mm



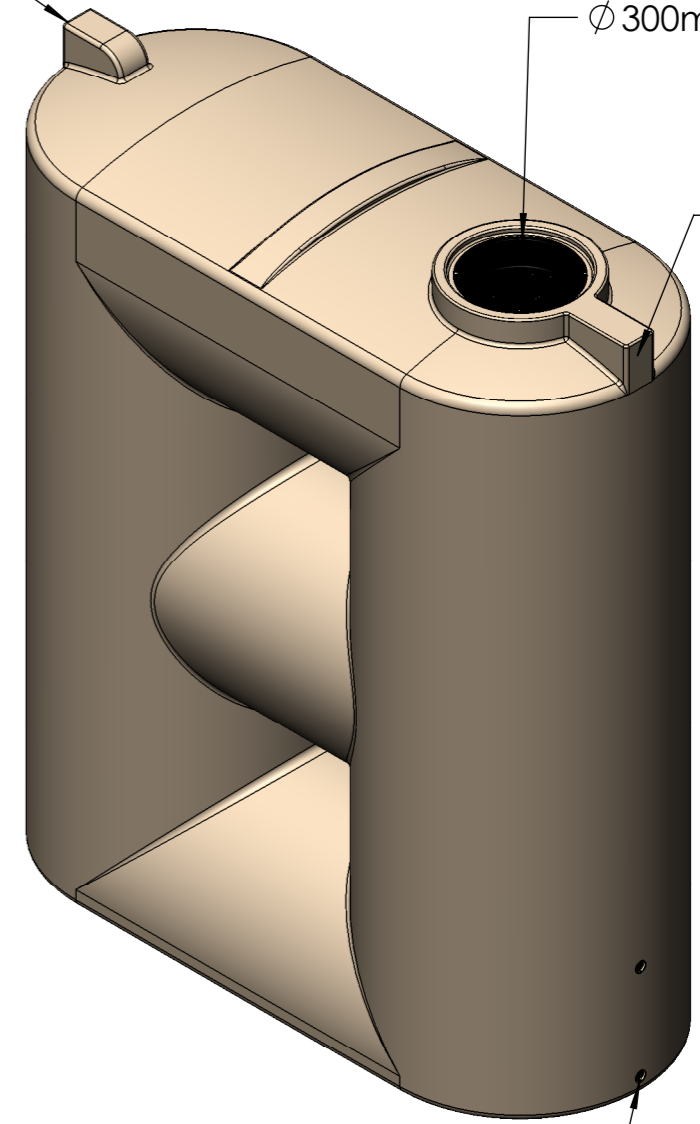
1900mm



2128

Ø 810mm

370



25mm Outlets x4

ROTOPLUS
 Factory 1 / 2 England Street
 Dandenong South VIC 3175
 (03) 9706 7779
 rotoplus.com.au

ROTOPLUS
 COPYRIGHT
 THIS DRAWING REMAINS THE PROPERTY OF ROTOPLUS.
 THE CONTENTS OF THIS DRAWING IS STRICTLY CONFIDENTIAL AND MAY NOT BE
 REPRODUCED, IN WHOLE OR PART, WITHOUT WRITTEN APPROVAL OF THE OWNER.

A3
 THIRD ANGLE PROJECTION

DRAWN P.O'CONNOR 25.03.22
 CHECKED

TITLE
2500L Super Short Slimline Tank

TOLERANCE UNLESS OTHERWISE NOTED: MATERIAL HDPE FINISH SCALE 1:18

CUSTOMER
 DRAWING No. SL2500SSB REVISION **A**

CAD FILE NAME SlimLine Tank Assembly Drawings SHT.No. 6 OF 18

REV.	COMMENT	DR'N	CK'D	DATE
1				