



Company name: ASC Water Tanks
Created by: Anant Yuvarajah
Phone: (03) 8795 7715
Email: sales@asc tanks.com.auy
Date: 26/04/2020

Qty. Description

1 CMB 3-37 A-C-A-A-A-A



Note! Product picture may differ from actual product

Product No.: [97530133](#)

The Grundfos CM Booster with pressure manager PM1 is a compact booster set for water supply in domestic applications. The pressure booster unit consists of a Grundfos CM pump and a Grundfos pressure manager PM1. The pressure manager allows the pump to start and stop automatically according to demand and protects the pump from dry running. The CM Booster is very easy to install. When the booster has been connected to the pipework, it is all a matter of plugging the plug into a socket, and the system is operational.

Features

- compact
- easy installation
- dry-running protection
- anti cycling (leakage detection).

Applications

Grundfos CM PM1 Booster is mainly used for domestic and light commercial water supply or booster systems.

NB:

Suction lift: Max. 1 m, including suction-pipe pressure loss at a liquid temperature of +20 °C. (not self-priming)

Liquid:

Pumped liquid: Water
Liquid temperature range: 0 .. 60 °C
Selected liquid temperature: 20 °C
Density: 998.2 kg/m³

Technical:

Pump speed on which pump data are based: 2900 rpm
Rated flow: 51.67 l/min
Rated head: 27.7 m
Primary shaft seal: AVBE
Approvals and markings: CE,C-TICK
Return valve: YES
Start pressure: PM1 - 1.5 bar

Materials:



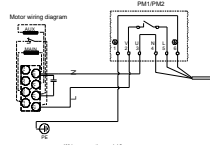
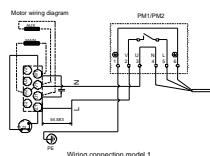
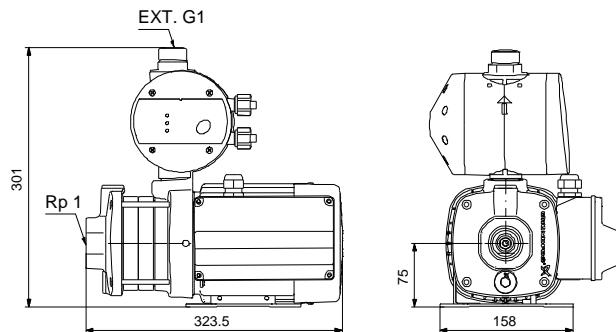
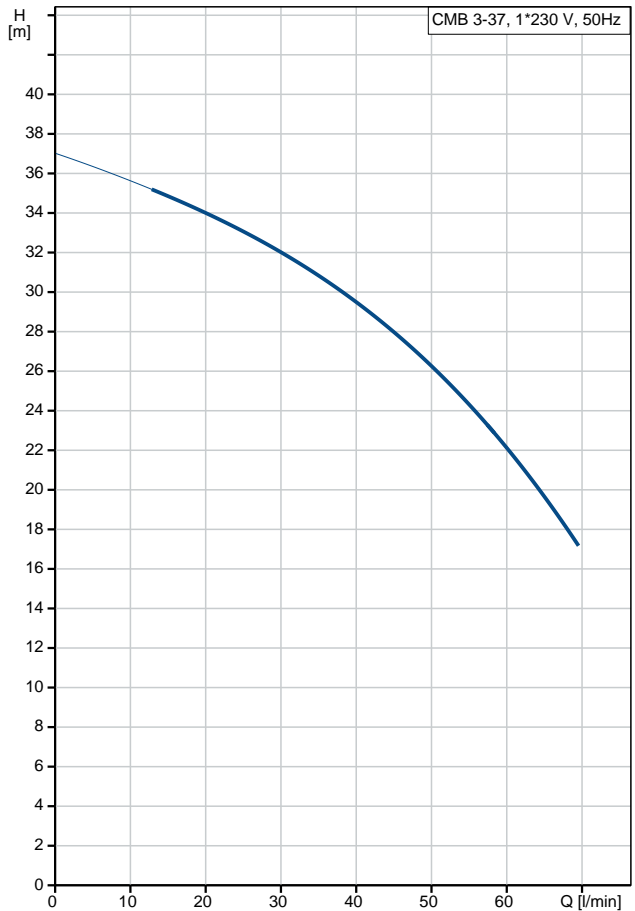
Company name: ASC Water Tanks
Created by: Anant Yuvarajah
Phone: (03) 8795 7715
Email: sales@asc tanks.com.auy
Date: 26/04/2020

Qty.	Description
	<p>Pump housing: Cast iron EN-JL1030 ASTM 30 B</p> <p>Impeller: Stainless steel DIN W.-Nr. 1.4301 AISI 304</p> <p>Rubber: EPDM</p> <p>Installation: Maximum ambient temperature: 55 °C Flange standard: WHITWORTH THREAD RP Pump inlet: Rp 1 Pump outlet: EXT. G1</p> <p>Electrical data: Rated power - P2: 0.5 kW Mains frequency: 50 Hz Rated voltage: 1 x 220-240 V Maximum current consumption: 3.1-2.8 A Rated speed: 2730-2740 rpm Enclosure class (IEC 34-5): IP55 Insulation class (IEC 85): F Type of cable plug: AU Mains cable: 1.5 m</p> <p>Others: Net weight: 13.6 kg Gross weight: 17.1 kg</p>



Company name: ASC Water Tanks
Created by: Anant Yuvarajah
Phone: (03) 8795 7715
Email: sales@asc tanks.com.auy
Date: 26/04/2020

Description	Value
General information:	
Product name:	CMB 3-37 A-C-A-A-A-A
Product No:	97530133
EAN number:	5700317867079
	5700317867079
Technical:	
Pump speed on which pump data are based:	2900 rpm
Rated flow:	51.67 l/min
Rated head:	27.7 m
Impellers:	4
Primary shaft seal:	AVBE
Approvals and markings:	CE,C-TICK
Model:	A
Return valve:	YES
Start pressure:	PM1 - 1.5 bar
Materials:	
Pump housing:	Cast iron
	EN-JL1030
	ASTM 30 B
Impeller:	Stainless steel
	DIN W.-Nr. 1.4301
	AISI 304
Rubber:	EPDM
Installation:	
Maximum ambient temperature:	55 °C
Flange standard:	WHITWORTH THREAD RP
Pump inlet:	Rp 1
Pump outlet:	EXT. G1
Liquid:	
Pumped liquid:	Water
Liquid temperature range:	0 .. 60 °C
Selected liquid temperature:	20 °C
Density:	998.2 kg/m ³
Electrical data:	
Rated power - P2:	0.5 kW
Mains frequency:	50 Hz
Rated voltage:	1 x 220-240 V
Maximum current consumption:	3.1-2.8 A
p max system:	10 bar
Rated speed:	2730-2740 rpm
Enclosure class (IEC 34-5):	IP55
Insulation class (IEC 85):	F
Motor protec:	TP 211
Type of cable plug:	AU
Mains cable:	1.5 m
Others:	
Net weight:	13.6 kg
Gross weight:	17.1 kg

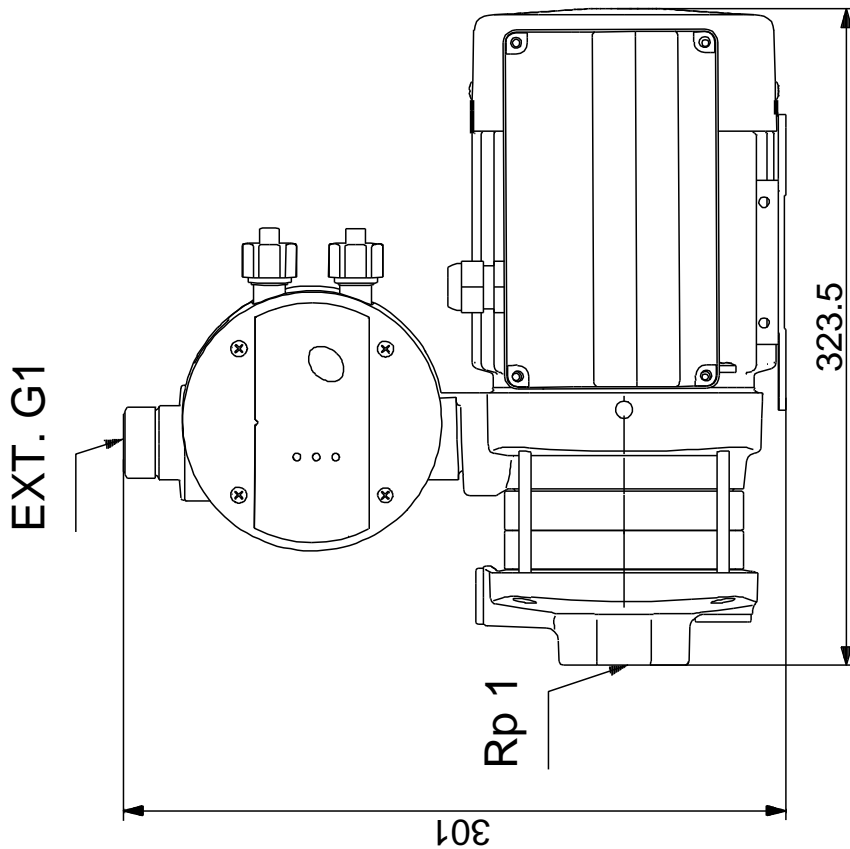
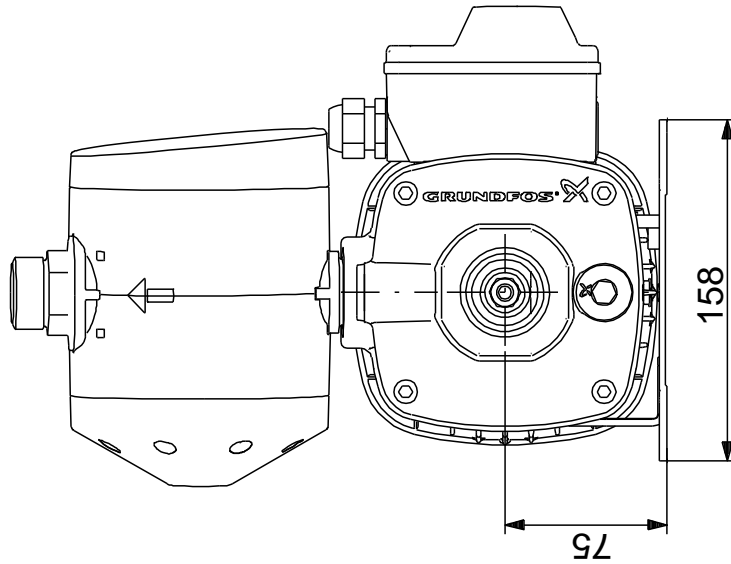


- Australian plug: IEC type I, AS/NZS3112, 1.5 m
- Schuko plug: IEC Type E/F, CEE7/7, 1.5 m
- US plug: IEC type B, NEMA 5-15P, 1.5 m
- NO PLUG, 1.5 m



Company name: ASC Water Tanks
Created by: Anant Yuvarajah
Phone: (03) 8795 7715
Email: sales@asc tanks.com.au
Date: 26/04/2020

97530133 CMB 3-37 A-C-A-A-A-A 50 Hz



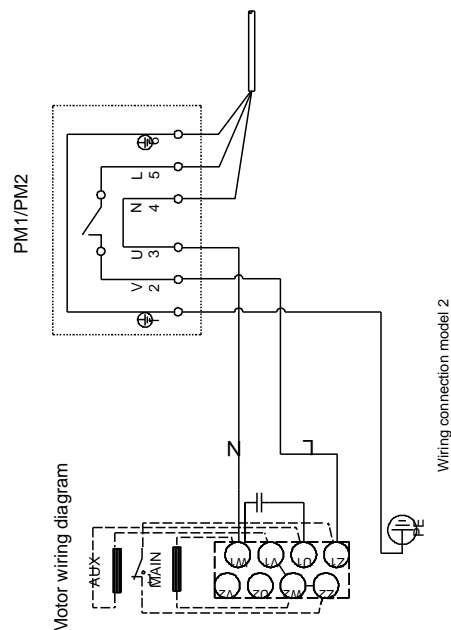
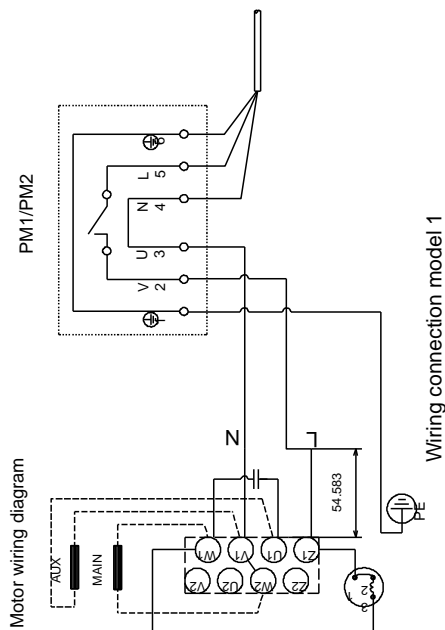
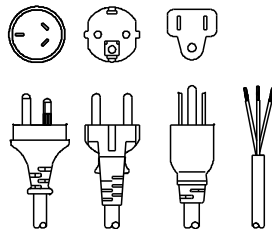
Note! All units are in [mm] unless others are stated.
Disclaimer: This simplified dimensional drawing does not show all details.



Company name: ASC Water Tanks
Created by: Anant Yuvarajah
Phone: (03) 8795 7715
Email: sales@asc tanks.com.auy
Date: 26/04/2020

97530133 CMB 3-37 A-C-A-A-A-A 50 Hz

Australian plug: IEC type I,
 AS/NZS3112, 1,5 m
 Schuko plug: IEC Type E&F,
 CEE7/7, 1,5 m
 US plug: IEC type B, NEMA
 5-15P, 1,5 m
 NO PLUG, 1,5 m



Note! All units are in [mm] unless others are stated.