



**Company name:** ASC Water Tanks  
**Created by:** Anant Yuvarajah  
**Phone:** 03 8795 7715  
**Email:** sales@asc tanks.com.au  
**Date:** 26/04/2020

**Qty. Description**

1 CMB-SP 3-56 I-C-A-A-C-A



Note! Product picture may differ from actual product

Product No.: [98507630](#)

The Grundfos CM Booster self-priming pump with PM2 pressure manager is a compact booster solution for water supply in domestic applications. The pressure booster unit consists of a Grundfos CM self-priming pump and a Grundfos PM2 pressure manager. The pressure manager allows the pump to start and stop automatically according to demand and protects the pump from dry running.

The CM Booster self-priming pump can create a suction lift of up to 8 m, and it is very easy to install. When the booster has been connected to the pipework, just plug it into a socket, and the system is operational.

**Features**

- compact
- easy installation
- self-priming up to 8 m
- automatic resetting of alarms
- dry-running protection
- anti-cycling (leakage detection)
- maximum continuous operating time.

**Applications**

The Grundfos CM Booster self-priming pump with PM2 pressure manager is mainly used for domestic and light commercial water supply or booster systems.

**Liquid:**

Pumped liquid: Water  
Liquid temperature range: 0 .. 60 °C  
Selected liquid temperature: 20 °C  
Density: 998.2 kg/m<sup>3</sup>

**Technical:**

Pump speed on which pump data are based: 2900 rpm  
Rated flow: 50 l/min  
Rated head: 42.1 m  
Primary shaft seal: AVBE  
Approvals and markings: CE,C-TICK,ROHS  
Curve tolerance: ISO9906:2012 3B



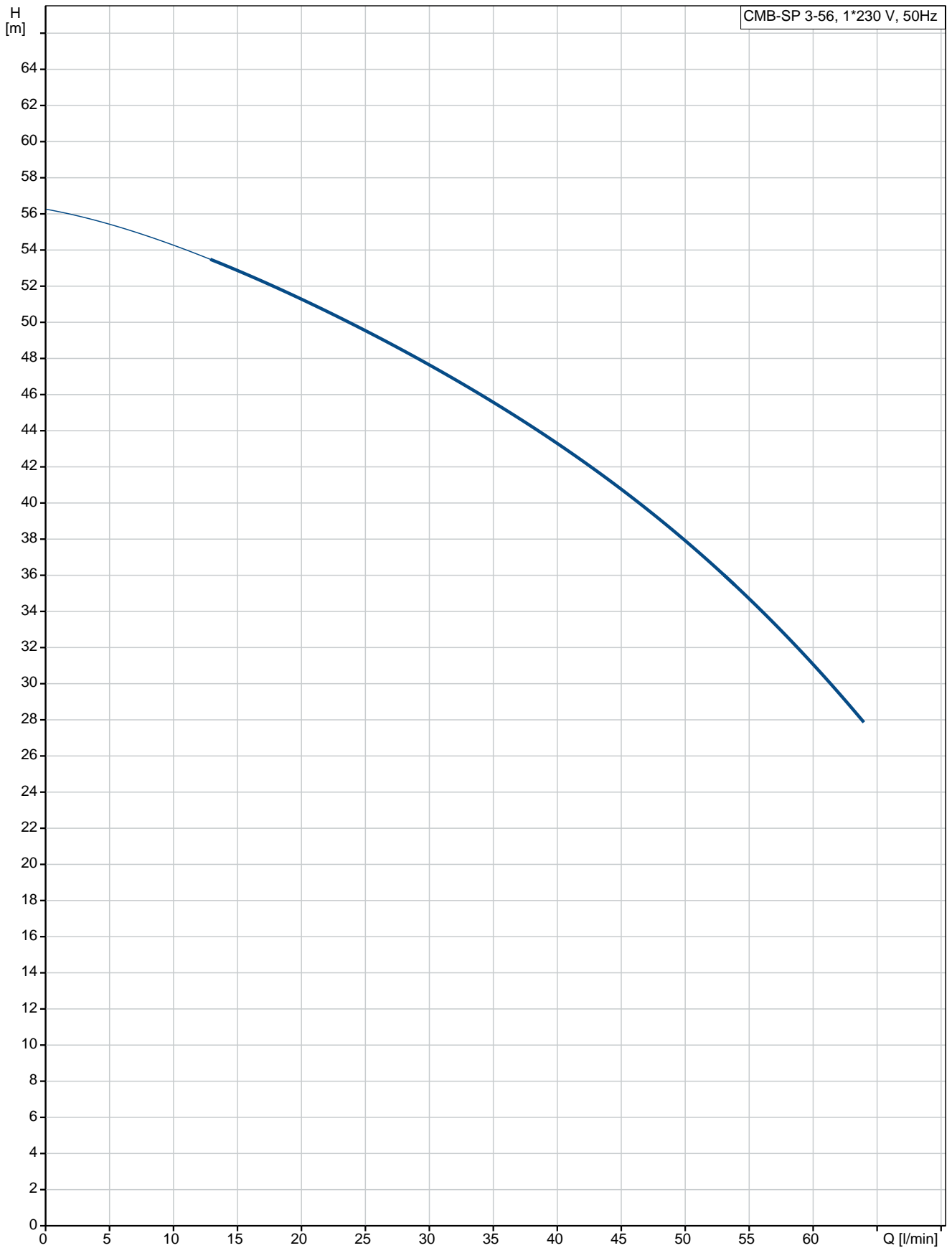
**Company name:** ASC Water Tanks  
**Created by:** Anant Yuvarajah  
**Phone:** 03 8795 7715  
**Email:** sales@asc tanks.com.au  
**Date:** 26/04/2020

Qty.	Description
	Return valve: YES Self-priming: 4 m Start pressure: PM2
	<b>Materials:</b> Pump housing: Stainless steel DIN W.-Nr. 1.4301 AISI 304 Impeller: Stainless steel DIN W.-Nr. 1.4301 AISI 304 Rubber: EPDM
	<b>Installation:</b> Maximum ambient temperature: 55 °C Flange standard: WHITWORTH THREAD RP
	<b>Electrical data:</b> Rated power - P2: 0.67 kW Mains frequency: 50 Hz Rated voltage: 1 x 220-240 V Maximum current consumption: 4.4-4.0 A Rated speed: 2720-2800 rpm Enclosure class (IEC 34-5): IP55 Insulation class (IEC 85): F Type of cable plug: AU Mains cable: 1.5 m
	<b>Others:</b> Net weight: 17.3 kg Gross weight: 22.6 kg



**Company name:** ASC Water Tanks  
**Created by:** Anant Yuvarajah  
**Phone:** 03 8795 7715  
**Email:** sales@asc tanks.com.au  
**Date:** 26/04/2020

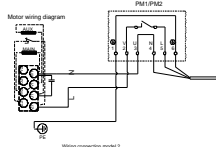
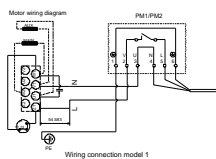
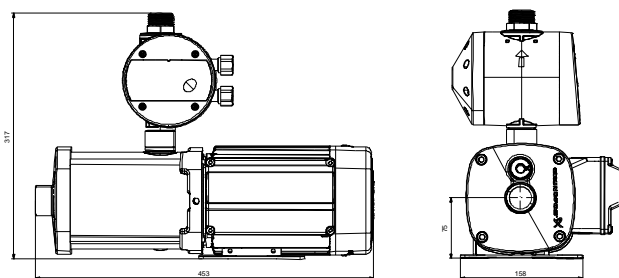
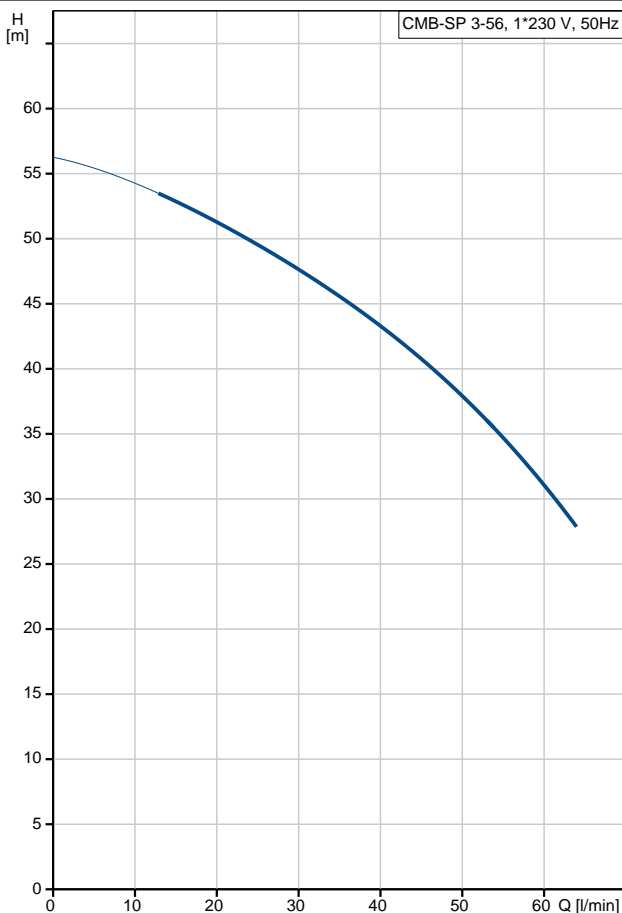
## 98507630 CMB-SP 3-56 I-C-A-A-C-A 50 Hz





**Company name:** ASC Water Tanks  
**Created by:** Anant Yuvarajah  
**Phone:** 03 8795 7715  
**Email:** sales@asc tanks.com.au  
**Date:** 26/04/2020

Description	Value
<b>General information:</b>	
Product name:	CMB-SP 3-56 I-C-A-A-C-A
Product No:	98507630
EAN number:	5711496304637 5711496304637
<b>Technical:</b>	
Pump speed on which pump data are based:	2900 rpm
Rated flow:	50 l/min
Rated head:	42.1 m
Impellers:	6
Primary shaft seal:	AVBE
Approvals and markings:	CE,C-TICK,ROHS
Curve tolerance:	ISO9906:2012 3B
Model:	A
Return valve:	YES
Self-priming:	4 m
Start pressure:	PM2
<b>Materials:</b>	
Pump housing:	Stainless steel DIN W.-Nr. 1.4301 AISI 304
Impeller:	Stainless steel DIN W.-Nr. 1.4301 AISI 304
Rubber:	EPDM
<b>Installation:</b>	
Maximum ambient temperature:	55 °C
Flange standard:	WHITWORTH THREAD RP
<b>Liquid:</b>	
Pumped liquid:	Water
Liquid temperature range:	0 .. 60 °C
Selected liquid temperature:	20 °C
Density:	998.2 kg/m <sup>3</sup>
<b>Electrical data:</b>	
Rated power - P2:	0.67 kW
Mains frequency:	50 Hz
Rated voltage:	1 x 220-240 V
Maximum current consumption:	4.4-4.0 A
p max system:	10 bar
Rated speed:	2720-2800 rpm
Enclosure class (IEC 34-5):	IP55
Insulation class (IEC 85):	F
Motor protec:	TP 211
Type of cable plug:	AU
Mains cable:	1.5 m
<b>Others:</b>	
Net weight:	17.3 kg
Gross weight:	22.6 kg

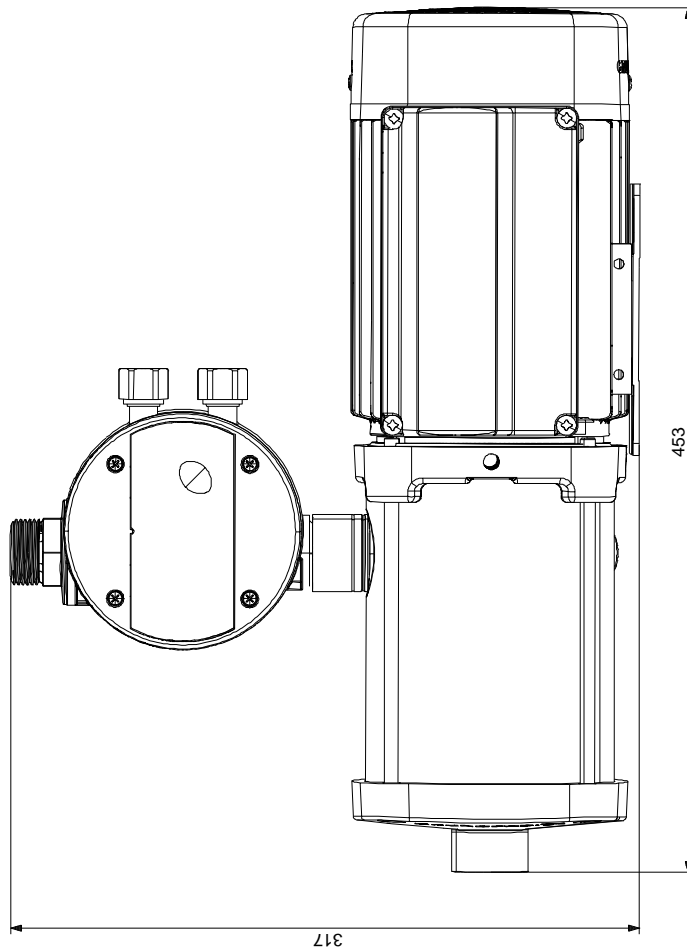
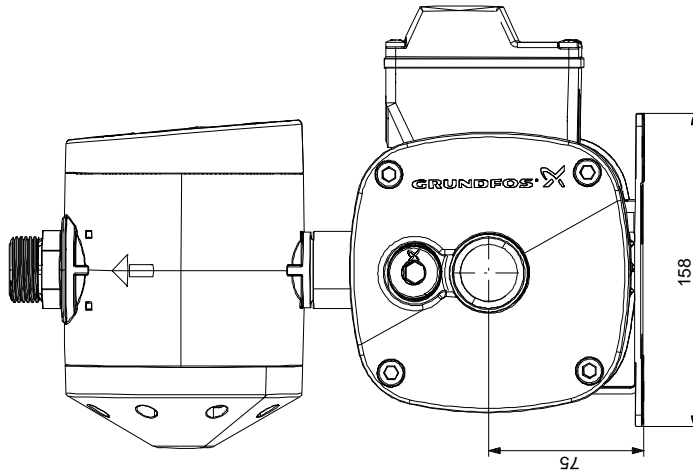


- Australian plug: IEC type I, AS/NZS3112, 1.5 m
- Schuko plug: IEC Type E/F, CEE7/7, 1.5 m
- US plug: IEC type B, NEMA 0-15P, 1.5 m
- NO PLUG, 1.5 m



Company name: ASC Water Tanks  
Created by: Anant Yuvarajah  
Phone: 03 8795 7715  
Email: sales@asc tanks.com.au  
Date: 26/04/2020

### 98507630 CMB-SP 3-56 I-C-A-A-C-A 50 Hz



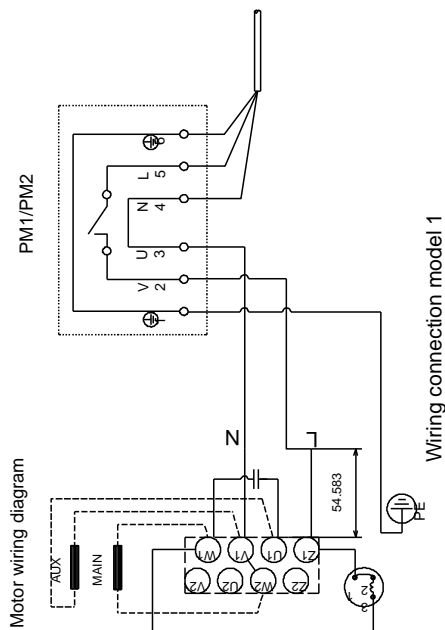
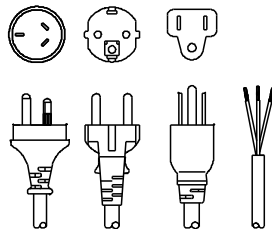
Note! All units are in [mm] unless others are stated.  
Disclaimer: This simplified dimensional drawing does not show all details.



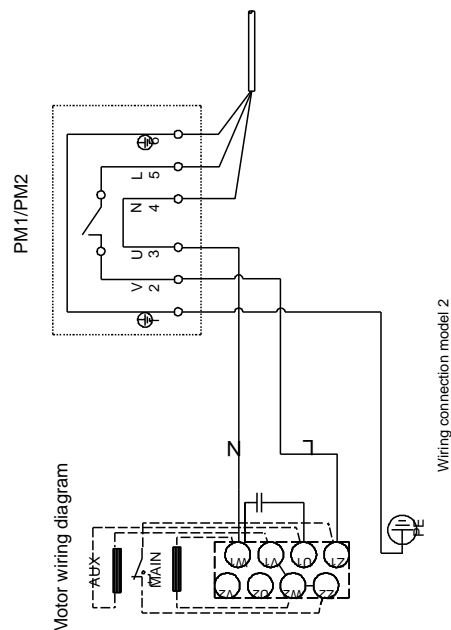
**Company name:** ASC Water Tanks  
**Created by:** Anant Yuvarajah  
**Phone:** 03 8795 7715  
**Email:** sales@asc tanks.com.au  
**Date:** 26/04/2020

## 98507630 CMB-SP 3-56 I-C-A-A-C-A 50 Hz

Australian plug: IEC type I,  
 AS/NZS3112, 1,5 m  
 Schuko plug: IEC Type E&F,  
 CEE7/7, 1,5 m  
 US plug: IEC type B, NEMA  
 5-15P, 1,5 m  
 NO PLUG, 1,5 m



Wiring connection model 1



Wiring connection model 2

Note! All units are in [mm] unless others are stated.