



Company name: ASC Water Tanks
Created by: Anant Yuvarajah
Phone: 03 8795 7715
Email: sales@asc tanks.com.au
Date: 26/04/2020

Qty. Description

1 **CMBE 3-62 I-U-C-A-D-A**



Product No.: [98374709](#)

The Grundfos CME Booster is a compact booster system for water supply in domestic applications. The integrated speed controller enables the CME Booster to keep constant pressure in the pipe system. A pressure sensor monitoring changes in the water consumption will signal to the speed controller to change the motor speed to adapt performance to the new state. The CME Booster is very easy to install. When the pipework has been installed, it is all a matter of plugging the unit into a socket, and the system is operational.

The CME Booster consists of:

- CME pump with integrated frequency converter
- 5-way valve
- expansion tank
- pressure gauge

Features

- Constant pressure, integrated speed control
- compact
- robust, stainless steel
- easy installation
- dry run protection

Thermal protection

CME Booster pumps require no external motor protection. The MGE motor incorporates thermal protection against slow overloading and blocking (IEC 34.11: TP 211).

Applications

Grundfos CMBE Booster is mainly used for domestic and light commercial water supply or booster systems.

NB:

Suction lift: Max. 1 m, including suction-pipe pressure loss at a liquid temperature of +20 °C. (not self-priming)

Liquid:

Pumped liquid: Water
Liquid temperature range: 0 .. 60 °C
Selected liquid temperature: 20 °C
Density: 998.2 kg/m³

Technical:

Pump speed on which pump data are based: 3780 rpm
Rated flow: 70 l/min
Rated head: 45.2 m



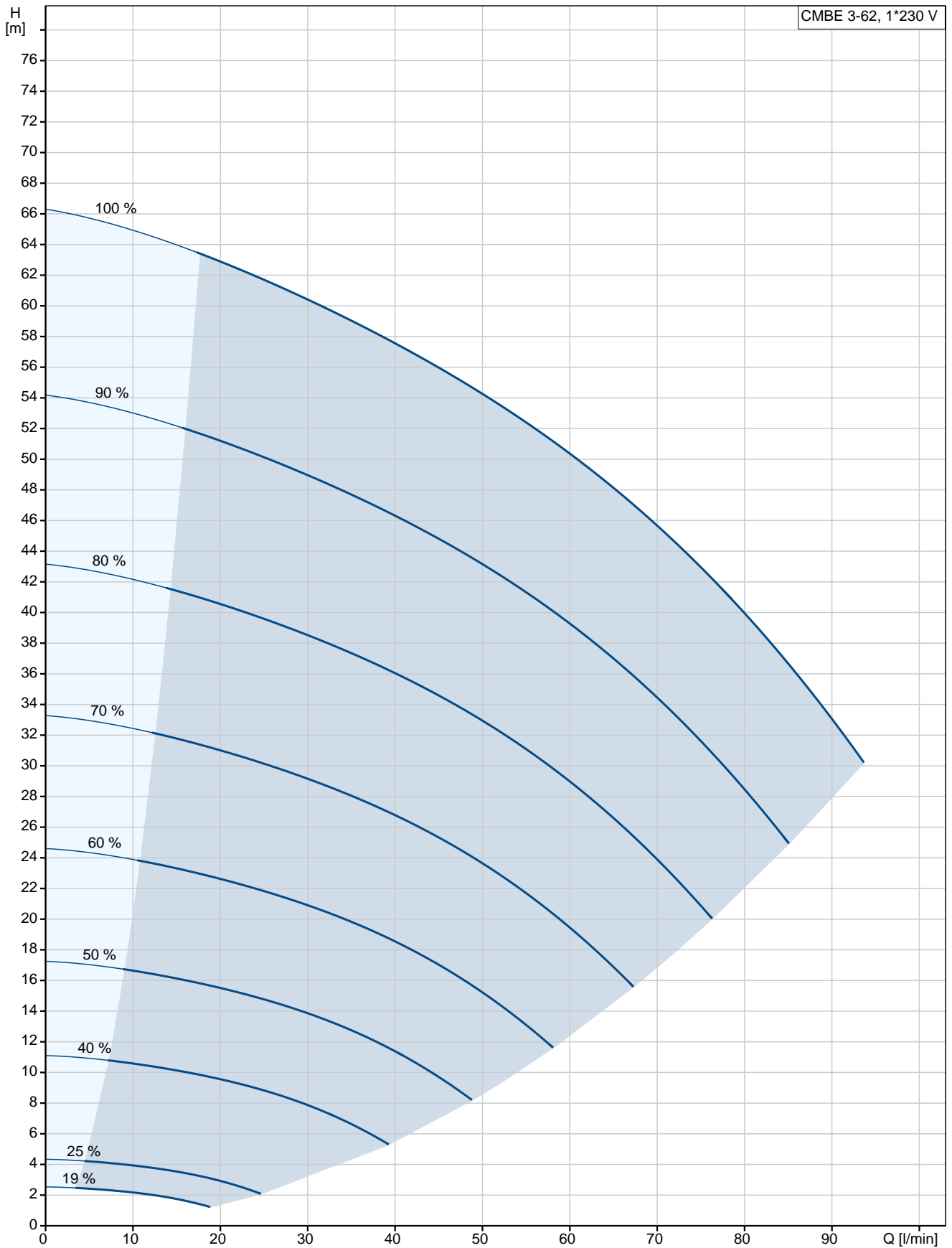
Company name: ASC Water Tanks
Created by: Anant Yuvarajah
Phone: 03 8795 7715
Email: sales@asc tanks.com.au
Date: 26/04/2020

| Qty. | Description |
|------|---|
| | Primary shaft seal: AVBE Approvals and markings: CE,MORO Curve tolerance: ISO9906:2012 3B Return valve: YES Start pressure: Integrated Frequency converter |
| | Materials: Pump housing: Stainless steel DIN W.-Nr. 1.4301 AISI 304 Impeller: Stainless steel DIN W.-Nr. 1.4301 AISI 304 Rubber: EPDM |
| | Installation: Maximum ambient temperature: 55 °C Flange standard: WHITWORTH THREAD RP Pump inlet: Rp 1 Pump outlet: Rp 1 |
| | Electrical data: Rated power - P2: 1.1 kW Mains frequency: 50 / 60 Hz Rated voltage: 1 x 200-240 V Maximum current consumption: 6.70-5.60 A Rated speed: 360-4000 rpm Enclosure class (IEC 34-5): IP55 Insulation class (IEC 85): F Type of cable plug: AU Mains cable: 1.5 m |
| | Tank: Tank volume: 2 l |
| | Others: Net weight: 17 kg Gross weight: 27.1 kg |



Company name: ASC Water Tanks
Created by: Anant Yuvarajah
Phone: 03 8795 7715
Email: sales@asc tanks.com.au
Date: 26/04/2020

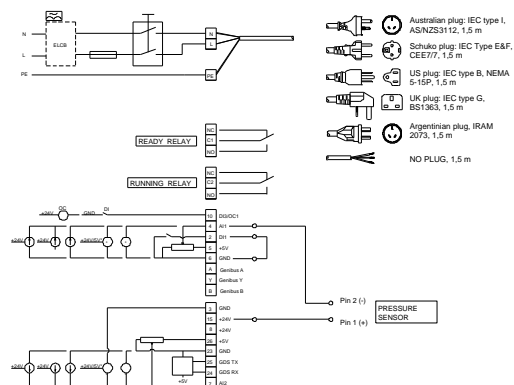
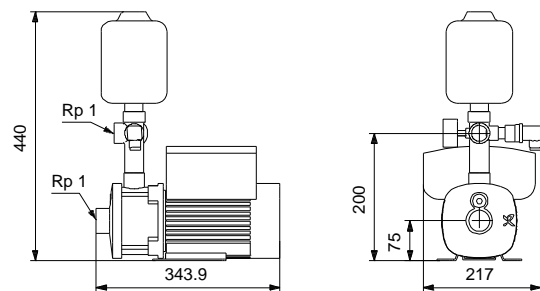
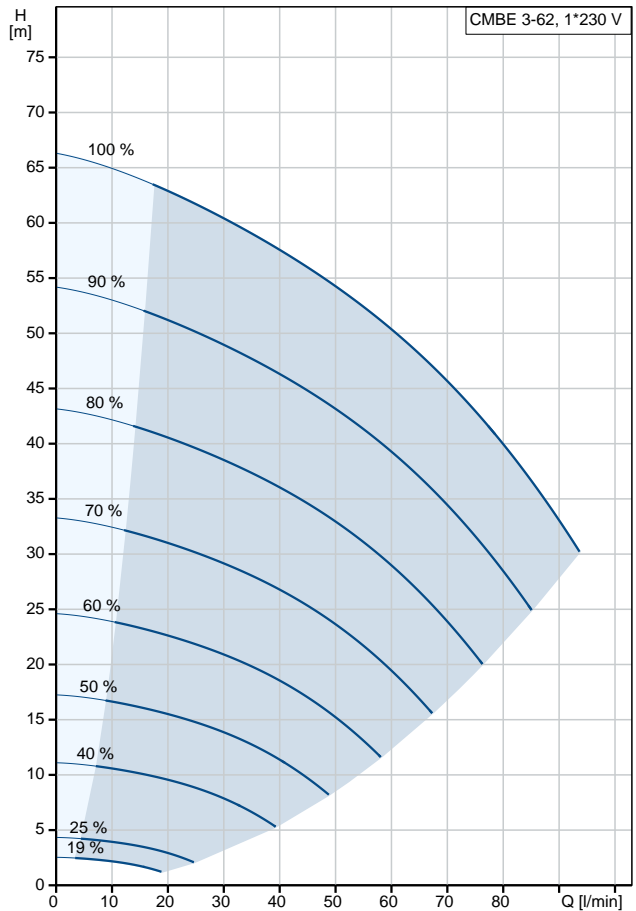
98374709 CMBE 3-62 I-U-C-A-D-A





Company name: ASC Water Tanks
Created by: Anant Yuvarajah
Phone: 03 8795 7715
Email: sales@asc tanks.com.au
Date: 26/04/2020

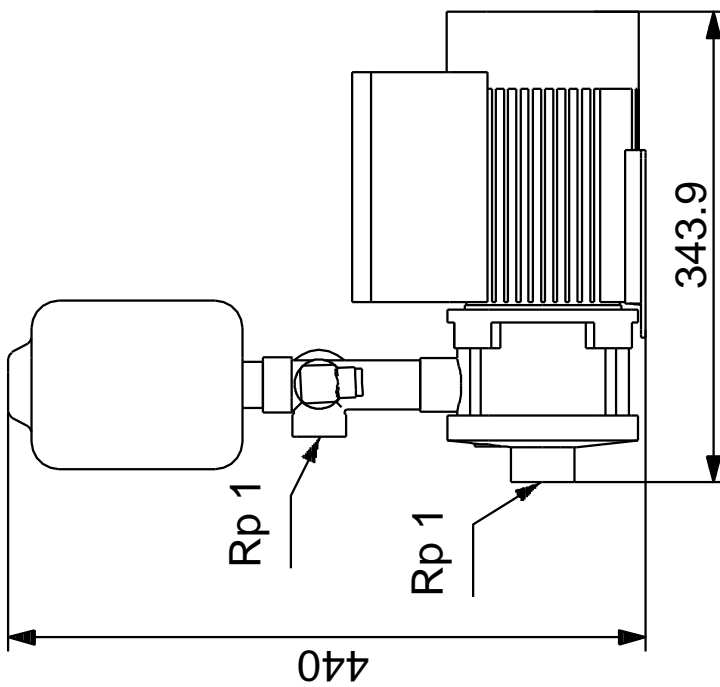
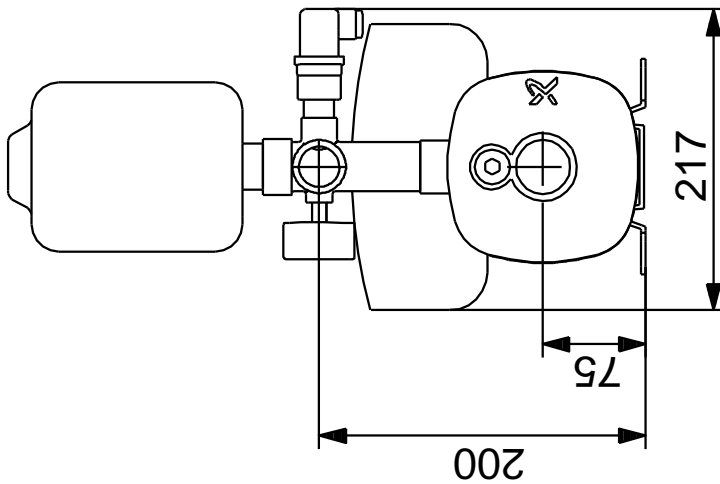
| Description | Value |
|--|--|
| General information: | |
| Product name: | CMBE 3-62 I-U-C-A-D-A |
| Product No: | 98374709 |
| EAN number: | 5711493909491 |
| | 5711493909491 |
| Technical: | |
| Pump speed on which pump data are based: | 3780 rpm |
| Rated flow: | 70 l/min |
| Rated head: | 45.2 m |
| Impellers: | 4 |
| Primary shaft seal: | AVBE |
| Approvals and markings: | CE,MORO |
| Curve tolerance: | ISO9906:2012 3B |
| Model: | A |
| Return valve: | YES |
| Start pressure: | Integrated Frequency converter |
| Materials: | |
| Pump housing: | Stainless steel DIN W.-Nr. 1.4301 AISI 304 |
| Impeller: | Stainless steel DIN W.-Nr. 1.4301 AISI 304 |
| Rubber: | EPDM |
| Installation: | |
| Maximum ambient temperature: | 55 °C |
| Flange standard: | WHITWORTH THREAD RP |
| Pump inlet: | Rp 1 |
| Pump outlet: | Rp 1 |
| Liquid: | |
| Pumped liquid: | Water |
| Liquid temperature range: | 0 .. 60 °C |
| Selected liquid temperature: | 20 °C |
| Density: | 998.2 kg/m ³ |
| Electrical data: | |
| Rated power - P2: | 1.1 kW |
| Mains frequency: | 50 / 60 Hz |
| Rated voltage: | 1 x 200-240 V |
| Maximum current consumption: | 6.70-5.60 A |
| p max system: | 10 bar |
| Rated speed: | 360-4000 rpm |
| Enclosure class (IEC 34-5): | IP55 |
| Insulation class (IEC 85): | F |
| Type of cable plug: | AU |
| Mains cable: | 1.5 m |
| Tank: | |
| Tank volume: | 2 l |
| Others: | |
| Net weight: | 17 kg |
| Gross weight: | 27.1 kg |
| Config. file no: | 98390434 |





Company name: ASC Water Tanks
Created by: Anant Yuvarajah
Phone: 03 8795 7715
Email: sales@asc tanks.com.au
Date: 26/04/2020

98374709 CMBE 3-62 I-U-C-A-D-A

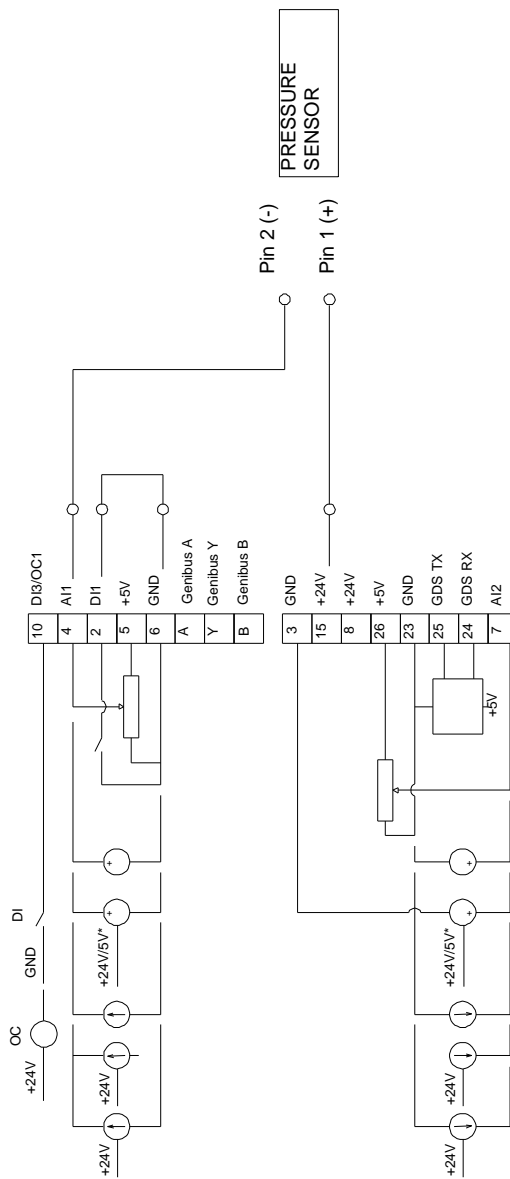
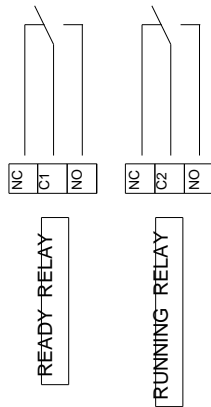
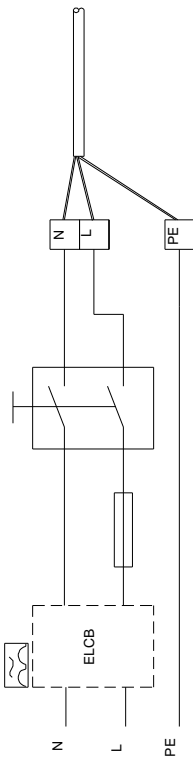
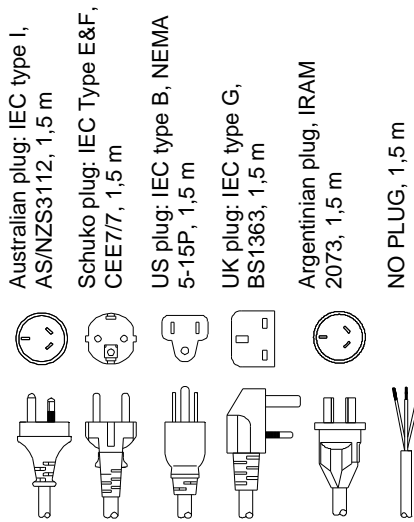


Note! All units are in [mm] unless others are stated.
Disclaimer: This simplified dimensional drawing does not show all details.



Company name: ASC Water Tanks
Created by: Anant Yuvarajah
Phone: 03 8795 7715
Email: sales@asc tanks.com.au
Date: 26/04/2020

98374709 CMBE 3-62 I-U-C-A-D-A



Note! All units are in [mm] unless others are stated.