



Company name: ASC Water Tanks
Created by: Anant Yuvarajah
Phone: 03 8795 7715
Email: sales@asc tanks.com.au
Date: 26/04/2020

Qty. Description

1 **CMBE 5-62 I-U-C-A-D-B**



Product No.: [98374712](#)

The Grundfos CME Booster is a compact booster system for water supply in domestic applications. The integrated speed controller enables the CME Booster to keep constant pressure in the pipe system. A pressure sensor monitoring changes in the water consumption will signal to the speed controller to change the motor speed to adapt performance to the new state. The CME Booster is very easy to install. When the pipework has been installed, it is all a matter of plugging the unit into a socket, and the system is operational.

The CME Booster consists of:

- CME pump with integrated frequency converter
- 5-way valve
- expansion tank
- pressure gauge

Features

- Constant pressure, integrated speed control
- compact
- robust, stainless steel
- easy installation
- dry run protection

Thermal protection

CME Booster pumps require no external motor protection. The MGE motor incorporates thermal protection against slow overloading and blocking (IEC 34.11: TP 211).

Applications

Grundfos CMBE Booster is mainly used for domestic and light commercial water supply or booster systems.

NB:

Suction lift: Max. 1 m, including suction-pipe pressure loss at a liquid temperature of +20 °C. (not self-priming)

Liquid:

Pumped liquid: Water
Liquid temperature range: 0 .. 60 °C
Selected liquid temperature: 20 °C
Density: 998.2 kg/m³

Technical:

Pump speed on which pump data are based: 3868 rpm
Rated flow: 100 l/min
Rated head: 47.8 m



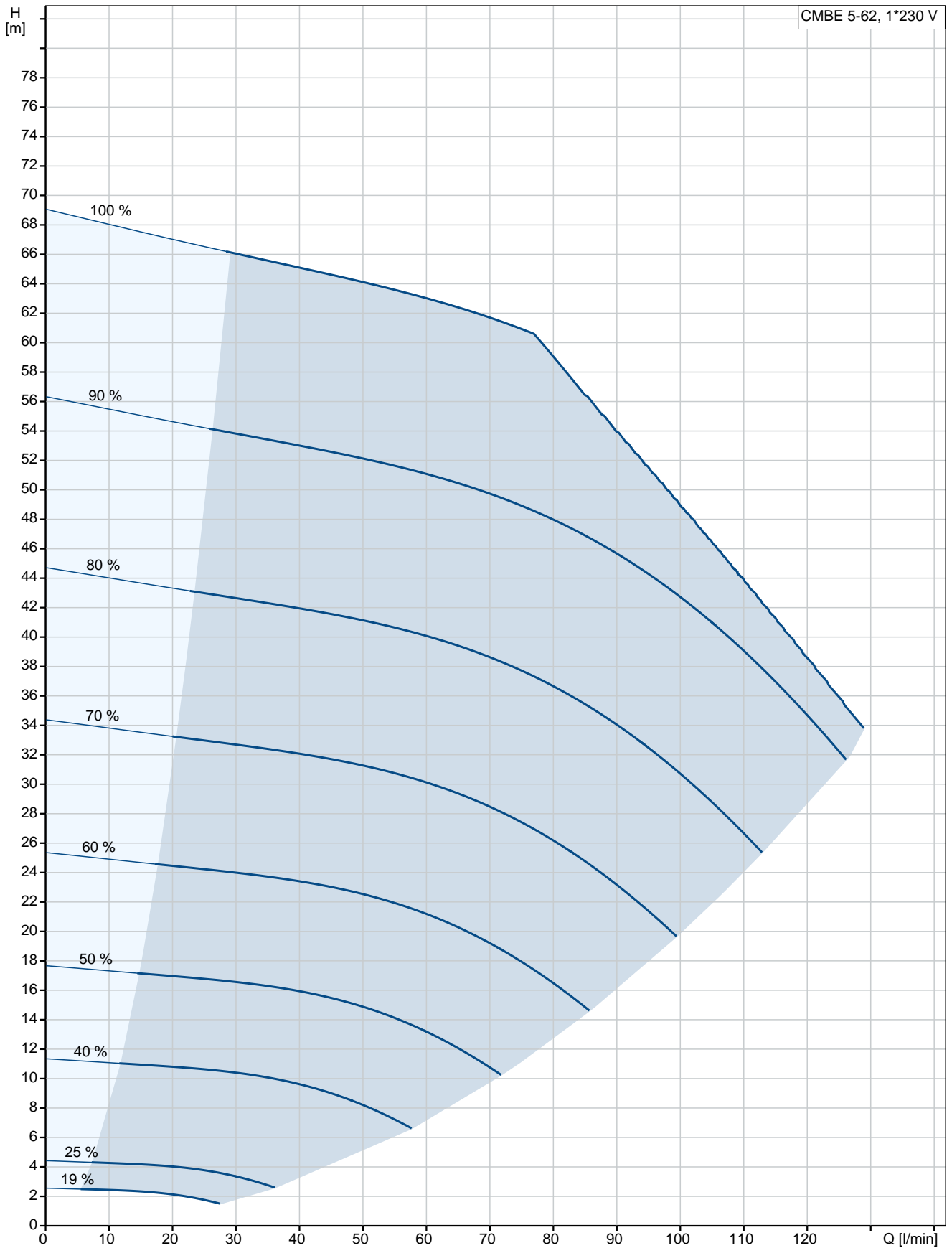
Company name: ASC Water Tanks
Created by: Anant Yuvarajah
Phone: 03 8795 7715
Email: sales@asc tanks.com.au
Date: 26/04/2020

Qty.	Description
	Primary shaft seal: AVBE Approvals and markings: CE,MORO Curve tolerance: ISO9906:2012 3B Return valve: YES Start pressure: Integrated Frequency converter
	Materials: Pump housing: Stainless steel DIN W.-Nr. 1.4301 AISI 304 Impeller: Stainless steel DIN W.-Nr. 1.4301 AISI 304 Rubber: EPDM
	Installation: Maximum ambient temperature: 55 °C Flange standard: WHITWORTH THREAD RP Pump inlet: Rp 1 1/4 Pump outlet: Rp 1
	Electrical data: Rated power - P2: 1.5 kW Mains frequency: 50 / 60 Hz Rated voltage: 1 x 200-240 V Maximum current consumption: 9.10-7.60 A Rated speed: 360-4000 rpm Enclosure class (IEC 34-5): IP55 Insulation class (IEC 85): F Type of cable plug: AU Mains cable: 1.5 m
	Tank: Tank volume: 2 l
	Others: Net weight: 19.3 kg Gross weight: 29.3 kg



Company name: ASC Water Tanks
Created by: Anant Yuvarajah
Phone: 03 8795 7715
Email: sales@asc tanks.com.au
Date: 26/04/2020

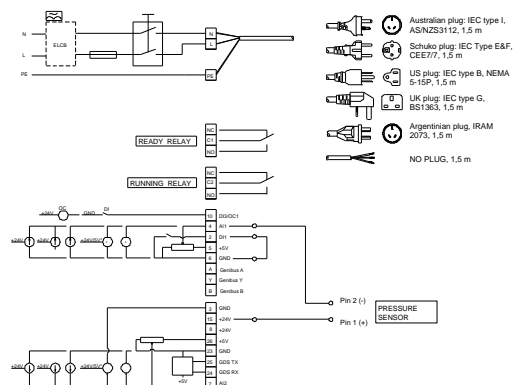
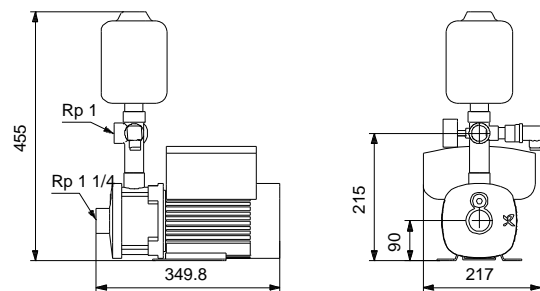
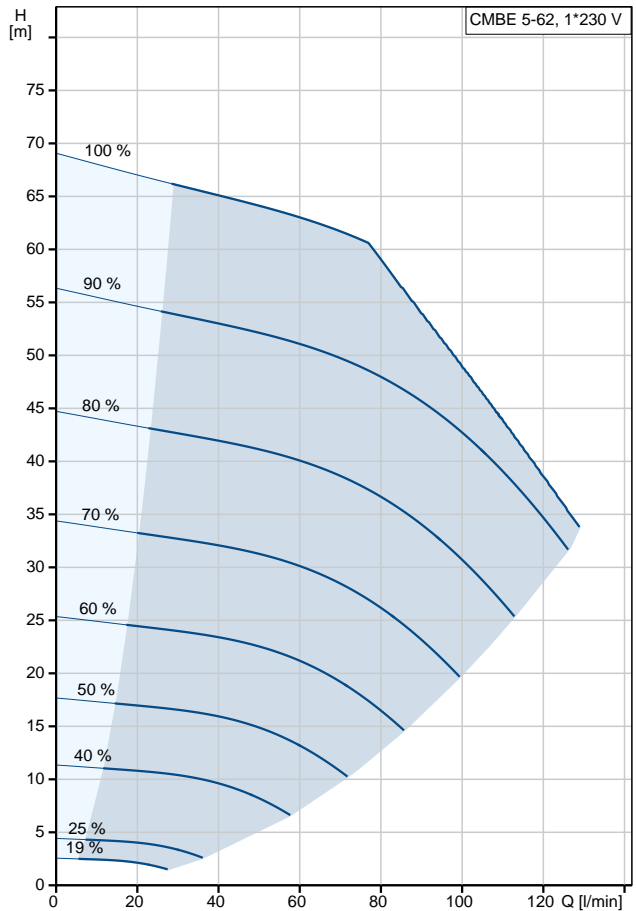
98374712 CMBE 5-62 I-U-C-A-D-B





Company name: ASC Water Tanks
Created by: Anant Yuvarajah
Phone: 03 8795 7715
Email: sales@asc tanks.com.au
Date: 26/04/2020

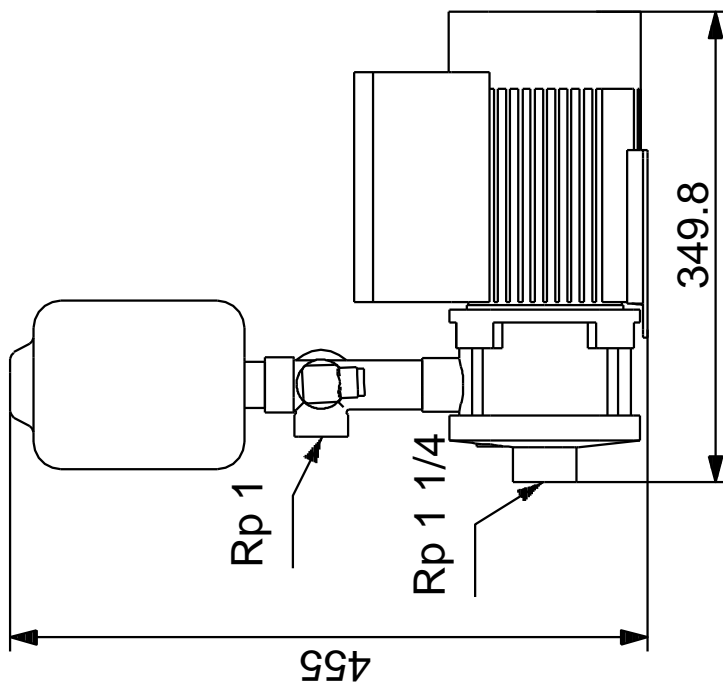
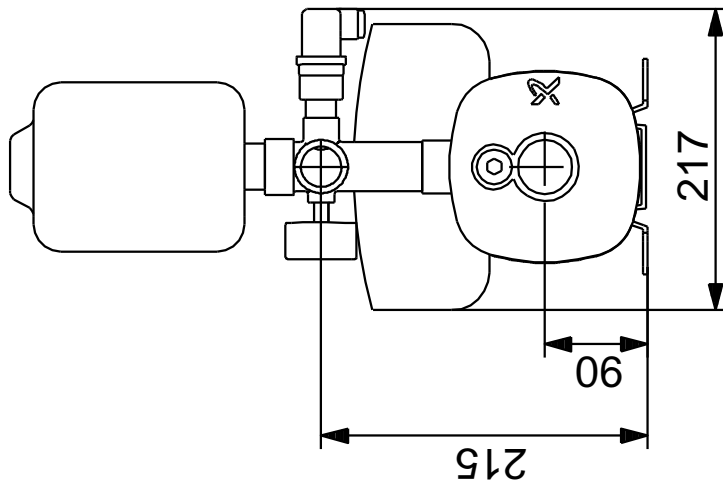
Description	Value
General information:	
Product name:	CMBE 5-62 I-U-C-A-D-B
Product No:	98374712
EAN number:	5711493909521
	5711493909521
Technical:	
Pump speed on which pump data are based:	3868 rpm
Rated flow:	100 l/min
Rated head:	47.8 m
Impellers:	4
Primary shaft seal:	AVBE
Approvals and markings:	CE,MORO
Curve tolerance:	ISO9906:2012 3B
Model:	A
Return valve:	YES
Start pressure:	Integrated Frequency converter
Materials:	
Pump housing:	Stainless steel DIN W.-Nr. 1.4301 AISI 304
Impeller:	Stainless steel DIN W.-Nr. 1.4301 AISI 304
Rubber:	EPDM
Installation:	
Maximum ambient temperature:	55 °C
Flange standard:	WHITWORTH THREAD RP
Pump inlet:	Rp 1 1/4
Pump outlet:	Rp 1
Liquid:	
Pumped liquid:	Water
Liquid temperature range:	0 .. 60 °C
Selected liquid temperature:	20 °C
Density:	998.2 kg/m ³
Electrical data:	
Rated power - P2:	1.5 kW
Mains frequency:	50 / 60 Hz
Rated voltage:	1 x 200-240 V
Maximum current consumption:	9.10-7.60 A
p max system:	10 bar
Rated speed:	360-4000 rpm
Enclosure class (IEC 34-5):	IP55
Insulation class (IEC 85):	F
Type of cable plug:	AU
Mains cable:	1.5 m
Tank:	
Tank volume:	2 l
Others:	
Net weight:	19.3 kg
Gross weight:	29.3 kg
Config. file no:	98499013





Company name: ASC Water Tanks
Created by: Anant Yuvarajah
Phone: 03 8795 7715
Email: sales@asc tanks.com.au
Date: 26/04/2020

98374712 CMBE 5-62 I-U-C-A-D-B

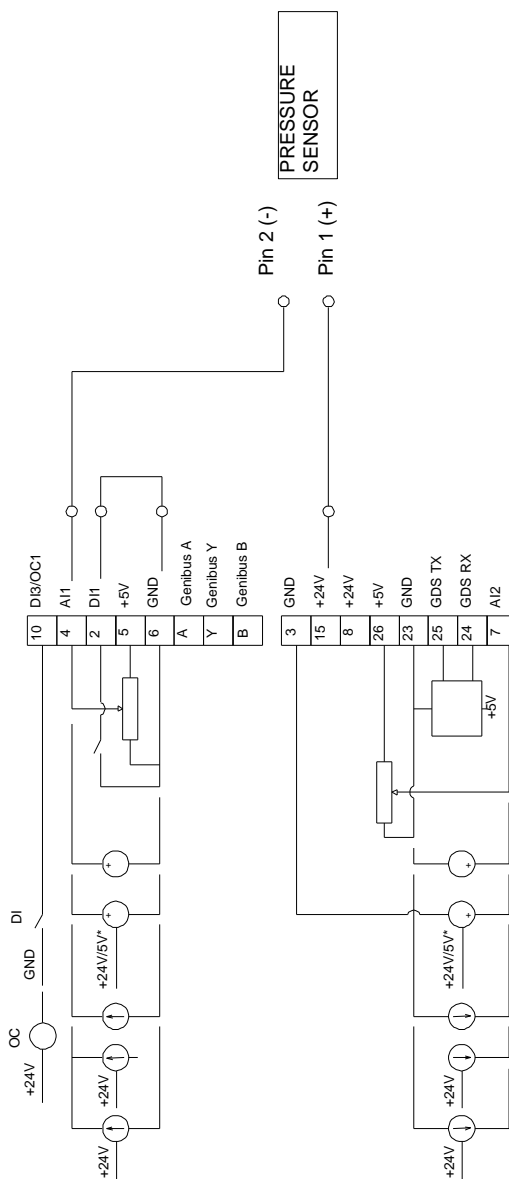
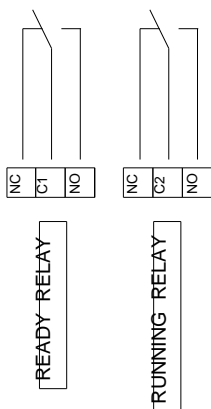
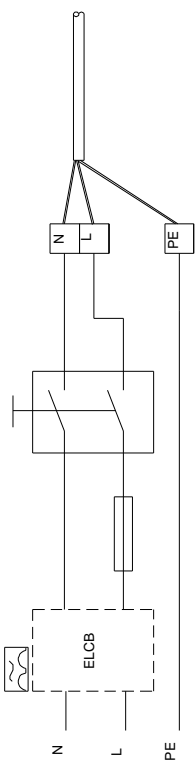
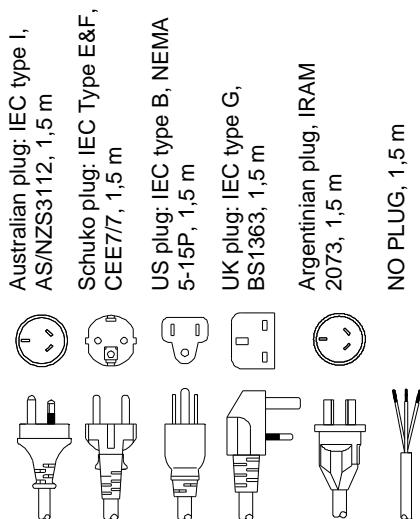


Note! All units are in [mm] unless others are stated.
Disclaimer: This simplified dimensional drawing does not show all details.



Company name: ASC Water Tanks
Created by: Anant Yuvarajah
Phone: 03 8795 7715
Email: sales@asc tanks.com.au
Date: 26/04/2020

98374712 CMBE 5-62 I-U-C-A-D-B



Note! All units are in [mm] unless others are stated.