



Company name: ASC Water Tanks
Created by: Anant Yuvarajah
Phone: 03 8795 7715
Email: sales@asc tanks.com.au
Date: 03/05/2020

Qty. Description

1 JPC 3-42 PM1 15 A-A-BBVP



Note! Product picture may differ from actual product

Product No.: [98388472](#)

The compact JPC PM booster consists of a JPC pump and a Grundfos Pressure Manager.

The Pressure Manager is a PM 1 version.

The PM 1 is suitable for applications where start/stop of the pump according to consumption is needed. It is the basic control solution offering start at 1.5 or 2.2 bar.

The PM 1 starts the pump when the start pressure is reached, and the pump keeps running as long as there is flow.

The PM 1 offers dry-running protection and cycling alarm for increased safety.

The pumps can be used in various applications where self-priming is needed. They are especially suitable for water supply and transfer in the following applications:

- single- and two-family houses
gardens

The rotor is mounted on oversized, sealed, greased-for-life ball bearings to ensure silent running and long life.

Single-phase motors have built-in thermal and current protection, and they require no additional motor protection.

Liquid:

Pumped liquid: Water
Liquid temperature range: 0 .. 40 °C
Selected liquid temperature: 20 °C
Density: 998.2 kg/m³

Technical:

Primary shaft seal: BBVP
Approvals on nameplate: CE,WM,C-TICK
Curve tolerance: ISO9906:2012 3B

Materials:

Pump housing: Composite
Impeller: Composite

Installation:

Range of ambient temperature: -10 .. 40 °C
Maximum operating pressure: 600 kPa
Pump inlet: G 1
Pump outlet: G 1

Electrical data:

Power input - P1: 440 W
Mains frequency: 50 Hz
Rated voltage: 1 x 220-240 V
Rated current: 3.12 A
Capacitor size - run: 13 µF/450 V
Enclosure class (IEC 34-5): IP44
Insulation class (IEC 85): F
Length of cable: 1.5 m
Type of cable plug: AUS



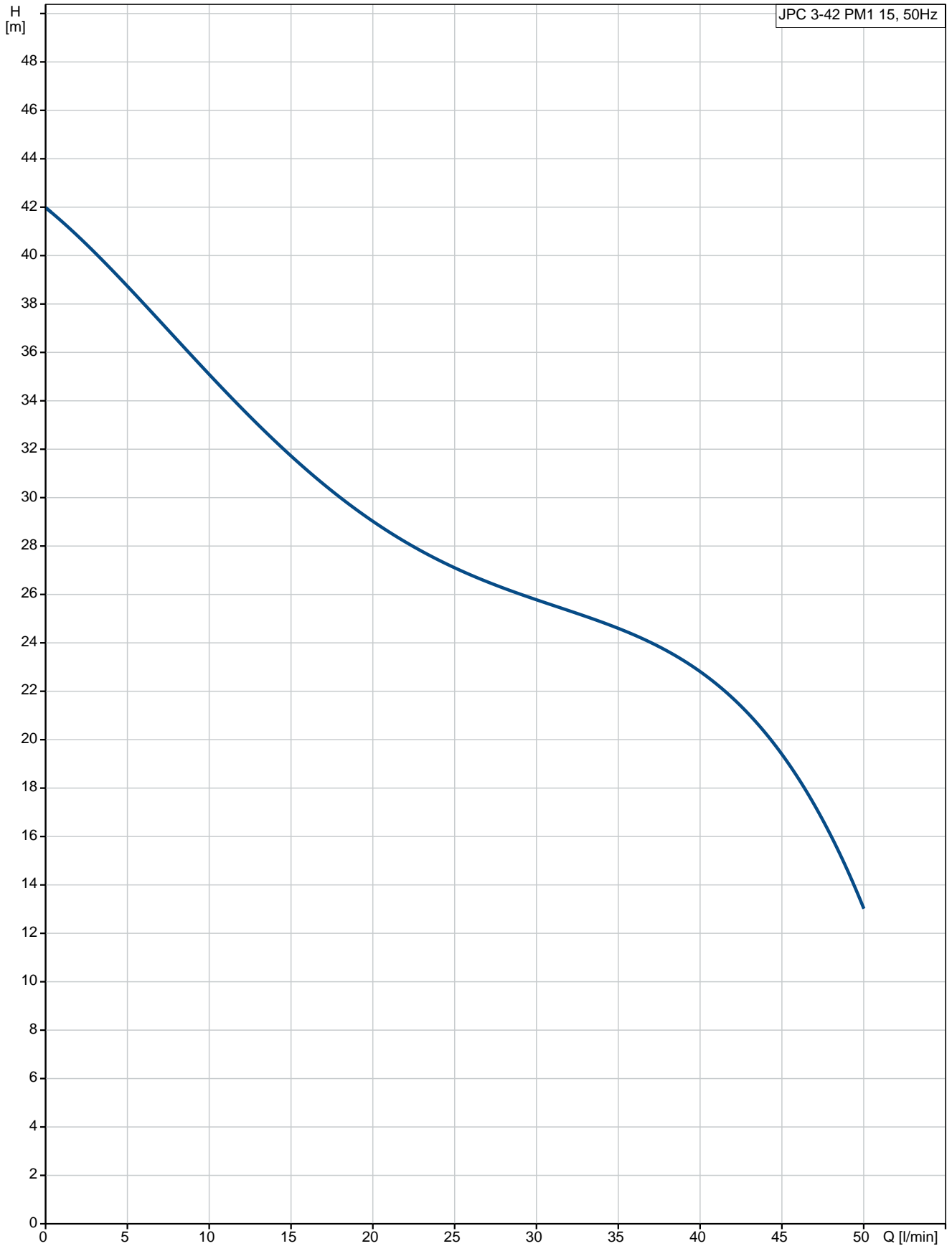
Company name: ASC Water Tanks
Created by: Anant Yuvarajah
Phone: 03 8795 7715
Email: sales@asc tanks.com.au
Date: 03/05/2020

Qty.	Description				
	<p>Others:</p> <table><tr><td data-bbox="188 369 542 403">Net weight:</td><td data-bbox="542 369 1481 403">10 kg</td></tr><tr><td data-bbox="188 403 542 436">Gross weight:</td><td data-bbox="542 403 1481 436">11 kg</td></tr></table>	Net weight:	10 kg	Gross weight:	11 kg
Net weight:	10 kg				
Gross weight:	11 kg				



Company name: ASC Water Tanks
Created by: Anant Yuvarajah
Phone: 03 8795 7715
Email: sales@asc tanks.com.au
Date: 03/05/2020

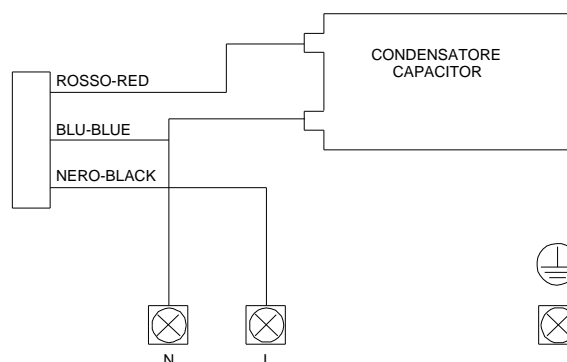
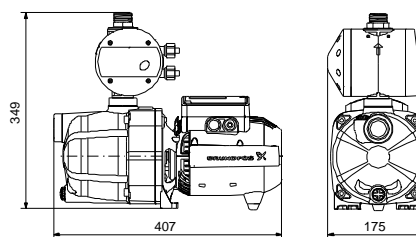
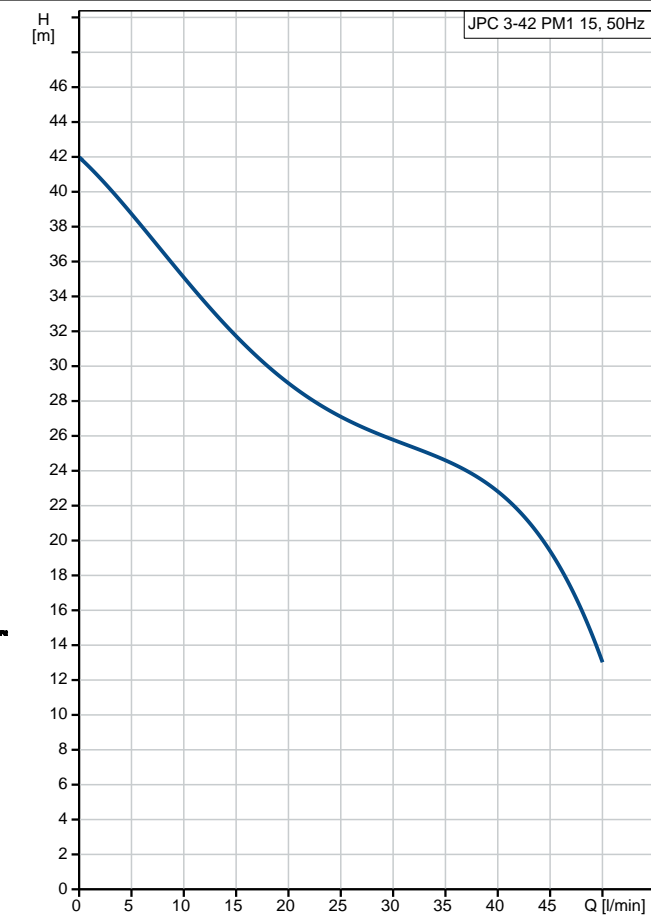
98388472 JPC 3-42 PM1 15 A-A-BBVP 50 Hz





Company name: ASC Water Tanks
Created by: Anant Yuvarajah
Phone: 03 8795 7715
Email: sales@asc tanks.com.au
Date: 03/05/2020

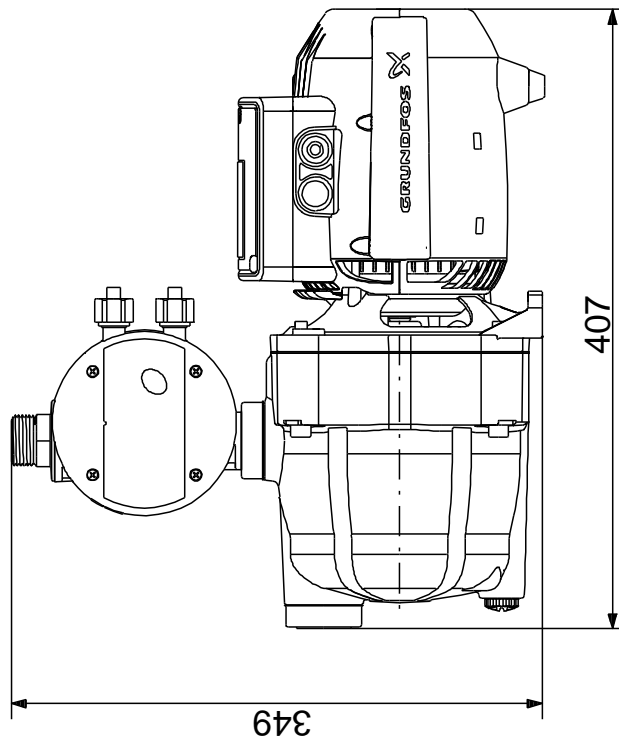
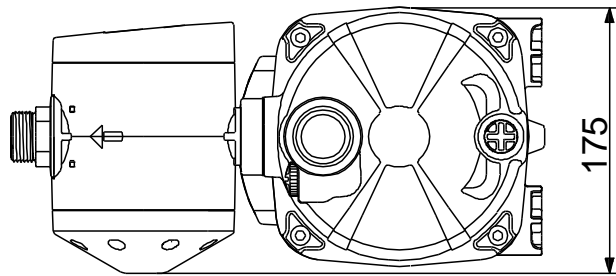
Description	Value
General information:	
Product name:	JPC 3-42 PM1 15 A-A-BBVP
Product No:	98388472
EAN number:	5711494161409
	5711494161409
Technical:	
Head max:	42 m
Primary shaft seal:	BBVP
Approvals on nameplate:	CE,WM,C-TICK
Curve tolerance:	ISO9906:2012 3B
Pump version:	A
Model:	A
Materials:	
Pump housing:	Composite
Impeller:	Composite
Material code:	A
Installation:	
Range of ambient temperature:	-10 .. 40 °C
Maximum operating pressure:	600 kPa
Pump inlet:	G 1
Pump outlet:	G 1
Liquid:	
Pumped liquid:	Water
Liquid temperature range:	0 .. 40 °C
Selected liquid temperature:	20 °C
Density:	998.2 kg/m ³
Electrical data:	
Power input - P1:	440 W
Mains frequency:	50 Hz
Rated voltage:	1 x 220-240 V
Rated current:	3.12 A
Capacitor size - run:	13 µF/450 V
Enclosure class (IEC 34-5):	IP44
Insulation class (IEC 85):	F
Length of cable:	1.5 m
Type of cable plug:	AUS
Others:	
Net weight:	10 kg
Gross weight:	11 kg





Company name: ASC Water Tanks
Created by: Anant Yuvarajah
Phone: 03 8795 7715
Email: sales@asc tanks.com.au
Date: 03/05/2020

98388472 JPC 3-42 PM1 15 A-A-BBVP 50 Hz

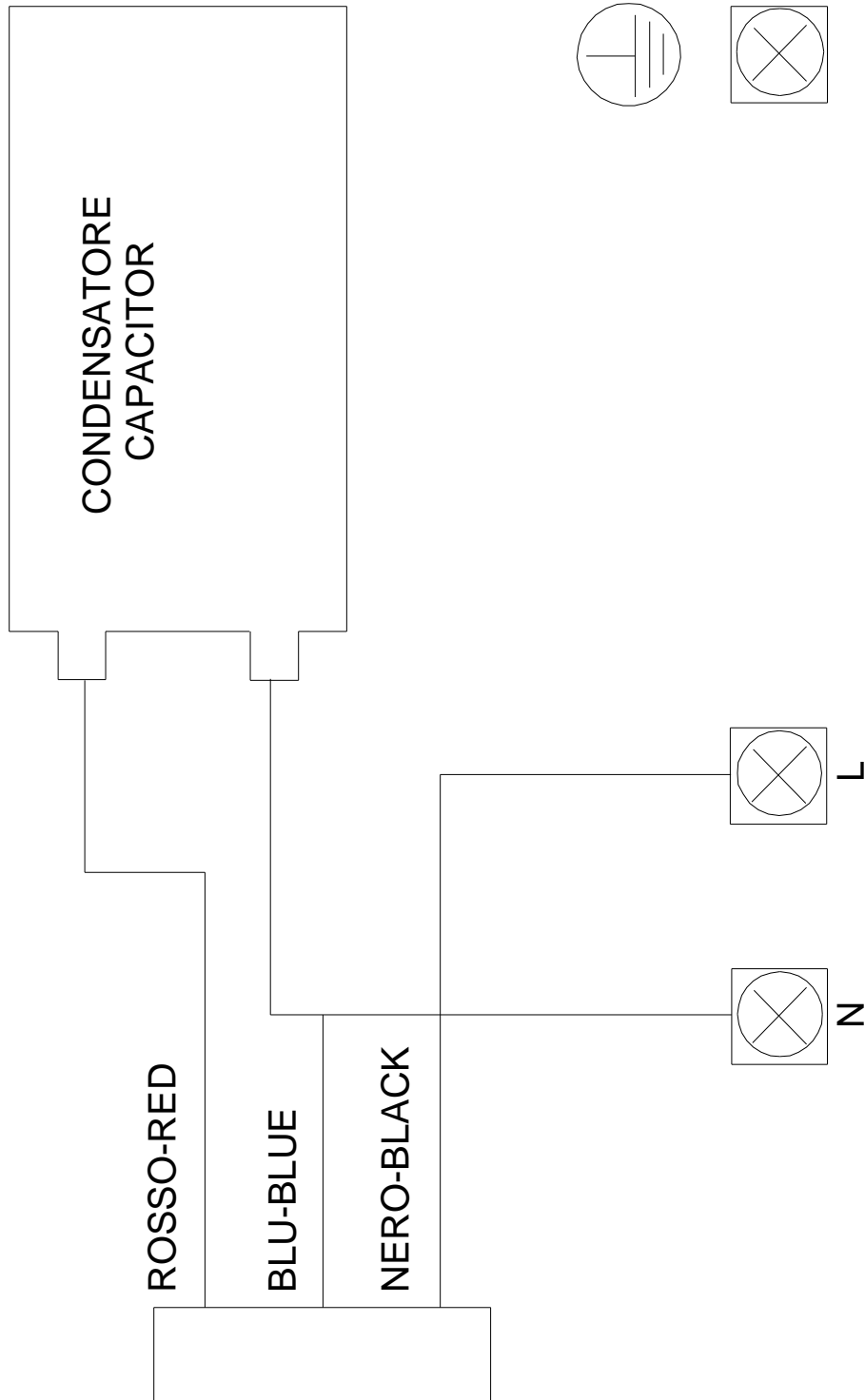


Note! All units are in [mm] unless others are stated.
Disclaimer: This simplified dimensional drawing does not show all details.



Company name: ASC Water Tanks
Created by: Anant Yuvarajah
Phone: 03 8795 7715
Email: sales@asc tanks.com.au
Date: 03/05/2020

98388472 JPC 3-42 PM1 15 A-A-BBVP 50 Hz



Note! All units are in [mm] unless others are stated.