

**Receiver**
**From**

 Society  
 Reference  
 Address  
 Phone  
 Fax  
 E-mail

**Item n° :**

60145850

**Model :**

JET 200 T

**Pump data**

 Pressure rating : 8 bar (800 kPa)  
 Min. fluid temperature : 0 °C  
 Max. fluid temperature : 35 °C  
 Max. Temperature operating : 40 °C

**Priming capacity :**

H	m	2	3	4	5	6	7	8
Q	m³/h	4.2	3.72	3.36	3	2.46	1.98	1.5

**Requested data**

 Flow : 0.00 m³/h  
 Head : 0.00 m  
 Fluid : Water, pure  
 Fluid Temperature : 20 °C  
 Density : 998.3 kg/m³  
 Kinematic viscosity : 1.005 mm²/s  
 Vapor pressure : 100.00 kPa

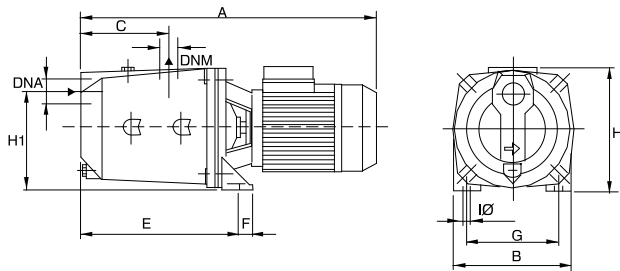
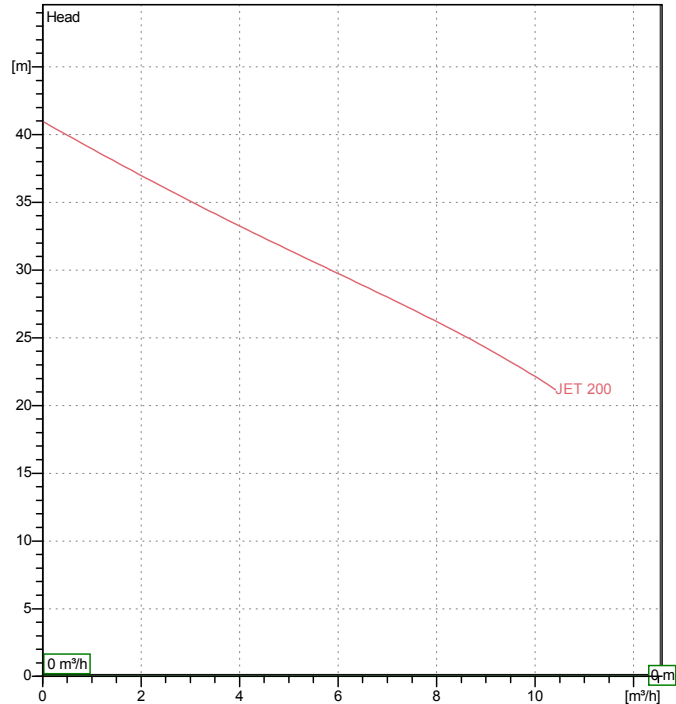
**Hydraulic data (duty point)**

Flow :

Head :

**Materials**

 Pump body : Cast iron 200 UNI ISO 185  
 Support : Cast iron 200 UNI ISO 185  
 Impeller : Technopoly mer A  
 Mechanical seal : Carbon/Ceramic  
 OR ring : NBR Rubber  
 Shaft with rotor : AISI 416 X12 CrS 13 UNI 6900/71  
 Diffuser : Technopoly mer A

**Curve tolerance according to ISO 9906**

**Motor data**

 Motor brand : DAB  
 Nominal power P2: 1.5 kW  
 Rated speed : 2850 rpm  
 Rated voltage : 3~ 230 V / 400 V 50 Hz  
 Nominal current : 6.8 / 3.9 A  
 Degree of protection : IP 44

**Dimensions in**
**mm**

A	521	DNM	1"1/4 G	H	227		
B	214	E	282	H1	175		
C	151	F	20	IO	11		
DNA	1"1/2 G	G	160				

**Weight :** 27 kg

**Pump connection**

 Suction side : 1 " 1/2 G/ 8 bar (800 kPa)  
 Discharge side : 1 " 1/4 G/ 8 bar (800 kPa)



WATER • TECHNOLOGY

# PERFORMANCE CURVES

07/12/2014

Page 2 / 3

DAB PUMPS S.p.A.  
Via Marco Polo, 14 - 35035 Mestrino (PD), Italy  
Tel. +39 049 5125000 - Fax +39 049 5125950  
www.dabpumps.com

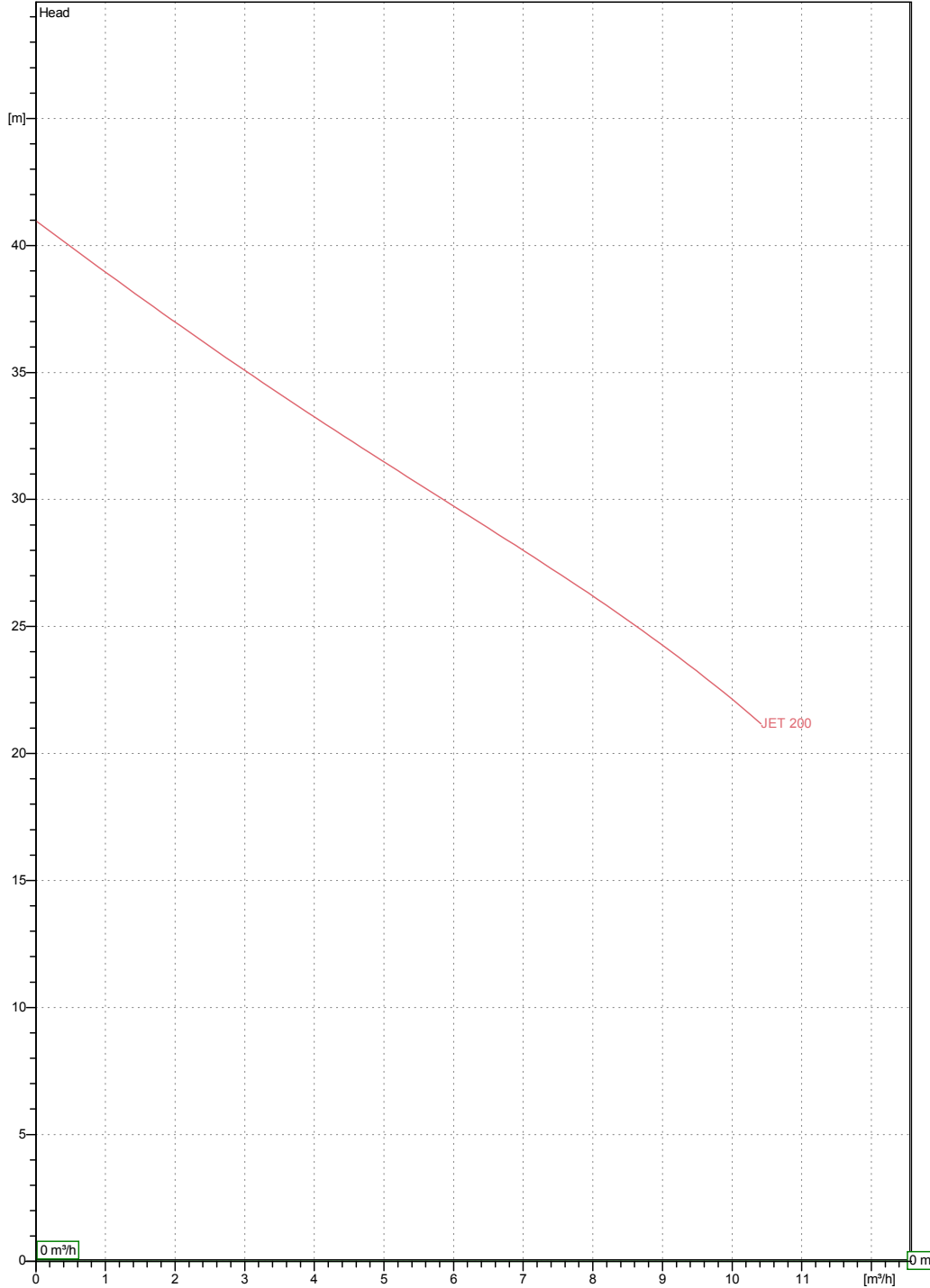
Receiver

From

Society  
Reference  
Address  
Phone  
Fax  
E-mail

## JET 200 T

Curve tolerance according to ISO 9906



Hydraulic data (duty point)

Suction side 1 " 1/2 G 8 bar (800 kPa)	Discharge side 1 " 1/4 G 8 bar (800 kPa)	Flow : 0 m³/h	Head : 0 m	Rated speed : 2850 rpm
Project	Project ID	Created by	Created on <b>07/12/2014</b>	



WATER • TECHNOLOGY

# DIMENSIONAL DRAWING

07/12/2014

Page 3 / 3

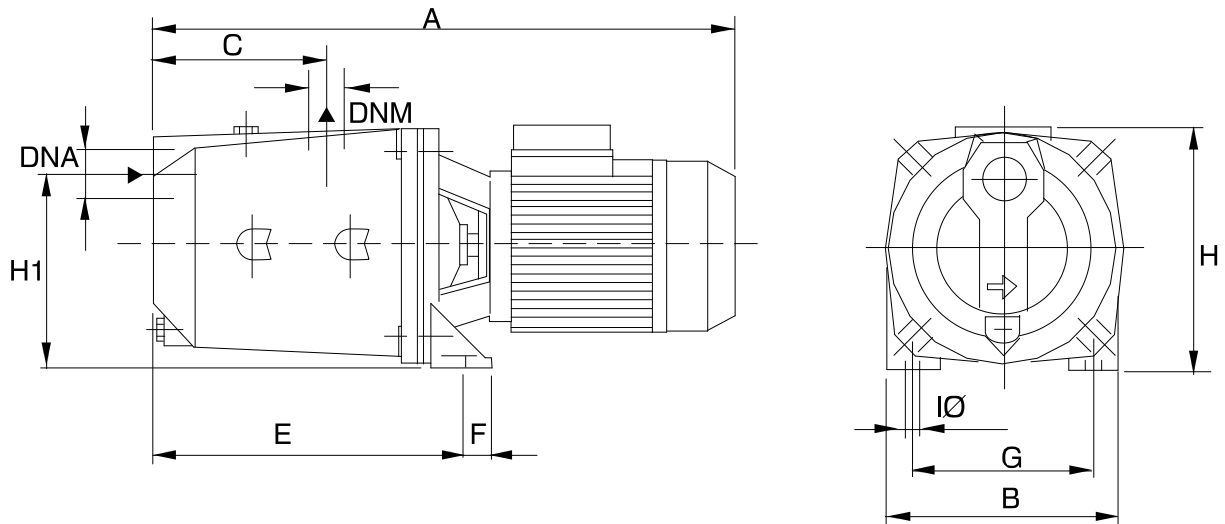
DAB PUMPS S.p.A.  
Via Marco Polo, 14 - 35035 Mestrino (PD), Italy  
Tel. +39 049 5125000 - Fax +39 049 5125950  
www.dabpumps.com

Receiver

From

Society  
Reference  
Address  
Phone  
Fax  
E-mail

## JET 200 T



### Dimensions in mm

1	A	521	IO	11		
2	B	214				
3	C	151				
4	DNA	1"1/2 G				
5	DNM	1"1/4 G				
6	E	282				
7	F	20				
8	G	160				
9	H	227				
10	H1	175				

### Pump connection

Suction  
1 " 1/2 G  
8 bar (800 kPa)

Discharge  
1 " 1/4 G  
8 bar (800 kPa)

Project

Project ID

Created by

Created on

07/12/2014