

Receiver
From

 Society
 Reference
 Address
 Phone
 Fax
 E-mail

Item n° :

60145849

Model :

JET 251 T

Pump data

 Pressure rating : 8 bar (800 kPa)
 Min. fluid temperature : 0 °C
 Max. fluid temperature : 35 °C
 Max. Temperature operating : 40 °C

Priming capacity :

H m	2	3	4	5	6	7	8
Q m³/h	4.2	3.72	3.36	3	2.46	1.98	1.5

Requested data

 Flow : 0.00 m³/h
 Head : 0.00 m
 Fluid : Water, pure
 Fluid Temperature : 20 °C
 Density : 998.3 kg/m³
 Kinematic viscosity : 1.005 mm²/s
 Vapor pressure : 100.00 kPa

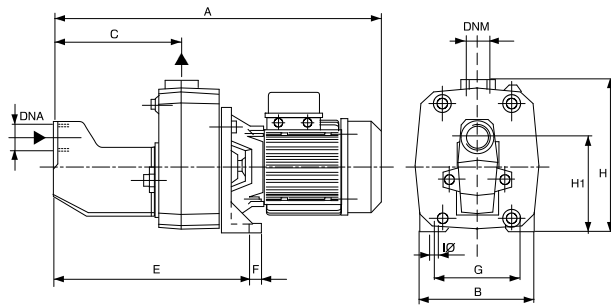
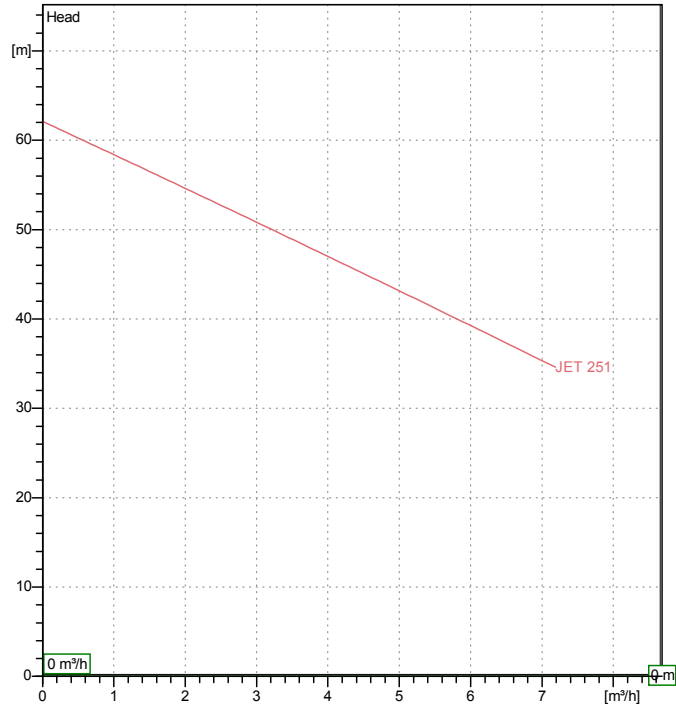
Hydraulic data (duty point)

Flow :

Head :

Materials

Pump body	Cast iron 200 UNI ISO 185
Support	Cast iron 200 UNI ISO 185
Impeller	Technopoly mer A
Mechanical seal	Carbon/Ceramic
OR ring	NBR Rubber
Shaft with rotor	AISI 416 X12 CrS 13 UNI 6900/71
Diffuser	Technopoly mer A

Curve tolerance according to ISO 9906

Motor data

 Motor brand : DAB
 Nominal power P2: 1.85 kW
 Rated speed : 2850 rpm
 Rated voltage : 3~ 230 V / 400 V 50 Hz
 Nominal current : 6.9 / 4 A
 Degree of protection : IP 55

Dimensions in
mm

A	558	DNM	1" G	H	255		
B	210	E	350	H1	158		
C	221	F	20	IO	11		
DNA	1"1/4 G	G	145				

Weight : 31 kg

Pump connection

 Suction side 1 " 1/4 G/ 8 bar (800 kPa)
 Discharge side 1 " G / 8 bar (800 kPa)



WATER • TECHNOLOGY

PERFORMANCE CURVES

07/12/2014

Page 2 / 3

DAB PUMPS S.p.A.
Via Marco Polo, 14 - 35035 Mestrino (PD), Italy
Tel. +39 049 5125000 - Fax +39 049 5125950
www.dabpumps.com

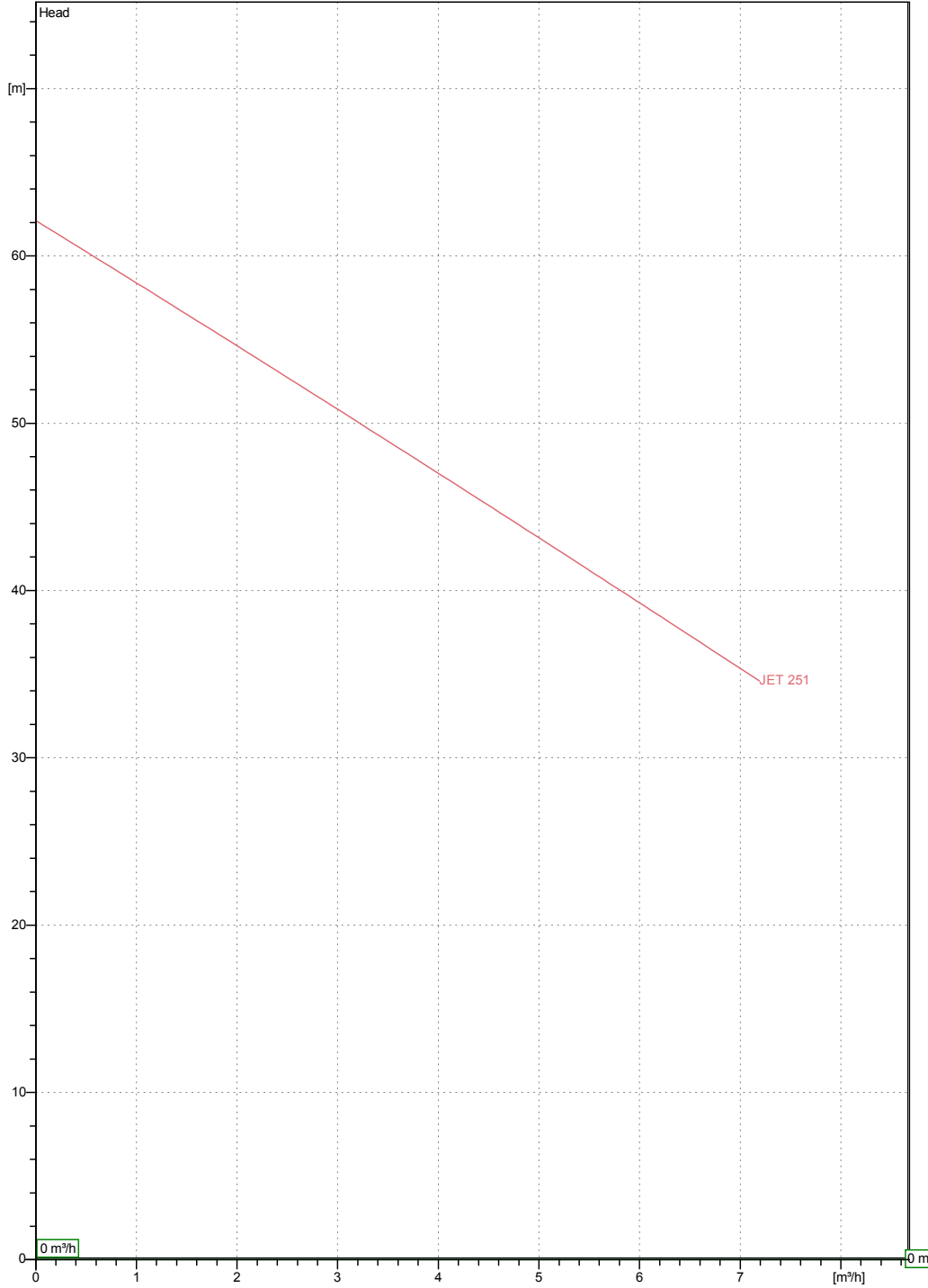
Receiver

From

Society
Reference
Address
Phone
Fax
E-mail

JET 251 T

Curve tolerance according to ISO 9906



Hydraulic data (duty point)

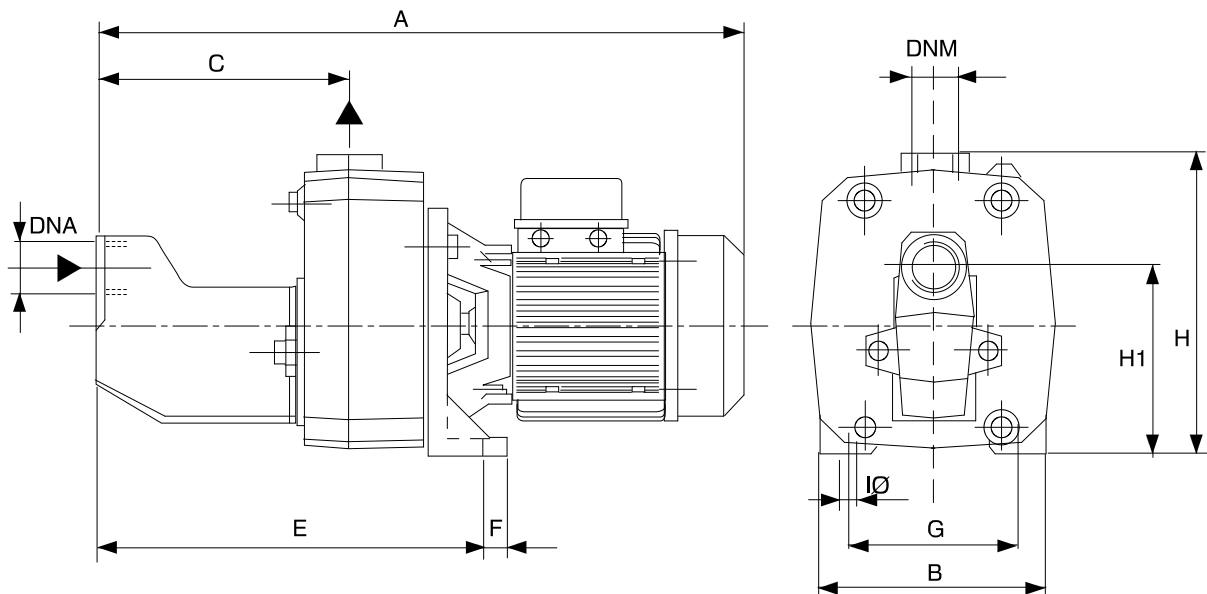
Suction side 1 " 1/4 G 8 bar (800 kPa)	Discharge side 1 " G 8 bar (800 kPa)	Flow : 0 m³/h	Head : 0 m	Rated speed : 2850 rpm
Project	Project ID	Created by	Created on 07/12/2014	

Receiver

From

Society
 Reference
 Address
 Phone
 Fax
 E-mail

JET 251 T


Dimensions in mm

1	A	558	I O	11		
2	B	210				
3	C	221				
4	DNA	1"1/4 G				
5	DNM	1" G				
6	E	350				
7	F	20				
8	G	145				
9	H	255				
10	H1	158				

Pump connection

Suction
 1 " 1/4 G
 8 bar (800 kPa)

Discharge
 1 " G
 8 bar (800 kPa)

Project

Project ID

Created by

Created on

07/12/2014