

Receiver	From
Society	-
Reference	-
Address	-
Phone	-
Fax	-
E-mail	-

Item n° :
 102120004

Model :
 K 35/40 M

Pump data

 MEI ≥
 Pressure rating : 6 bar (600 kPa)
 Min. fluid temperature : -10 °C
 Max. fluid temperature : 50 °C
 Max. Ambient temperature : 40 °C

Requested data

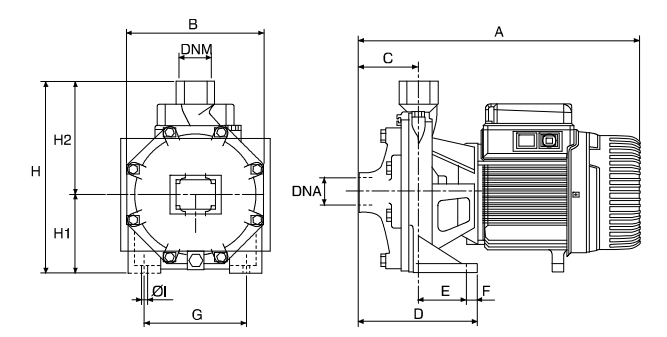
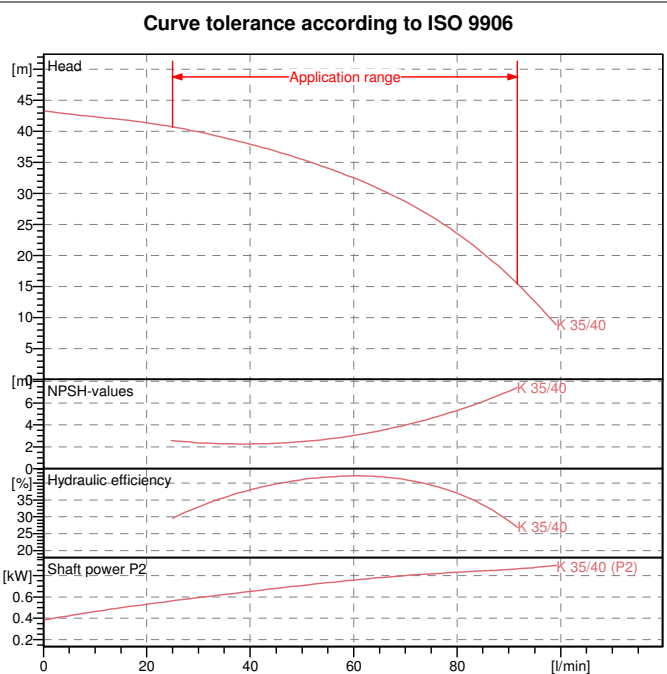
 Flow : 0.00 l/min
 Head : 0.00 m
 Fluid : Water
 Fluid Temperature : 20 °C
 Density : 62.315 lb/ft³
 Kinematic viscosity : 1.0769E-5 ft²/s
 Vapor pressure : 2.20 kPa

Hydraulic data (duty point)

 Flow :
 Head :
 NPSH :
 Shaft power P2 :
 Efficiency :

Materials

 Pump body : Cast iron 200 UNI ISO 185
 Support : Cast iron 200 UNI ISO 185
 Impeller : Technopolymer A
 Mechanical seal : Carbon/Ceramic
 OR ring : NBR Rubber
 Shaft with rotor : AISI 416 X12 CrS 13 UNI 6900/71
 Intermediate cover : Cast iron 200 UNI ISO 185



Weight : 35.053 lb

Motor data

 Motor brand : DAB
 Nominal power P2 : 0.75 kW
 Rated speed : 2800 rpm
 Rated voltage : 1~ 220-240 V 50 Hz
 Nominal current : 5.5 A
 Degree of protection : IP 44

Dimensions in mm			
A	362		
B	180		
C	76		
D	148		
DNA	1" G		
DNM	1" G		
E	72		
F	15		
G	148		
H	235		
H1	100		
H2	135		

Pump connection

 Suction side : 1" G / 6 bar (600 kPa)
 Discharge side : 1" G / 6 bar (600 kPa)



PERFORMANCE CURVES

2020-04-17

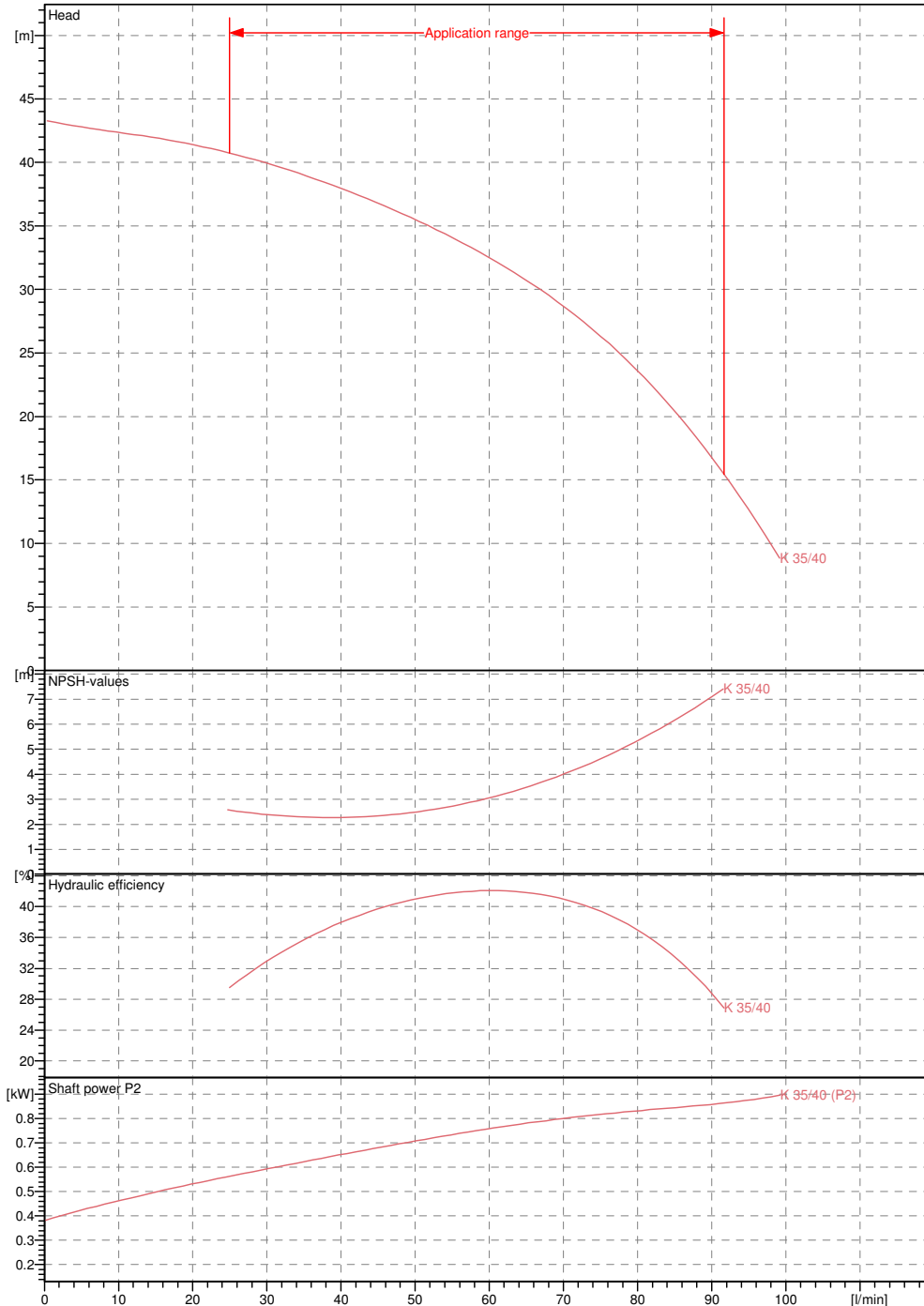
Page 4 / 5

DAB PUMPS S.p.A.
Via Marco Polo, 14 - 35035 Mestrino (PD), Italy
Tel. +39 049 5125000 - Fax +39 049 5125950
www.dabpumps.com

	Receiver	From
Society	-	-
Reference	-	-
Address	-	-
Phone	-	-
Fax	-	-
E-mail	-	-

K 35/40 M

Curve tolerance according to ISO 9906



Hydraulic data (duty point)

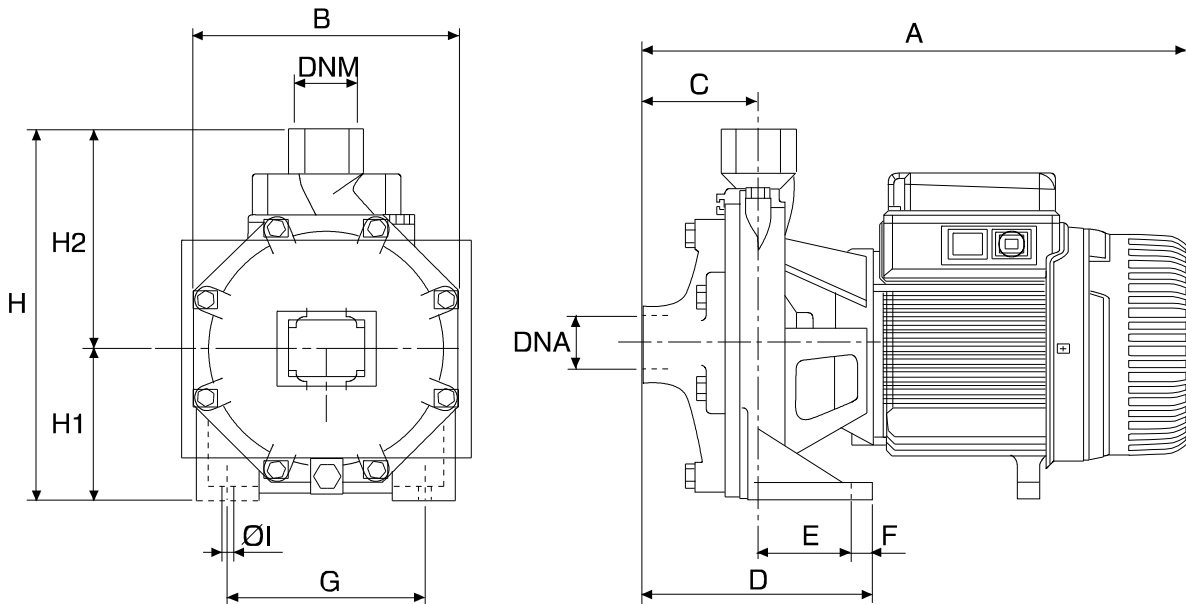
Suction side : 1" G 6 bar (600 kPa)	Discharge side : 1" G 6 bar (600 kPa)	Flow : 0 l/min	Head : 0 m	Rated speed : 2800 rpm
Project	Project ID	Created by	Created on 2020-04-17	

Receiver

From

Society
 Reference
 Address
 Phone
 Fax
 E-mail

K 35/40 M


Dimensions in mm

1	A	362	H1	100		
2	B	180	H2	135		
3	C	76	Ø	9.5		
4	D	148				
5	DNA	1" G				
6	DNM	1" G				
7	E	72				
8	F	15				
9	G	148				
10	H	235				

Pump connection

Suction
 1" G
 6 bar (600 kPa)

Discharge
 1" G
 6 bar (600 kPa)

Project

Project ID

Created by

Created on

2020-04-17