



The pump is a self-priming surface mounted pressure system pump supplied with plug and play leads (IEC type). The self-priming ability provides excellent suction capacity of up to 9m. Used especially for supplying water to domestic installations.

**The pump is characterised by:**

- Automatic electronic pump control fitted and wired with plug and play leads so a licensed electrician is not required during installation.
- Includes fully electronic pump controller for automatic pump starting, stopping and restart after power loss and water loss.
- Run dry protection to prevent pump damage
- Automatic electronic control has in-built check valve to prevent water backflow through the pump.
- 2.2bar pump cut in for greater versatility.
- Corrosion resistant pump body, diffuser and impeller to ensure pump durability
- High quality mechanical shaft seal and high quality bearings
- 240V single phase TEFC motor with in-built auto reset thermal overload to prevent the pump from overheating.

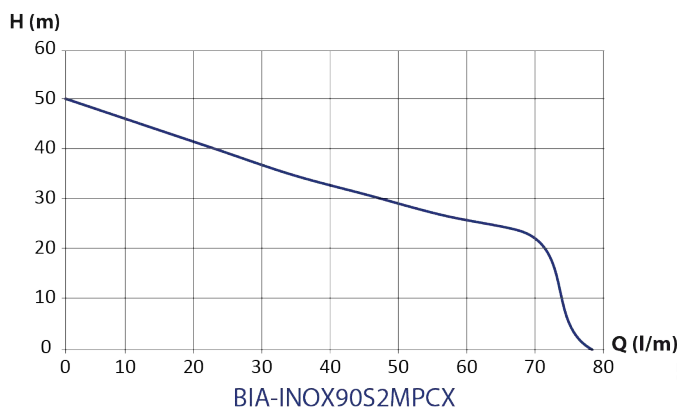
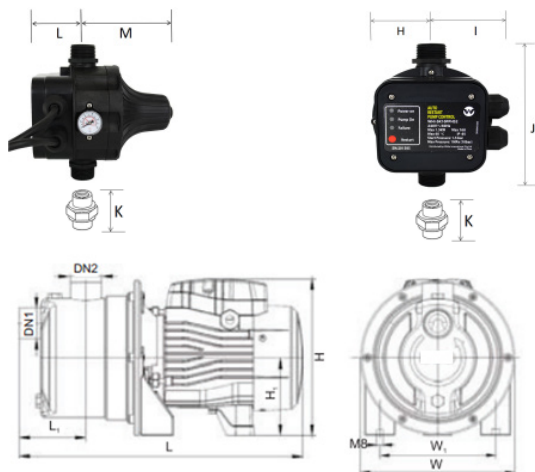
**Applications**

- Used especially for supplying water to domestic installations and applications where a suction lift is required.

**Package Information**

- 13 kg
- L 420mm x W 230mm x H 460mm

<b>Liquid:</b>	<b>Electrical data:</b>
Liquid Type: Clean Water Clean water temperature range: 2 – 40°C	Rated voltage: 220 (-6%) -240V (+6%) Mains frequency: 50 Hz P2 (kW): 0.9 (Shaft Power) Current: 6 amps Capacitor: 25 uF Motor duty: Continuous Motor type: Asynchronous, TEFC Motor protection: In-built thermal overload Ingress protection: IP X4 Insulation class: F Net weight: 13 kg
<b>Materials:</b>	<b>Hydraulic Data:</b>
Pump body: Stainless Steel 304, Jet/Venturi, Diffuser, Impeller: Noryl Glass Reinforced Mechanical seal: Carbon/Ceramic/Nitrile O rings: Nitrile Power Cable: 2m Cable H05 3G1.0	Max Head: <u>50</u> m Max Flow: <u>78</u> l/min Number taps: 6
<b>Installation:</b>	
Maximum ambient temperature: 40oC Maximum operating pressure: 6 bar Pipe connections suction/discharge: 1" BSPF / 1" BSPM Dimensions: 420mm L x 460mm H x 230mm W	



DN1	DN2	A (mm)	B (mm)	C (mm)	D (mm)	E (mm)	F (mm)
1"	1"	376	200	214	88.5	140	107

H (mm)	I (mm)	J (mm)	K (mm)	L (mm)	M (mm)
64	81	177	70	62	116

