

AcquaSaver®



Water Diversion Valve

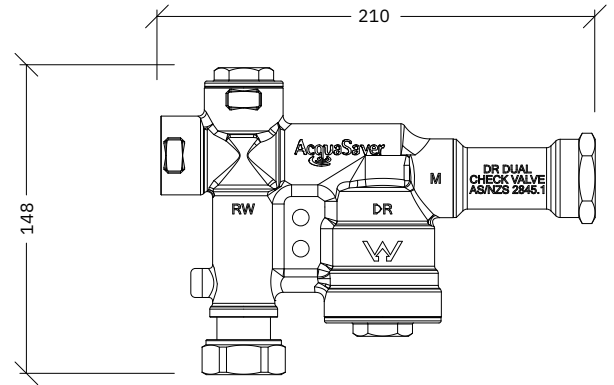
- ✓ Hydraulically Operated
- ✓ Solid Brass Construction
- ✓ Built-in Dual Check Valves



AcquaSaver®

The AcquaSaver® Valve is a fully automatic mechanical rainwater/mains water changeover device designed for pressure pump supply systems for harvesting rainwater for the toilet, laundry and household applications with automatic mains backup.

It is suitable for up to 2 toilets and washing machine and an extra tap outlet.



Features

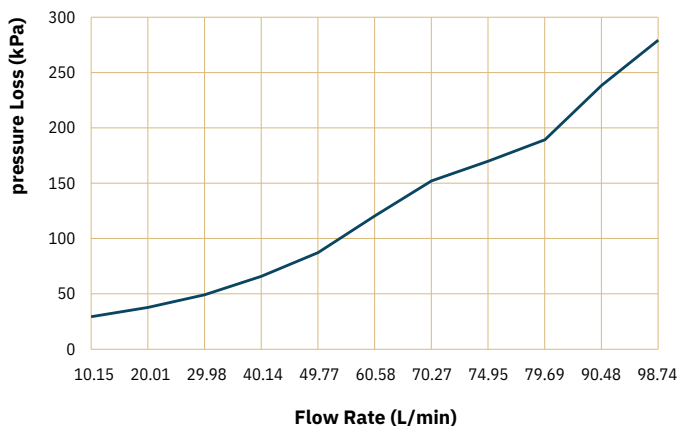
- ✓ Easy to install
- ✓ Patent design
- ✓ Solid Brass mounting bracket (optional)
- ✓ Watermark approved to WMTS-477:2016
- ✓ Does not require regular maintenance
- ✓ No electrical consumption - No electronic components
- ✓ Solid brass construction - Fully weatherproof - Built to last
- ✓ Suitable for any pressure pump with sufficient head pressure
- ✓ Can be mounted in any position
- ✓ Dual Outlets
- ✓ Built-in dual check valve for backflow prevention
- ✓ 3 Year warranty

Specifications

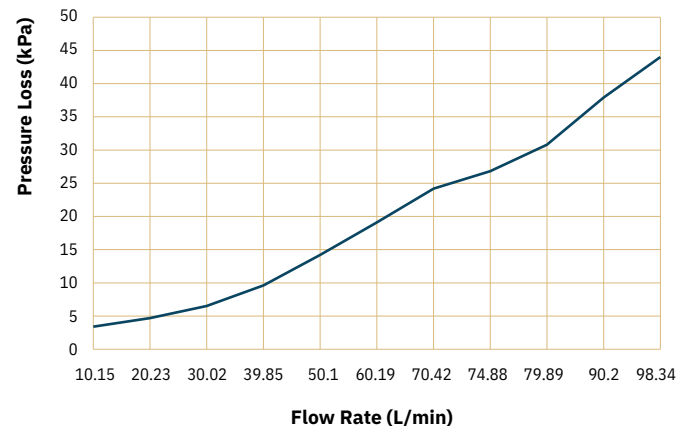
Max Mains Pressure	1000 KPa
Min Pump pressure	350 KPa
Max Flow Rate	100 LPM
Max Water Temperature	50° C
Min Water Temperature	0° C *
Pump Inlet	25mm 1" BSP F
Mains Water in	25mm 1" BSP F
Outlets	25mm 1" BSP F
Weight	1.6 KG

*Ensure proper protection against freezing weather. Complies to AS/NZS 3500.1 when installed by a licensed plumber.

Flow vs. Pressure curve - Mains Inlet



Flow vs. Pressure curve - Pump Inlet



WHITE INTERNATIONAL PTY LTD

60 Ashford Ave Milperra NSW 2214
 PO Box 304 Milperra NSW 2214
 Phone 02 9783 6000 Fax 02 9783 6001
 Customer Service 1300 783 601
 Email Sales: pumpsales@whiteint.com.au
www.whiteint.com.au

WHITE INTERNATIONAL NZ LTD

15G Kerwyn Avenue
 East Tamaki, Auckland 2013, New Zealand
 Phone 09 579 9777 Fax 09 579 7775
 Customer Service 0800 509 506
 Customer Service Fax 0800 804 344
 Email Sales: sales@whiteint.co.nz
www.whiteint.co.nz

