



PRODUCT DETAILS

The NXT BiANCO INOX90 is a stainless steel jet pump with an internal venturi which enables water to be drawn from below ground level.

Equally comfortable pumping from a tank, boosting low pressure water supply or working in conjunction with a rainwater changeover device.

Supplied with a pre-wired NXT CORE pressure controller, connect the inlet and outlet pipes, fill the pump with water and you're ready to go.

APPLICATIONS

- Household water supply - small dwellings
- Light garden irrigation
- Water transfer
- Washing systems
- Pressure boosting

FEATURES

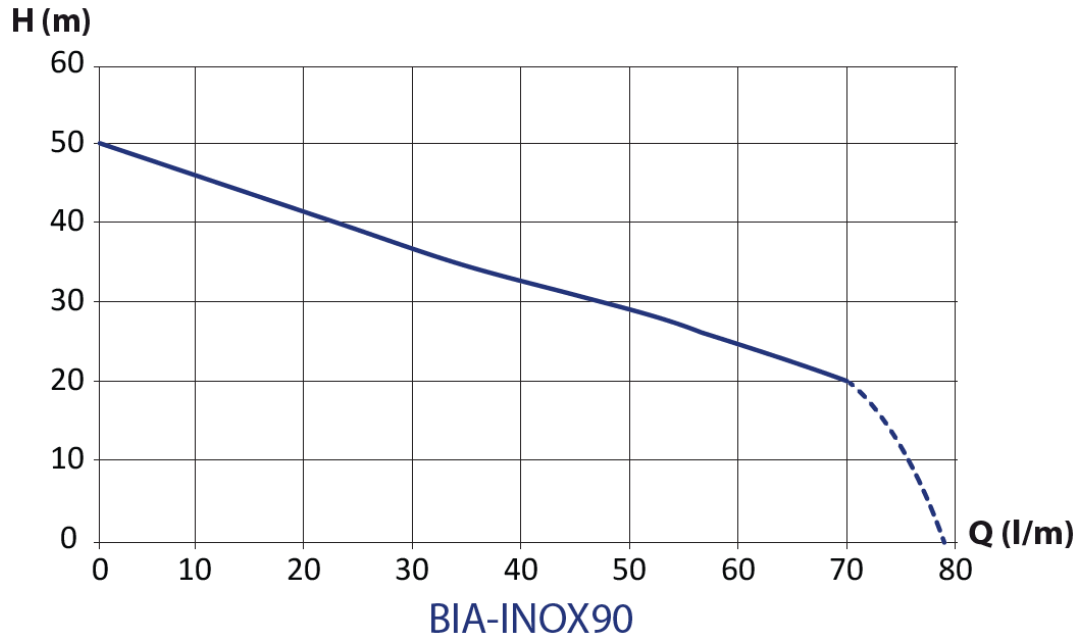
- Pump controller pre-set to start once the pressure falls below 2.2 bar. Button press user adjustment of start pressure
- Corrosion resistant pump body, diffuser and impeller to ensure pump durability
- High quality bearings and mechanical shaft seal
- 240V single phase TEFC motor with in-built auto reset thermal overload to prevent the pump from overheating
- Automatic pump starting, stopping and restart after power loss and/or water loss
- Inbuilt dry-run protection

TECHNICAL DATA

OUTPUT POWER (KW)	0.75kW P2
MAX. HEAD [M]	50M
MAX. FLOW L/MIN	79 l/min
MAX PRESSURE	Pump: 8 bar, Controller 10 bar
LIQUID TEMPERATURE	2 - 40 deg C
MOTOR	Asynchronous TEFC
MOTOR INSULATION	F Class insulation
MOTOR PROTECTION	In-built thermal overload
PROTECTION CLASS	IPX5
PRESSURE TANK	0.3 litre controller volume 3, 8 or 18 litre recommended

RATED VOLTAGE	220 - 240V 1Ph 50 Hz
RATED CURRENT	6A
CAPACITOR	25uF 450V
POWER CABLE	1.5m long 10 amp rated H05 flex 10 amp 3 pin plug
AUTOMATIC OPERATION	Yes - NXT CORE
PUMP BODY	304 Grade Stainless Steel
INTERNALS	Composite impeller / diffusers
MECHANICAL SEAL	Silicon Carbide/Carbon
PACKAGE DIMENSION	420 X 230 X 460MM
GROSS WEIGHT (KG)	13kg

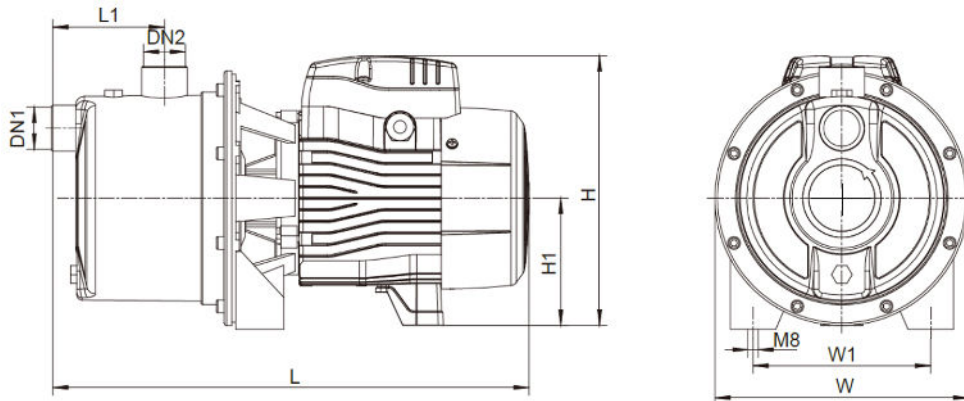
CURVE



DIMENSIONS

Height incl Controller

Approx 405mm



Model	DN1	Dn2	L (mm)	W (mm)	H (mm)	L1 (mm)	W1 (mm)	H1 (mm)
Inox 90	G1"	G1"	405	205	210	120	140	95

WARRANTY / CERTIFICATIONS

