

## Hot Water Circulator Pump

### HCP SERIES

### HCP2060



#### APPLICATION

- Hot water circulating for domestic and commercial hot water systems
- Cold water circulating for air-conditioning and cooling systems

#### FEATURES

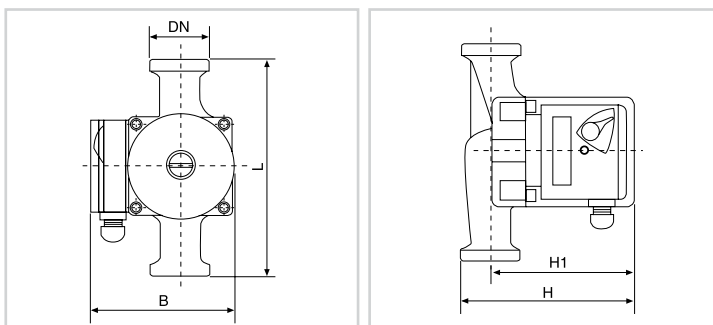
- In-line pump casing for easy installation
- Barrel unions on suction and delivery for easy install and maintenance
- 3-speed manual adjustment to suit various applications
- Manual bleed on start-up
- Low power consumption
- Reliable and maintenance free
- Quiet operation

#### CONSTRUCTION

- Pump Casing: Bronze DR
- Motor Shaft: Ceramic
- Impellers: PES Composite
- Bearings: Ceramic
- Seals: EPDM
- Motor IP44
- Insulation class H
- In-built capacitor and thermal protection

#### OPERATING LIMITS

- Clean water without abrasives or suspended solids
- Max. Liquid temperature 110°C
- Max. Ambient Temperature 40°C
- Max. Flow 60 L/min
- Max. Operating pressure 10 bar



#### DIMENSIONS

| Pump Model | Size (mm) |     |     |     | DN                 | G.W  |
|------------|-----------|-----|-----|-----|--------------------|------|
|            | H         | H1  | L   | B   |                    | (KG) |
| HCP2060    | 130       | 105 | 130 | 130 | G <sup>3/4</sup> " | 2.9  |

#### TECHNICAL DATA

| Pump Model | Speed | Power (Watt) | Amp  | Volts   | Head (m) | Flow (L/min) | Connections (Inlet/Outlet) | Port Spacing | Union (F) x (M) |
|------------|-------|--------------|------|---------|----------|--------------|----------------------------|--------------|-----------------|
| HCP2060    | 3     | 100          | 0.45 |         | 6        | 60           |                            |              |                 |
|            | 2     | 70           | 0.35 | 220-240 | 4.5      | 42           | 1"x1"                      | 130mm        | 1" x 3/4"       |
|            | 1     | 55           | 0.25 |         | 2.5      | 25           |                            |              |                 |

#### PERFORMANCE

