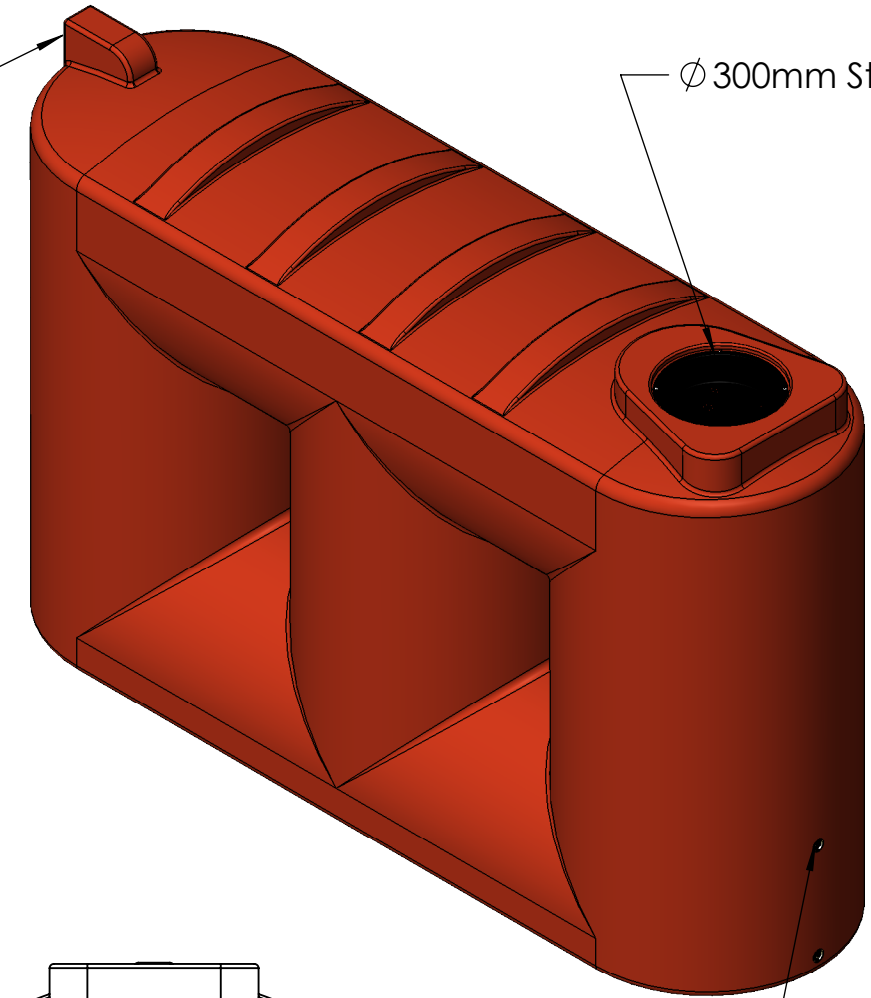
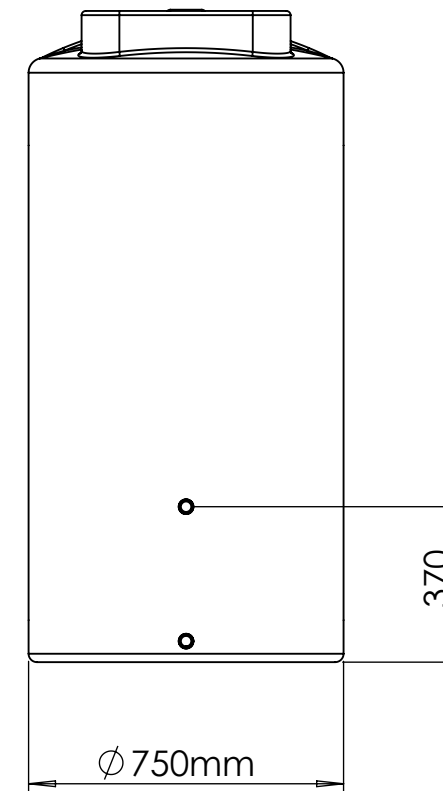
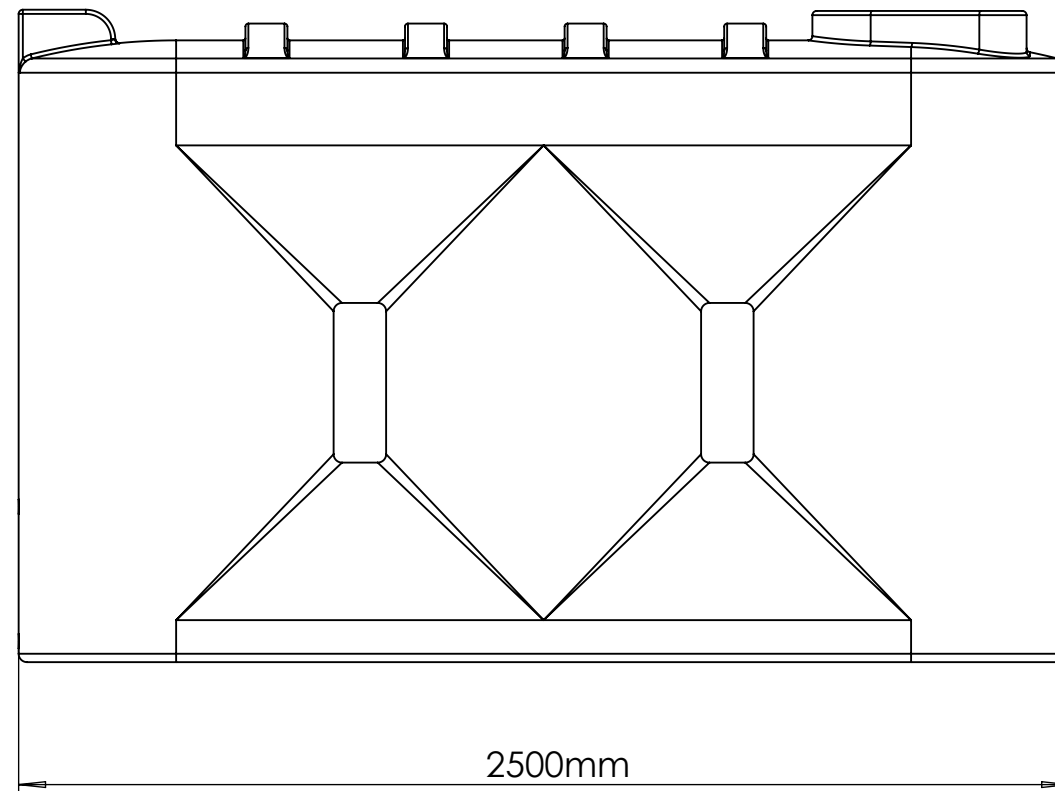
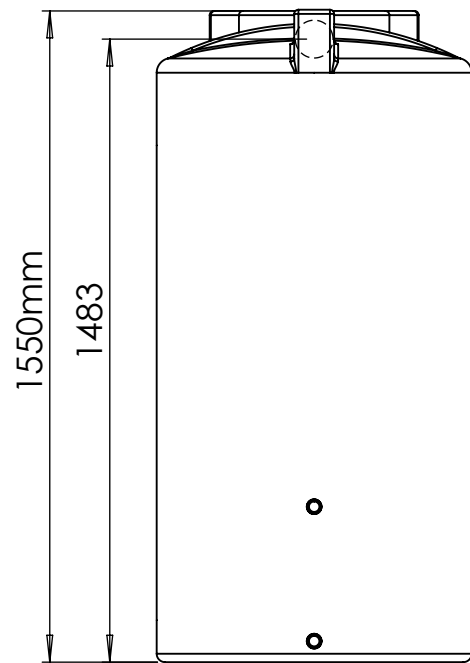


Overflow Location

Ø 300mm Strainer



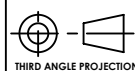
25mm Outlets x4



ROTOPLUS
 Factory 1 / 2 England Street
 Dandenong South VIC 3175
 (03) 9706 7779
 rotoplus.com.au

ROTOPLUS
 COPYRIGHT

THIS DRAWING REMAINS THE PROPERTY OF ROTOPLUS.
 THE CONTENTS OF THIS DRAWING IS STRICTLY CONFIDENTIAL AND MAY NOT BE
 REPRODUCED, IN WHOLE OR PART, WITHOUT WRITTEN APPROVAL OF THE OWNER.



A3

DRAWN P.O'CONNOR 21.07.21
 CHECKED

TITLE
2100L Squat Slimline Tank

TOLERANCE UNLESS OTHERWISE NOTED:

MATERIAL HDPE

SCALE

1:18

CUSTOMER

DRAWING No.

SLQ2100LT

REVISION

A

CAD FILE NAME

SlimLine Tank Assembly Drawings

SHT.No.

9 OF 16

REV.	COMMENT	DR'N	CK'D	DATE
A	COMMENTS			