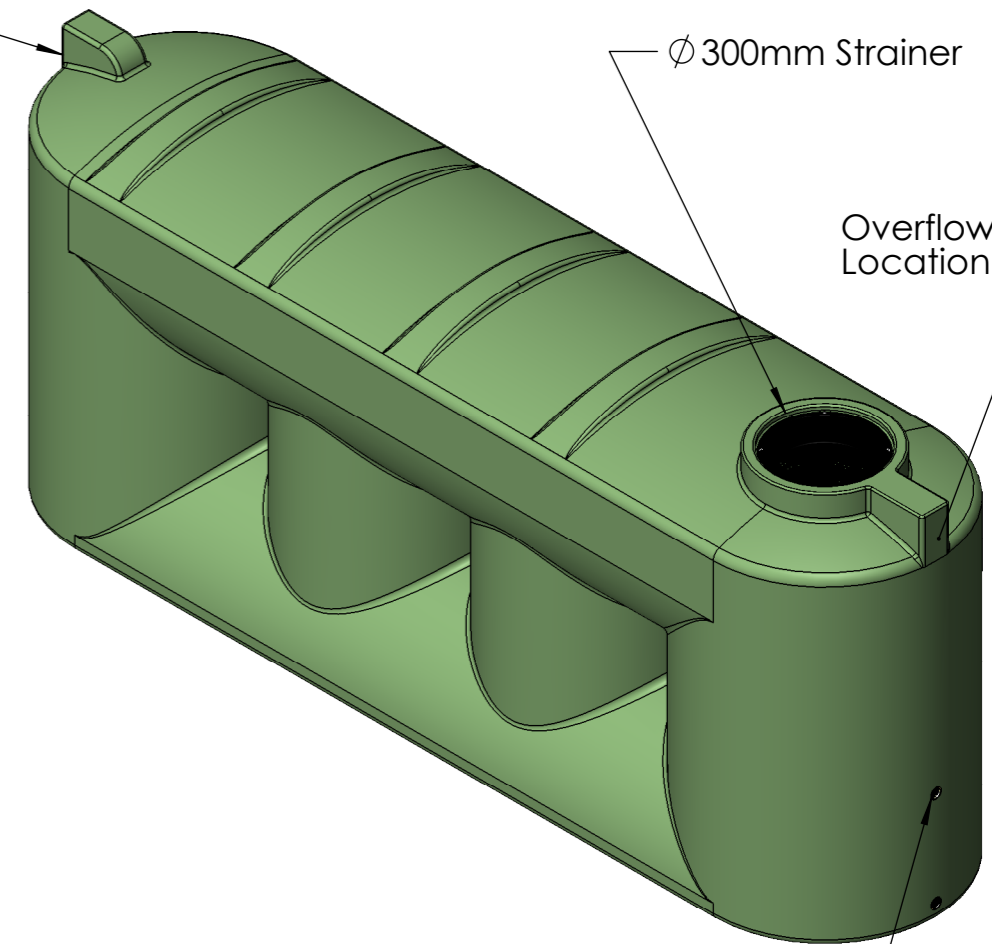


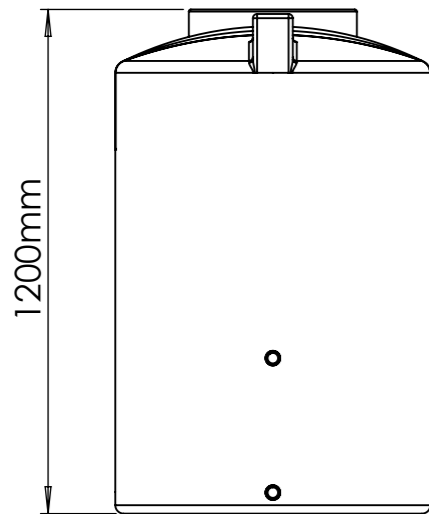
Overflow Location

Ø 300mm Strainer

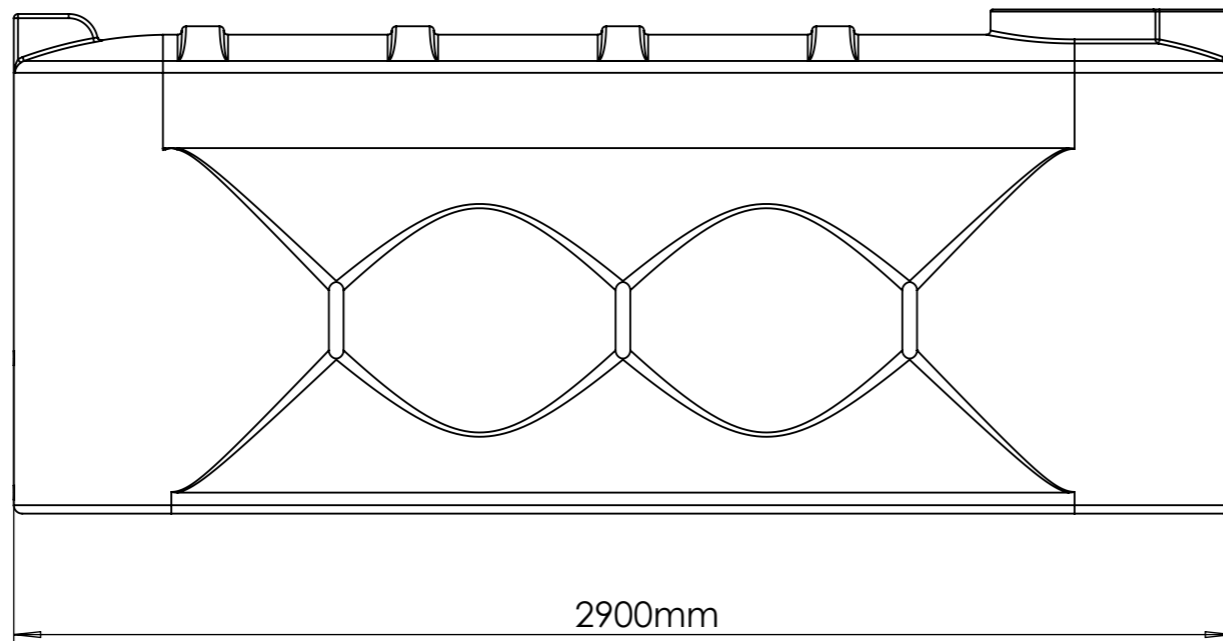
Overflow Location



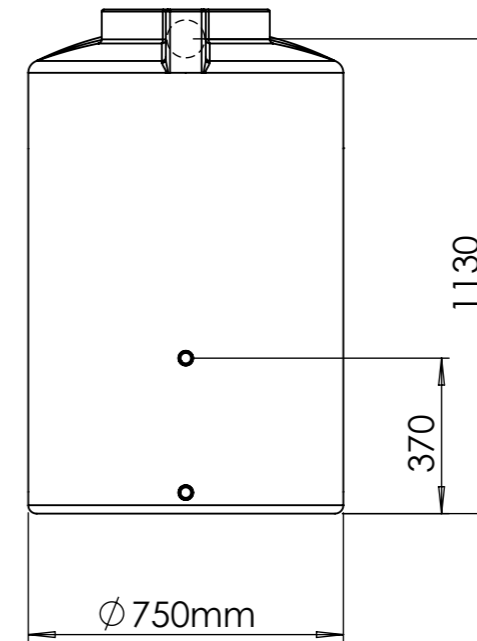
25mm Outlets x4



1200mm



2900mm



Ø750mm

1130

370

REV.	COMMENT	DR'N	CK'D	DATE
1				
A	COMMENTS			

ROTOPLUS
 Factory 1 / 2 England Street
 Dandenong South VIC 3175
 (03) 9706 7779
 rotoplus.com.au

ROTOPLUS
 COPYRIGHT
 THIS DRAWING REMAINS THE PROPERTY OF ROTOPLUS.
 THE CONTENTS OF THIS DRAWING IS STRICTLY CONFIDENTIAL AND MAY NOT BE
 REPRODUCED, IN WHOLE OR PART, WITHOUT WRITTEN APPROVAL OF THE OWNER.

A3
 THIRD ANGLE PROJECTION

DRAWN: P.O'CONNOR
 CHECKED: []
 DATE: 21.07.21

TITLE
2000L Lowline Slimline Tank

SCALE: 1:18

MATERIAL: HDPE
 FINISH: []

CUSTOMER
 DRAWING No. SL2000LL

REVISION
A

CAD FILE NAME: SlimLine Tank Assembly Drawings
 SHEET No. 7 OF 16