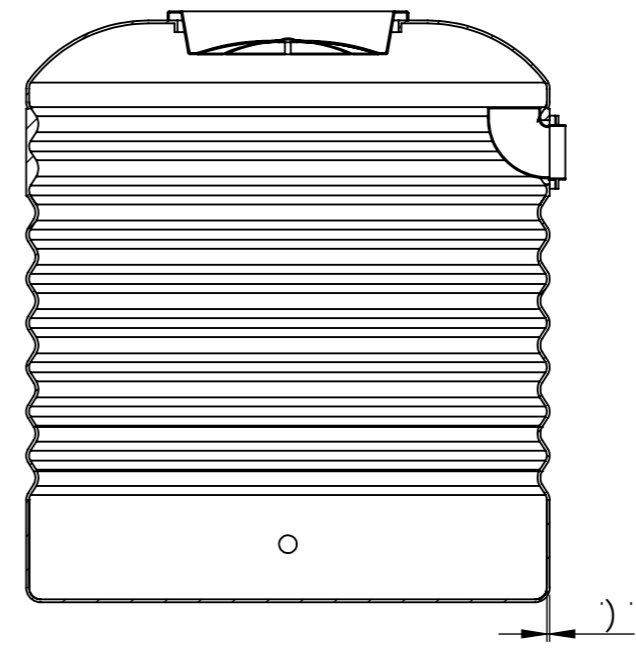
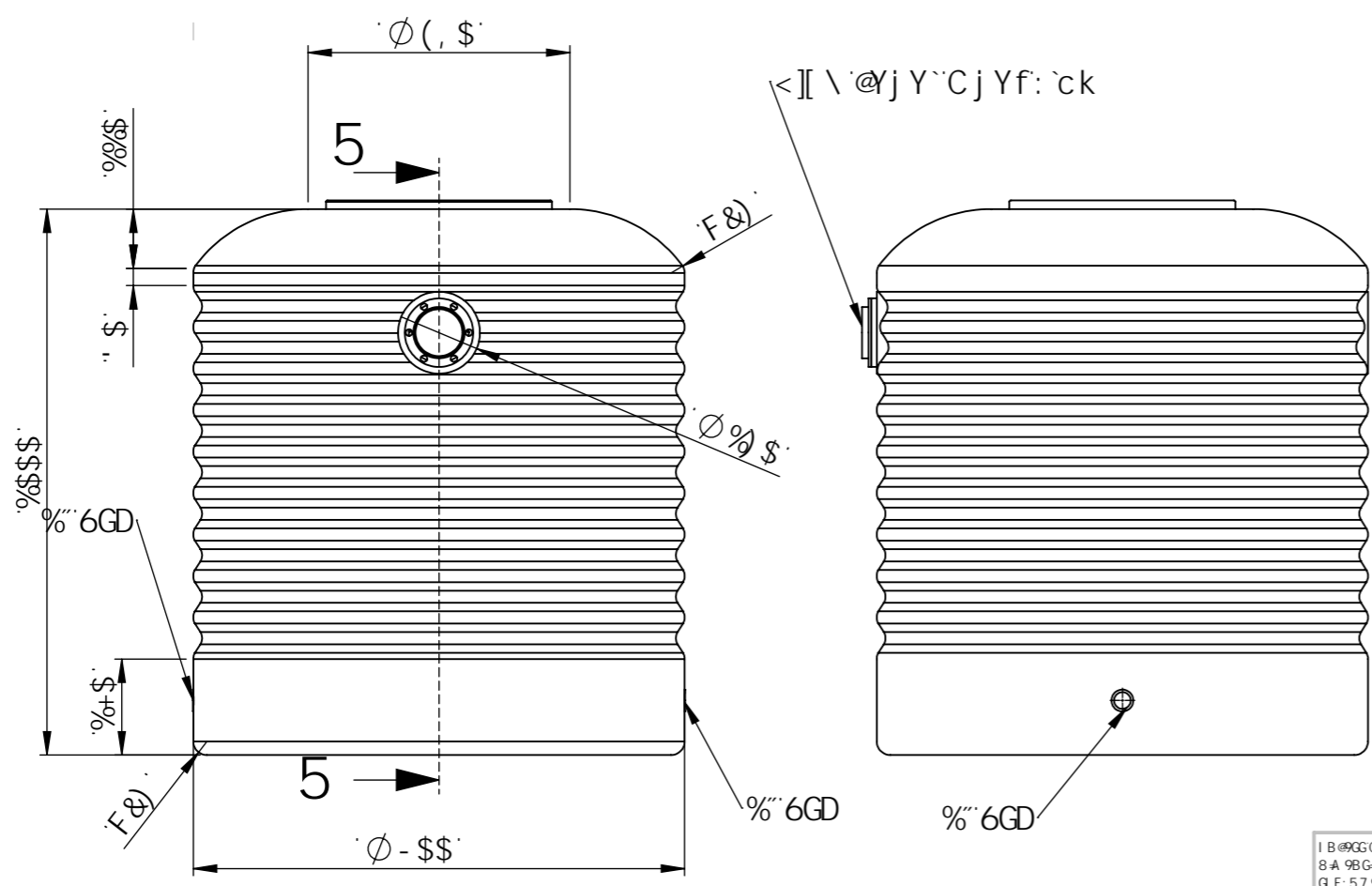
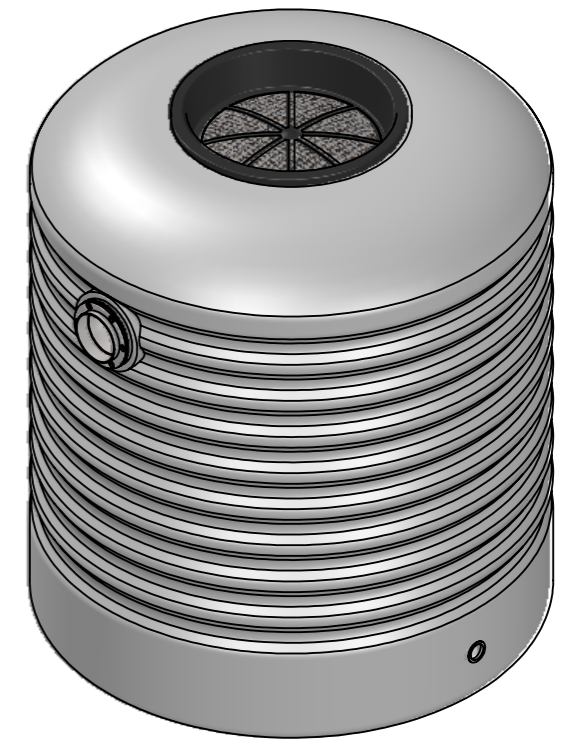


(\$\$'a a 'GfU]bYf



G97 HC B '5!5
G7 5@9%. '%



I B @9GC H: 9FK 49 GD97 = 98. B A 9B GC BC 5F9 B A @A 9HFG G F: 579: B G<. HC @F 5B7 9G @B 95 F. '5B: I @5F.			: B G<.			8 96! F 5B8 6F 95? G<5FD 98: 9G		8C BC H G7 5@9 8F5K B;		F9J GC B	
FC HC D@5 G'DHM@B											
5 ggm iFK H) \$\$G											
B5A 9 G= B5H F9 85H9						HH9.		5 ggm iFK H) \$\$G		5'	
A 5H9F 5@ Dc `mY h\ `mY bY						8K: 'BC"					
K 9= <H'						G7 5@9.%&\$		G< 99H% C: %			