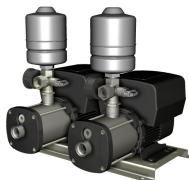




Company name: ASC Water Tanks
Created by: Anant Yuvarajah
Phone: 03 8795 7715
Email: sales@asc tanks.com.au
Date: 20/07/2020

Qty. Description

1 CMBE TWIN 3-93 I-U-C-C-D-A



Product No.: [99282855](#)

The Grundfos CMBE TWIN Booster is a compact two-booster system for water supply in domestic and commercial applications. The integrated speed controller allows the CMBE Booster to maintain constant pressure in the pipe system. A pressure sensor monitoring changes in the water consumption will signal the speed controller to change the motor speed. This way performance is adjusted according to the new state, thus running in cascade multi pump. The cascade control ensures that the performance of the CMBE Booster is automatically adapted to consumption by switching pumps on or off and by changing the speed of the pumps in operation. The system thus runs as energy-efficiently as possible with a limited number of pumps. The CMBE-TWIN Booster is very easy to install. It has UL approval.

The CME Booster consists of
2 units of CMBE Booster which each include

- 5-way valve
expansion tank
pressure gauge
Pressure sensor

Features

- Cascade multi pump operation
Automatic pump alternation
Constant pressure control
Pipe filling
Compact design
Robust, stainless steel
Easy installation (Plug & Pump)
Dry run protection

Applications

- Apartment buildings
Schools
Small hotels
Office buildings
Agriculture

Thermal protection CME Booster pumps require no external motor protection. The MGE motor incorporates thermal protection against slow overloading and blocking (IEC 34.11: TP211).

NB:

Suction lift: Max. 1 m, including suction-pipe pressure loss at a liquid temperature of +20 °C. (not self-priming)

Liquid:

Pumped liquid: Water
Liquid temperature range: 0 .. 60 °C
Selected liquid temperature: 20 °C
Density: 998.2 kg/m³



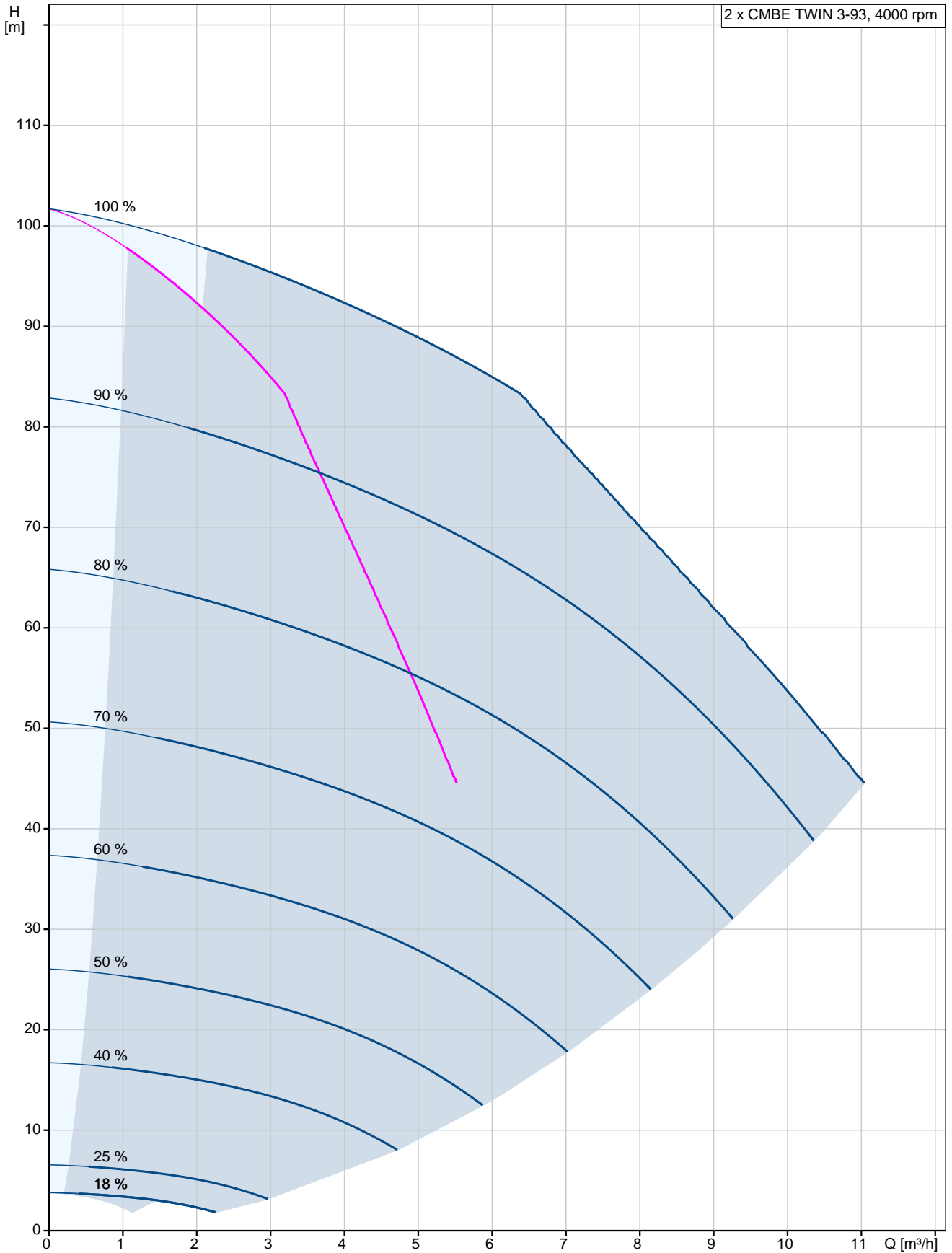
Company name: ASC Water Tanks
Created by: Anant Yuvarajah
Phone: 03 8795 7715
Email: sales@asc tanks.com.au
Date: 20/07/2020

Qty.	Description
	<p>Technical: Pump speed on which pump data are based: 3868 rpm Rated flow: 4.2 m³/h Rated head: 66.3 m Primary shaft seal: AVBE Approvals and markings: CE Curve tolerance: ISO9906:2012 3B Start pressure: Integrated Frequency converter</p> <p>Materials: Pump housing: Stainless steel EN 1.4301 AISI 304 Impeller: Stainless steel DIN W.-Nr. 1.4301 AISI 304 Rubber: EPDM</p> <p>Installation: Maximum ambient temperature: 55 °C Flange standard: WHITWORTH THREAD RP Pump inlet: Rp 1 Pump outlet: Rp 1</p> <p>Electrical data: Rated power - P2: 1.5 kW Mains frequency: 50 / 60 Hz Rated voltage: 1 x 200-240 V Maximum current consumption: 9.10-7.60 A Enclosure class (IEC 34-5): IP55 Insulation class (IEC 85): F Type of cable plug: AU Mains cable: 1.5 m</p> <p>Tank: Tank volume: 4 l</p> <p>Others: Net weight: 44.4 kg Gross weight: 52.1 kg</p>



Company name: ASC Water Tanks
Created by: Anant Yuvarajah
Phone: 03 8795 7715
Email: sales@asc tanks.com.au
Date: 20/07/2020

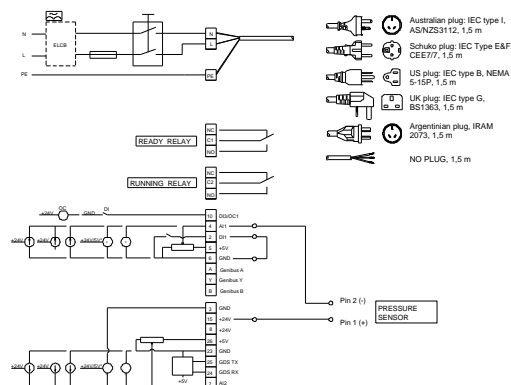
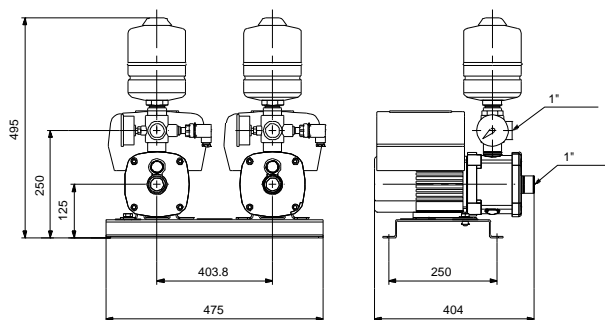
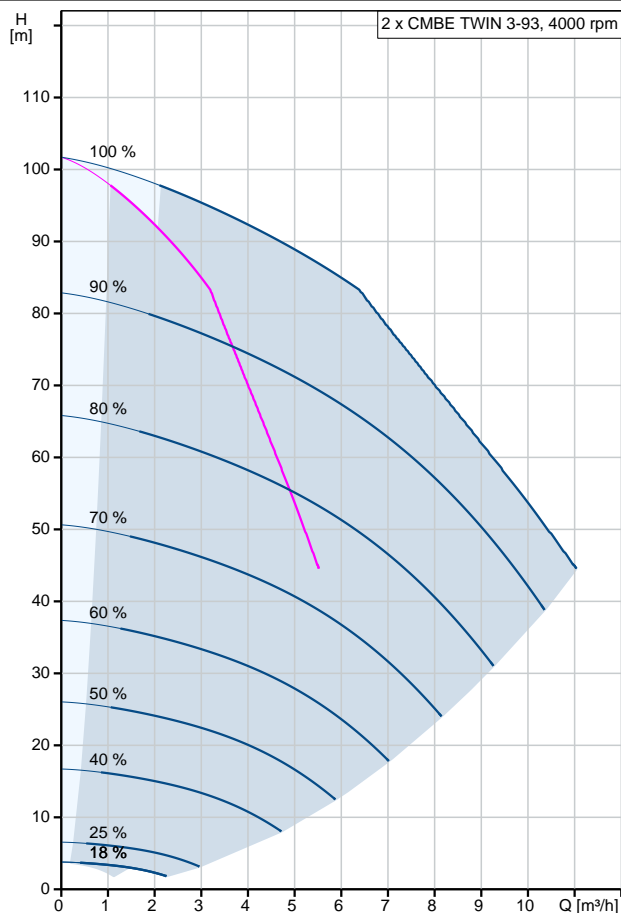
99282855 CMBE TWIN 3-93 I-U-C-C-D-A





Company name: ASC Water Tanks
Created by: Anant Yuvarajah
Phone: 03 8795 7715
Email: sales@asc tanks.com.au
Date: 20/07/2020

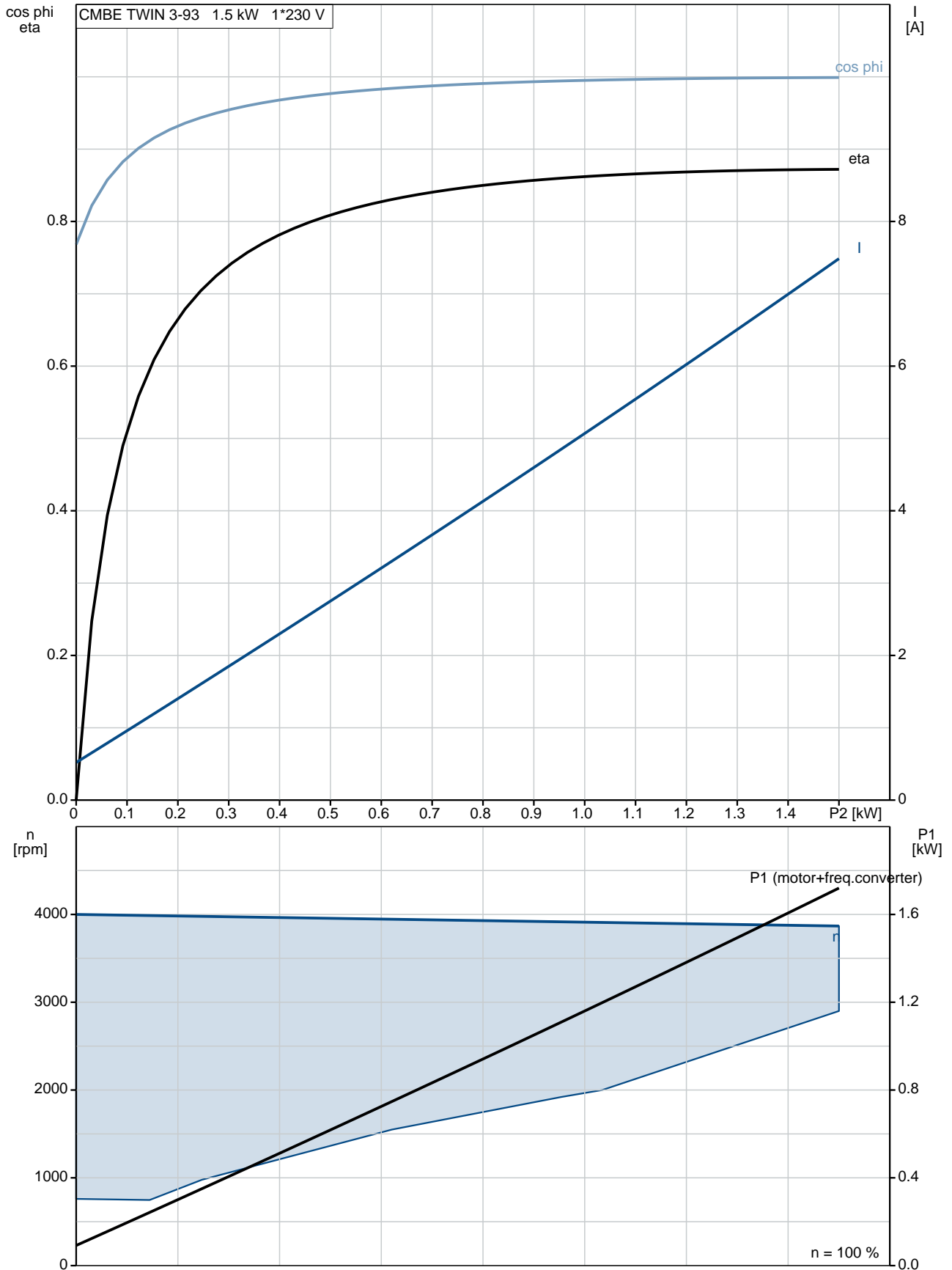
Description	Value
General information:	
Product name:	CMBE TWIN 3-93 I-U-C-C-D-A
Product No:	99282855
EAN number:	5713826531560 5713826531560
Technical:	
Pump speed on which pump data are based:	3868 rpm
Rated flow:	4.2 m ³ /h
Rated head:	66.3 m
Impellers:	6
Primary shaft seal:	AVBE
Approvals and markings:	CE
Curve tolerance:	ISO9906:2012 3B
Number of pumps:	2
Model:	A
Start pressure:	Integrated Frequency converter
Materials:	
Pump housing:	Stainless steel EN 1.4301 AISI 304
Impeller:	Stainless steel DIN W.-Nr. 1.4301 AISI 304
Rubber:	EPDM
Installation:	
Maximum ambient temperature:	55 °C
Flange standard:	WHITWORTH THREAD RP
Pump inlet:	Rp 1
Pump outlet:	Rp 1
Liquid:	
Pumped liquid:	Water
Liquid temperature range:	0 .. 60 °C
Selected liquid temperature:	20 °C
Density:	998.2 kg/m ³
Electrical data:	
Rated power - P2:	1.5 kW
Mains frequency:	50 / 60 Hz
Rated voltage:	1 x 200-240 V
Maximum current consumption:	9.10-7.60 A
p max system:	10 bar
Enclosure class (IEC 34-5):	IP55
Insulation class (IEC 85):	F
Type of cable plug:	AU
Mains cable:	1.5 m
Tank:	
Tank volume:	4 l
Others:	
Net weight:	44.4 kg
Gross weight:	52.1 kg
Config. file no:	98442578





Company name: ASC Water Tanks
Created by: Anant Yuvarajah
Phone: 03 8795 7715
Email: sales@asc tanks.com.au
Date: 20/07/2020

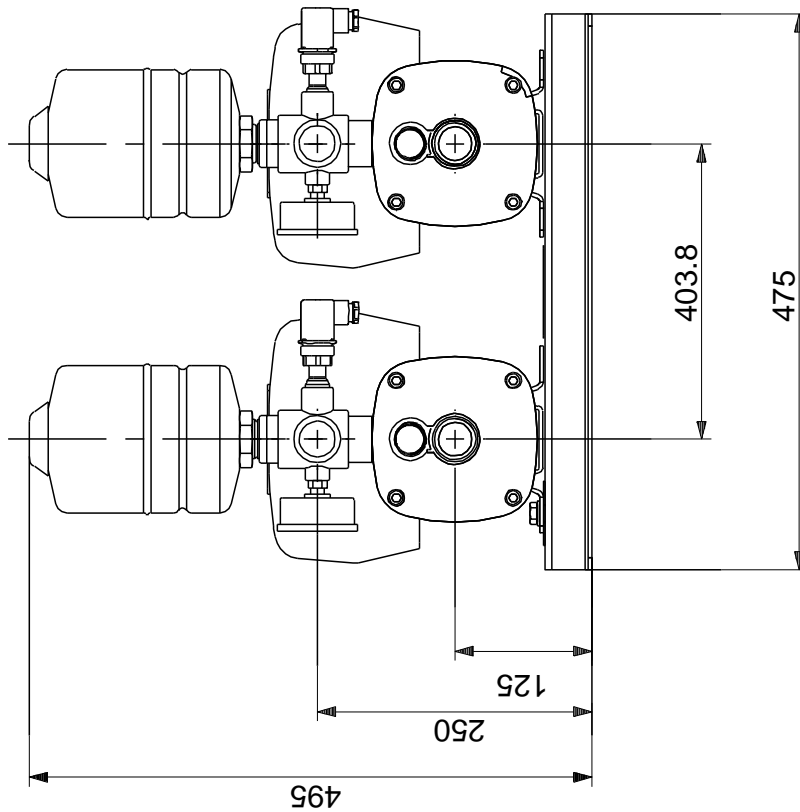
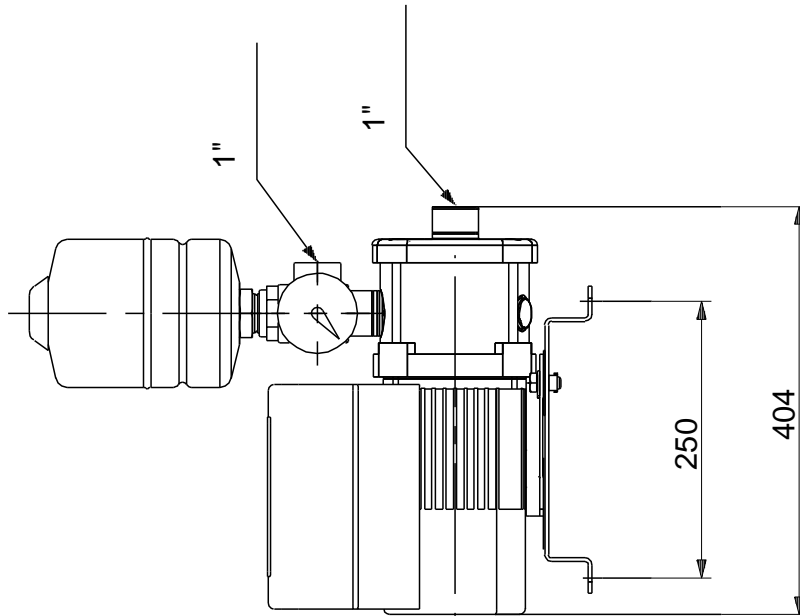
99282855 CMBE TWIN 3-93 I-U-C-C-D-A





Company name: ASC Water Tanks
Created by: Anant Yuvarajah
Phone: 03 8795 7715
Email: sales@asctanks.com.au
Date: 20/07/2020

99282855 CMBE TWIN 3-93 I-U-C-C-D-A

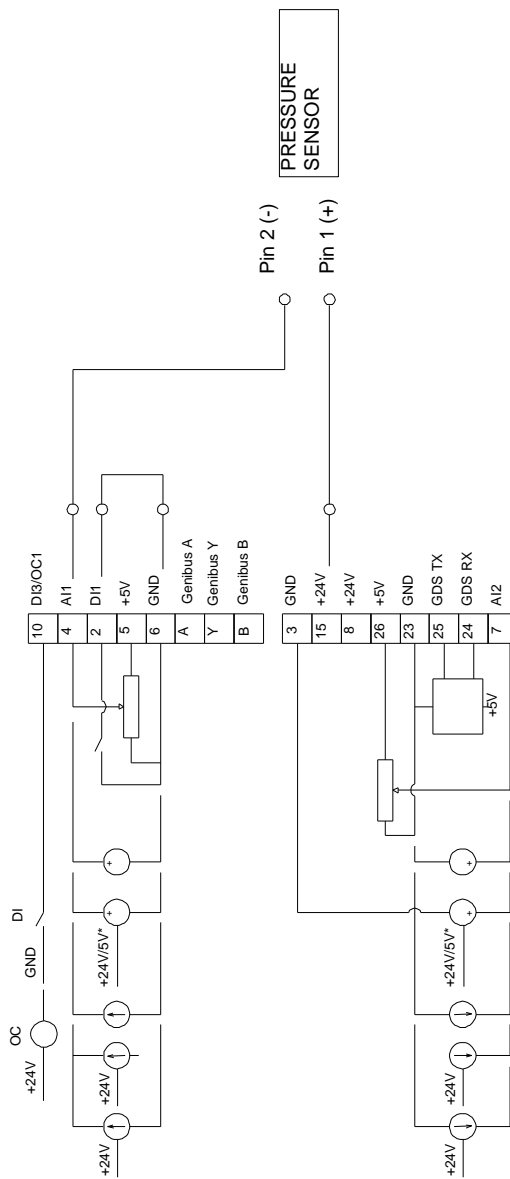
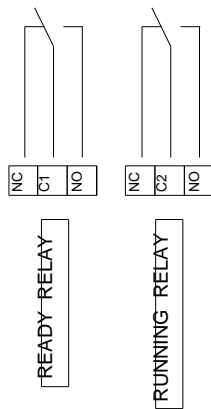
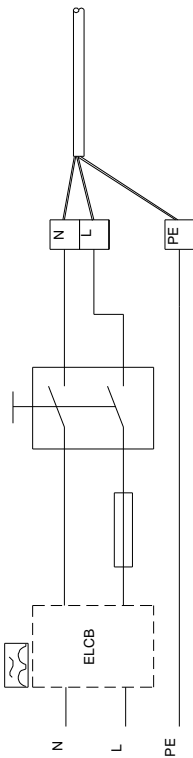
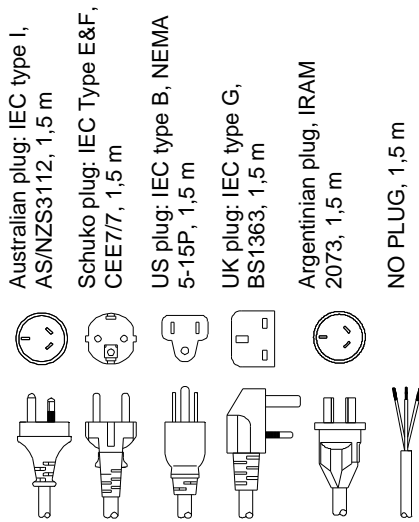


Note! All units are in [mm] unless others are stated.
Disclaimer: This simplified dimensional drawing does not show all details.



Company name: ASC Water Tanks
Created by: Anant Yuvarajah
Phone: 03 8795 7715
Email: sales@asc tanks.com.au
Date: 20/07/2020

99282855 CMBE TWIN 3-93 I-U-C-C-D-A



Note! All units are in [mm] unless others are stated.