

**Qty. Description**

1 PM 1



**Note! Product picture may differ from actual product**

Product No.: [96848701](#)

The Grundfos PM 1 pressure manager is designed for automatic start/stop control of Grundfos pumps and other water supply pumps.

The PM 1 is suitable for applications where start/stop of the pump according to consumption is needed.

It is the basic control solution offering start at 2.2 bar bar.

The PM 1 starts the pump when the start pressure is reached, and the pump keeps running as long as there is a flow.

The PM 1 offers dry-running protection and cycling alarm for increased safety.

**Controls:**

Dry running protection: YES

**Liquid:**

Liquid temperature range: 0 .. 40 °C

**Technical:**

Approvals: CE,C-TICK,EAC,WEEE

Return valve: YES

Adjustable start pressure: N

Start pressure: 2.2 bar

Tank volume: 0.1 l

**Installation:**

Max. ambient: 50 °C

Inlet connect: G1"

Outlet connect: G1"

Inlet thread: External

Outlet thread: External

Pres. Read-out: NO

**Electrical data:**

P1 max.: 1200 W

Mains frequency: 50 / 60 Hz

Suitable for 50/60 Hz: YES

Rated voltage: 1 x 220-240 V

Maximum current consumption: 10 A

Enclosure class (IEC 34-5): IP65

**Others:**

Net weight: 0.89 kg

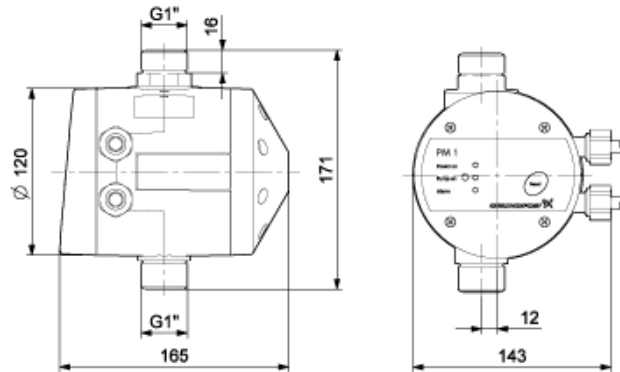
Gross weight: 1.65 kg

Shipping volume: 0.008 m<sup>3</sup>

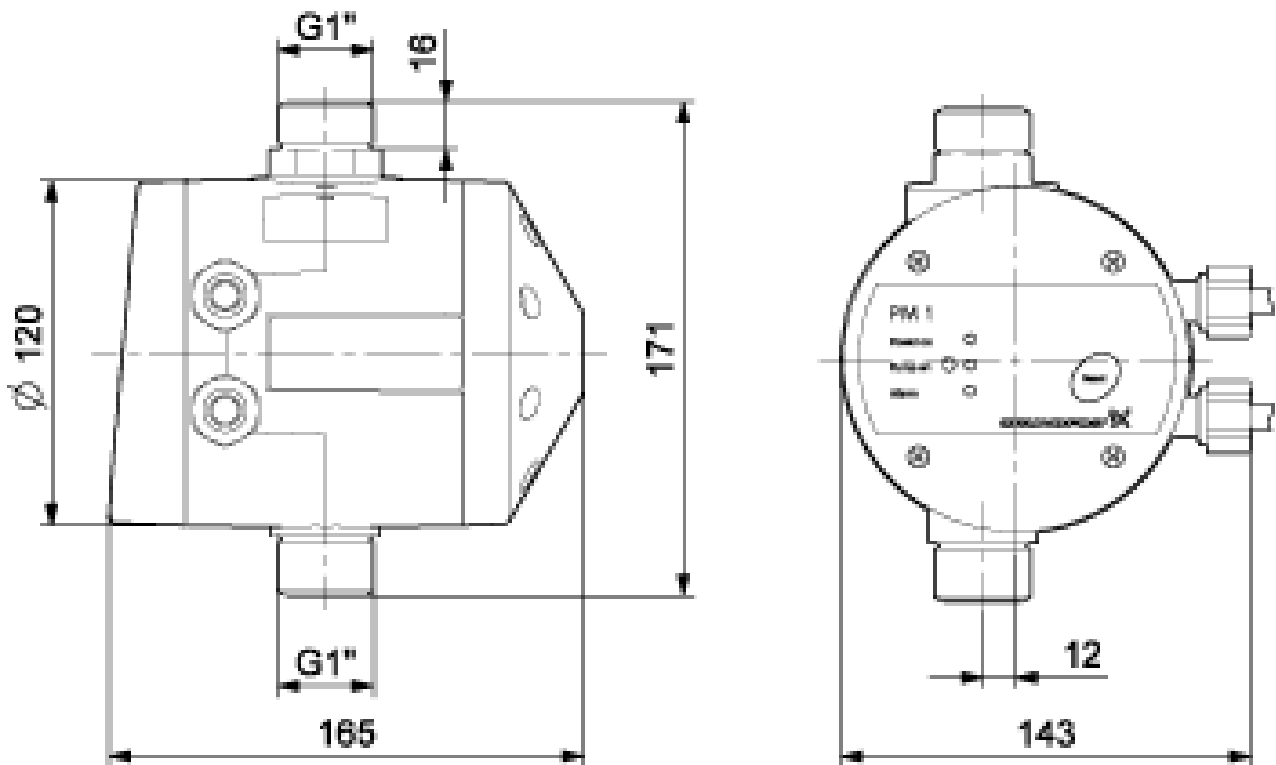
Country of origin: IT

Custom tariff no.: 8537109019

Description	Value
<b>General information:</b>	
Product name:	PM 1
Product No:	96848701
EAN number:	5700311918210
Price:	AUD 224
<b>Technical:</b>	
Approvals:	CE, C-TICK, EAC, WEEE
Return valve:	YES
Adjustable start pressure:	N
Start pressure:	2.2 bar
Tank volume:	0.1 l
<b>Installation:</b>	
Max. ambient:	50 °C
Cut-in pressure:	2.2 bar
Inlet connect:	G1"
Outlet connect:	G1"
Inlet thread:	External
Outlet thread:	External
Pres. Read-out:	NO
<b>Liquid:</b>	
Liquid temperature range:	0 .. 40 °C
<b>Electrical data:</b>	
P1 max.:	1200 W
Mains frequency:	50 / 60 Hz
Suitable for 50/60 Hz:	YES
Rated voltage:	1 x 220-240 V
Maximum current consumption:	10 A
Enclosure class (IEC 34-5):	IP65
<b>Controls:</b>	
Dry running protection:	YES
<b>Others:</b>	
Net weight:	0.89 kg
Gross weight:	1.65 kg
Shipping volume:	0.008 m <sup>3</sup>
Country of origin:	IT
Custom tariff no.:	8537109019



## 96848701 PM 1



Note! All units are in [mm] unless others are stated.  
Disclaimer: This simplified dimensional drawing does not show all details.