

# SCALA2

Approved for  
Drinking Water  
AS/NZS 4020

2  
YEAR  
WARRANTY

ALL-IN-ONE, SELF-PRIMING BOOSTER  
WITH INVERTER TECHNOLOGY

## WATER SOURCE



Above Pump Level  
Below Pump Level  
Mains Water

## APPLICATION



Household Water  
Irrigation  
Mains Boosting



SCAN THE QR CODE  
TO LINK TO GRUNDFOS  
PRODUCT CENTER

The Grundfos SCALA2 is an intelligent, self-priming pump with inverter technology that adjusts its performance according to household water demand, eliminating pressure fluctuations and resulting in lower running costs.

- **Perfect pressure to all taps** - Inverter technology (variable speed) adjusts motor speed according to demand to deliver perfect pressure to all taps
- **For water sources below pump level** - Designed with good suction lift capabilities, the SCALA2 is able to draw water up to 8 metres vertically below the level of the pump
- **Whisper quiet operation** - Super quiet operation that won't disturb your family or neighbours
- **All-in-one construction** - Tough, weather resistant outer casing houses the pump, motor and the controller
- **Easy installation – plug & pump** - Simply connect the pump inlet and outlet to the pipework, prime the pump, plug into a power outlet and you're ready to pump
- **One-touch pressure adjustment** - The intuitive and intelligent control panel allows for simple adjustment of the pressure to the taps



## PUMP NOISE

SCALA2	CM Booster Self-Priming	CME Booster	Jet Pump Range
47 dB Max.	55 dB Max.	55 dB Max.	70 dB

## PUMP SIZING

High pressure for double storey dwellings and long runs of pipe	SCALA2 3-4S	
Adequate pressure for most single storey dwellings	Small House 2-3 taps	Medium House 3-4 taps

Taps are 15 l/min at 22.5 m head

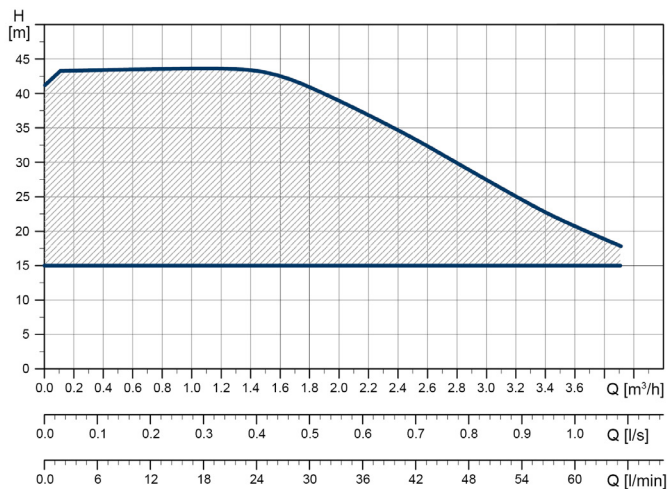
## PROTECTION & CONTROL\*

	SCALA2
Auto Start/Stop	✓
Non-Return Valve	✓
Dry Run Protection	✓
Anti-Cycling Protection	✓
Alarm Indication LED	✓
Temperature LED	✓

\*For full explanation of Protection and Controls see page 65-66

# TECHNICAL & PERFORMANCE DATA

## PERFORMANCE CURVE



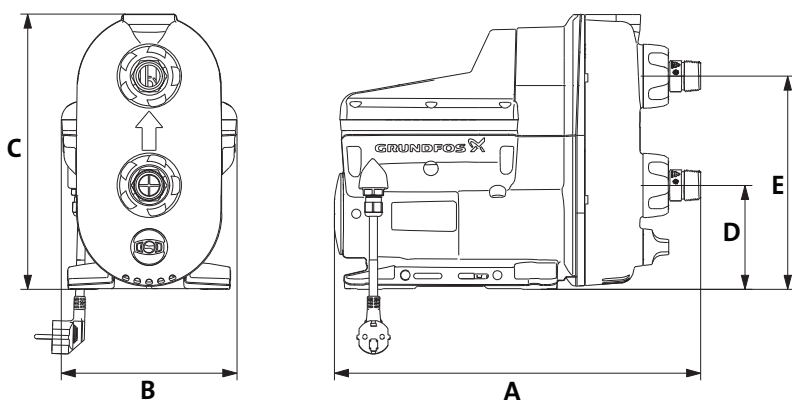
## OPERATING CONDITIONS

<b>Ambient Temperature</b>	0°C to +55°C
<b>Liquid Temperature</b>	0°C to +45°C
<b>System Pressure</b>	Max. 4 bar
<b>Sound Pressure</b>	Max. 47 dB

## TECHNICAL DATA

<b>Power Supply Voltage</b>	200-240 Volt, 50 Hz
<b>Power Supply Cable</b>	2 m with plug
<b>Enclosure Class</b>	Suitable for outdoor installation (IPX4D)
<b>Approvals and Markings</b>	Approved for Drinking Water AS/NZS 4020 C-Tick Compliance

## PHYSICAL ATTRIBUTES



Model	Motor Power P2 (kW)	Connections		Dimensions (mm)					Weight (kg)
		Inlet	Outlet	A (l)	B (w)	C (h)	D (inlet)	E (outlet)	
SCALA2	0.55	1" Male	1" Male	403	193	302	114	234	10