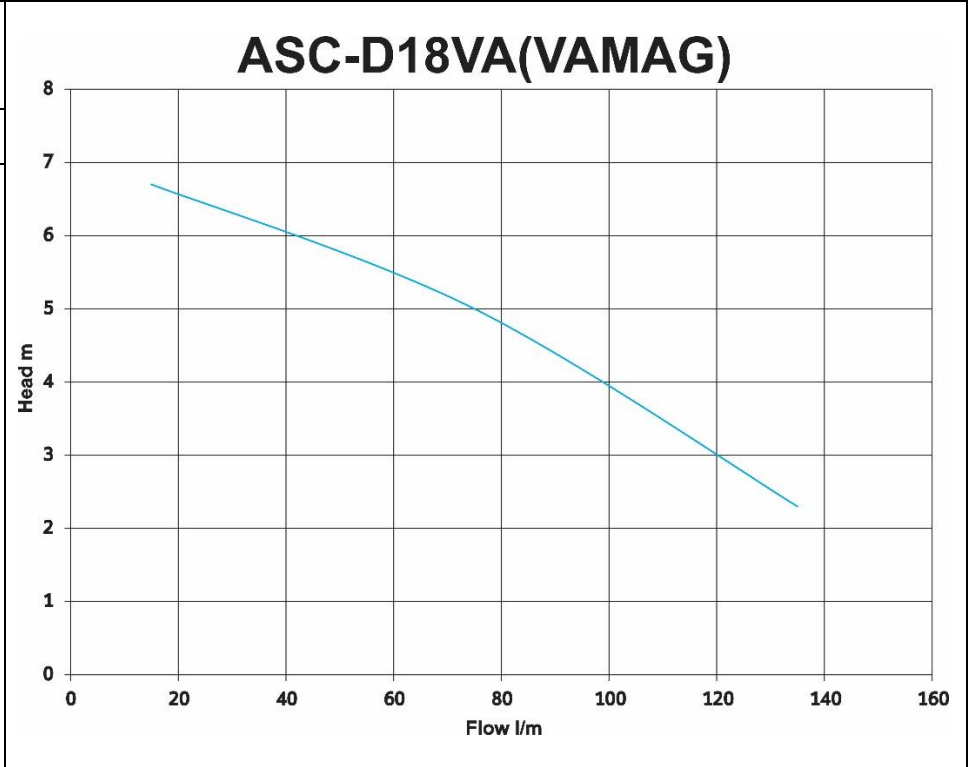


The pump is a submersible vortex drainage pump supplied with a 10-meter Australia power lead. The pump uses a float to cut in and out. The pump is designed to pump out of clean or grey water of neutral pH with some soft or fine solids. It is suitable for sump emptying, pumping of septic effluent and grey water systems.

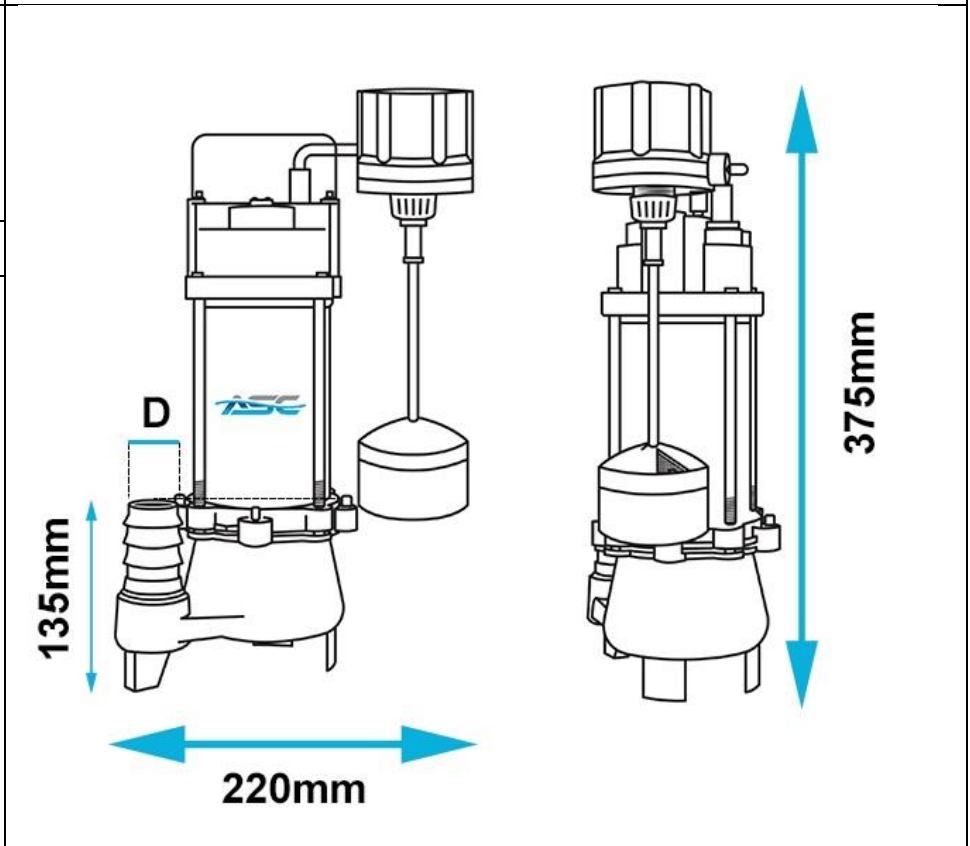
**Model Number:** ASC D18VAMAG  
**Item Number:** 809471

| Pump Data                   |                  |
|-----------------------------|------------------|
| Pressure Rating:            | 0.67 bar   67kPa |
| Min. fluid temp:            | 2° C             |
| Max. fluid temp:            | 35° C            |
| Max. operating temperature: | 40° C            |
| Max Solids:                 | 15mm             |



|                |                         |
|----------------|-------------------------|
| Max Flow Rate: | 135LT/min               |
| Max Head:      | 6.7m                    |
| Fluid:         | Water, dirty            |
| Density:       | 998.3 kg/m <sup>3</sup> |

| Materials        |                                     |
|------------------|-------------------------------------|
| Pump Body:       | Cast Iron                           |
| Support:         | Cast Iron                           |
| Motor Casing:    | Stainless Steel                     |
| Mechanical Seal: | Carbon / Ceramic                    |
| Impeller:        | Cast Iron / Nylon                   |
| Shaft:           | Stainless Steel                     |
| Shaft Seal:      | Dual mechanical seal carbon ceramic |
| Power Cable:     | 10m H07RNF                          |



**Electrical Data**

|                |                 |
|----------------|-----------------|
| Phase:         | Single Phase 1ø |
| Rated Voltage: | 220-230V ~      |

**Dimensions (mm)**

|                         |       |            |             |
|-------------------------|-------|------------|-------------|
| A (length)              | 220mm | D          | 40mm (BSPF) |
| B (width)               | 220mm | Pump Start | 300mm       |
| H (height)              | 375mm | Pump Stop  | 120mm       |
| H <sub>1</sub> (outlet) | 135mm |            |             |

|                     |                              |   |         |
|---------------------|------------------------------|---|---------|
| Mains Frequency:    | 50Hz                         | <b>Boxed Weight:</b><br><b>Pump Weight:</b> | 10.30kg |
| P2 (W):             | 180W                         |   | 9.36kg  |
| Current:            | 1.5A                         |   |         |
| Capacitor:          | 8μF                          |   |         |
| VL:                 | 450V                         |   |         |
| Motor Duty:         | Continuous                   |   |         |
| Motor Type:         | Asynchronous                 |   |         |
| Motor Protection:   | In-built thermal<br>overload |   |         |
| Ingress Protection: | IP68                         |   |         |
| Insulation Class:   | B                            |   |         |

ASC Water Tanks reserves the right to make modifications without notice.