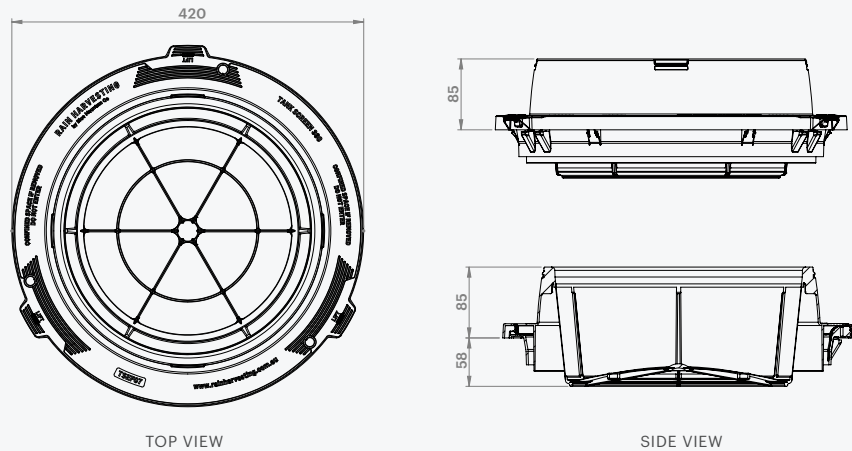


## PRODUCT DIMENSIONS

High Wall Tank Screen 360 with Screw Down Ring  
400mm



ALL DIMENSIONS IN MM UNLESS OTHERWISE STATED.

**DISCLAIMER** This product specification is not a complete guide to product usage. Further information is available from Rain Harvesting Pty Ltd and from the Installation and Operating Instructions. This specification sheet must be read in conjunction with the Installation and Operating Instructions and all applicable statutory requirement. Product specifications may change without notice. © Rain Harvesting Pty Ltd.

**RAIN HARVESTING**  
by Blue Mountain Co

+61 (0)7 3248 9600

[rainharvesting.com.au](http://rainharvesting.com.au)

**RAIN HARVESTING**  
by Blue Mountain Co

# High Wall Tank Screen 360 with Screw Down Ring



## Installation and Specification Guide

### PRODUCT DETAILS

High-walled, hooded tank screen with high flow rates. Low maintenance with non-tank intrusive, deep-dish construction.

TSEF16 400mm

### FEATURES AND BENEFITS

- The huge strainer captures a massive amount of leaves and elevates them from the water level so they aren't soaking in your tank water
- Mesh sidewalls increase water throughout, even as debris loads increase
- The cover reduces splashing and keeps sunlight out of your tank (reducing algae growth)
- Maintenance is a breeze with the Easy Fit clip-on ring.
- 0.955mm mesh opening keeps out leaves and pests.

# Installation

## WHAT'S IN THE BOX?

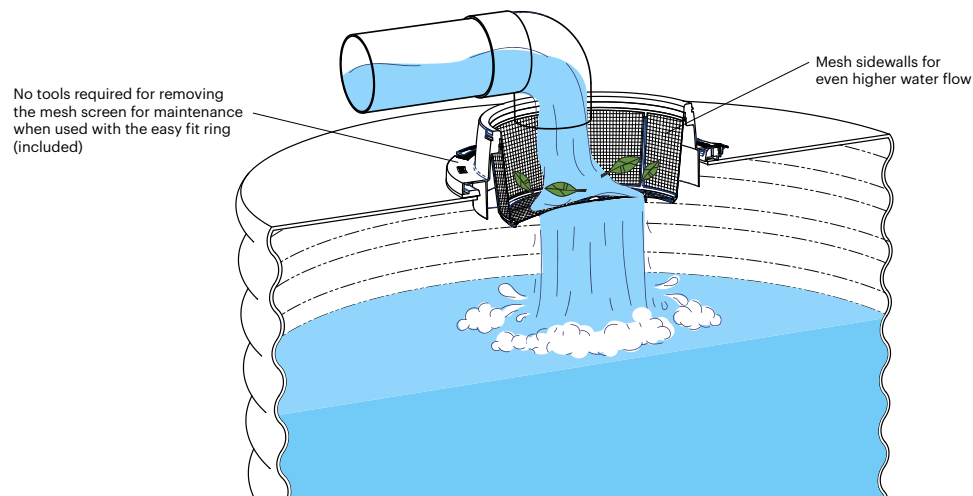
- High Wall Tank Screen 360
- Easy Fit Screw Down Inlet Ring

## TOOLS/MATERIALS YOU MAY REQUIRE

- Drill
- Screws

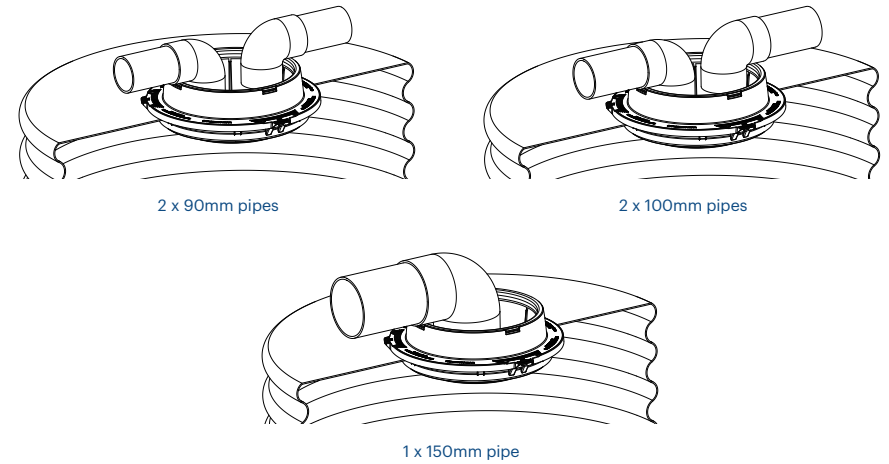
## HOW IT WORKS

The Tank Screen 360 is a high flow inlet solution for rainwater tanks. Its unique design keeps out sunlight, pests, and debris and offers simple maintenance.



## INSTALLATION

FIGURE 1



1. Secure your Inlet Ring by installing screws at 3 points around the perimeter. Make sure to use a screw that is appropriate for your tank material.
2. To secure your High Wall Tank Screen 360, place it over the ring so that the 3 clips on the Tank Screen 360 align with the clips on the Inlet Ring. Push down firmly on each of the 3 clips until you hear them click into place. Ensure all 3 clips are secured.
3. Install your inlet pipes as close to the bottom screen as possible, whilst still allowing space for debris clearance and removal of the Tank Screen 360 for maintenance (Figure 1).
4. To remove your Tank Screen 360, lift each of the release tabs until they disengage, and the screen can be lifted off.

## MAINTENANCE

You should regularly inspect your High Wall Tank Screen 360 and remove any leaves or debris. For a more thorough clean, simply unclip your High Wall Tank Screen 360 and hose it off before reattaching to your tank.