



**Company name:** ASC Water Tanks  
**Created by:** Anant Yuvarajah  
**Phone:** 0414880162  
**Email:** anant@asc tanks.com.au  
**Date:** 15/06/2022

**Qty. Description**

1 UNILIFT KP.350.A.1



**Note! Product picture may differ from actual product**

Product No.: [013N4700](#)

Submersible drainage pump

Vertical single-stage stainless steel submersible pump with vertical discharge port and integrated submersible 1-phase canned motor in insulation class F with thermal overload protection.

The pump is fitted with suction strainer and a carrying handle and is supplied with a 5 m mains cable and float switch for automatic start and stop.

The impeller is a semi-open impeller for 10 mm free passage suitable for pumping groundwater, surface water, rain water and similar liquids.

The pump has a double shaft seal consisting of two lip seals with grease in-between.

The pump has an outer casing ensuring continuous cooling of the motor by the pumped liquid. The rotor shaft operates in two maintenance-free carbon bearings cooled by the pumped liquid.

The motor is filled with a non-toxic motor liquid.

Liquid:  
Liquid temperature range: 0 .. 40 °C  
Density: 998.2 kg/m<sup>3</sup>

Technical:  
Maximum flow: 233 l/min  
Max. Particle: 10 mm  
Approvals: CE,RCM,VDE,LGABG,EAC,TUVRHWID

Materials:  
Pump housing: Stainless steel  
EN 1.4301  
AISI 304  
Impeller: Stainless steel  
EN 1.4301  
AISI 304

Installation:



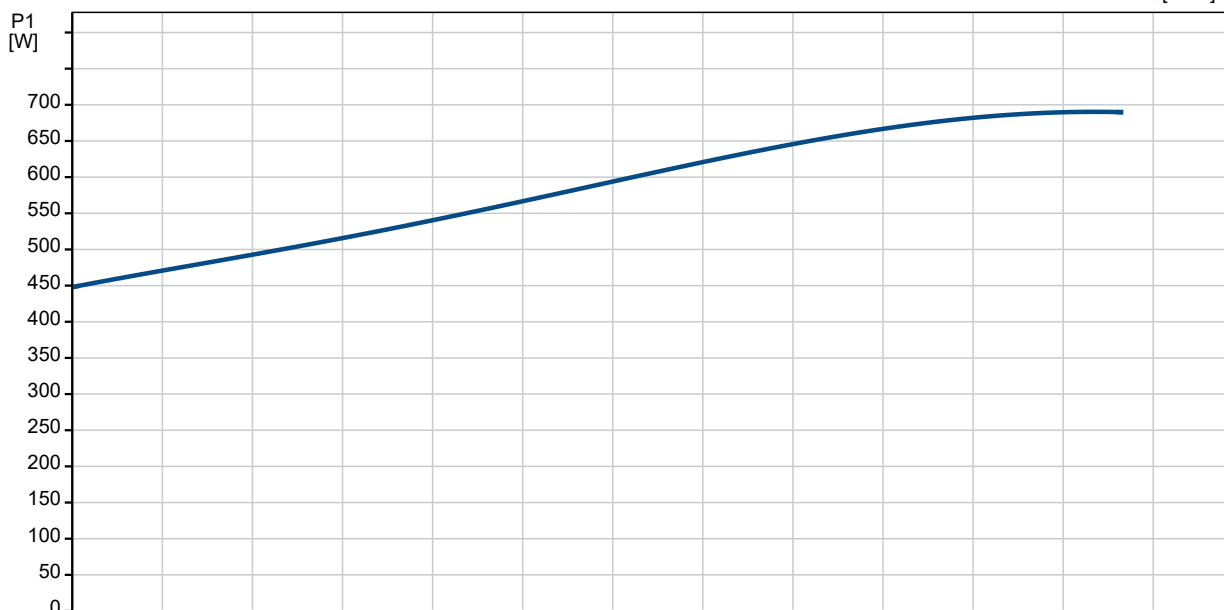
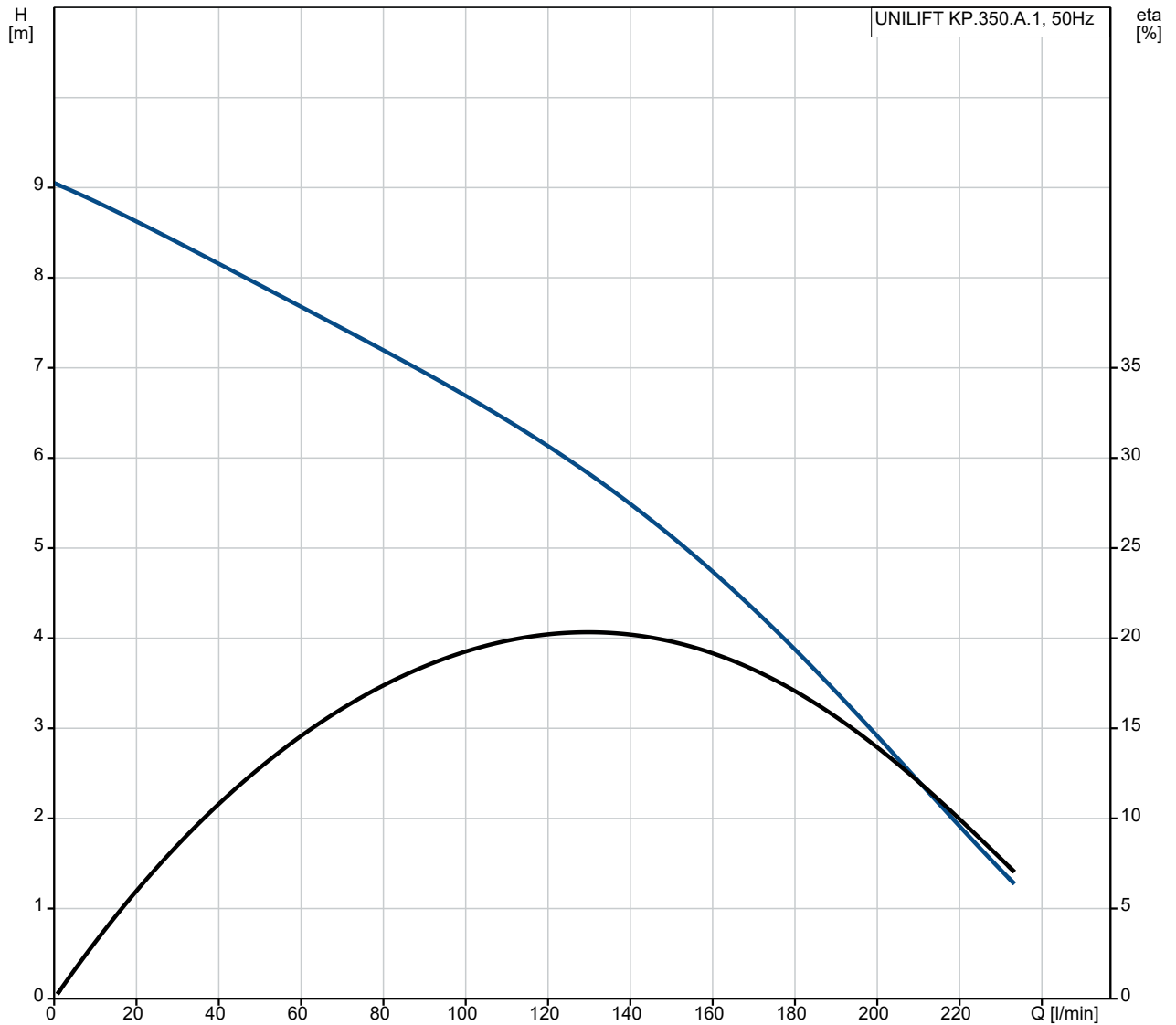
**Company name:** ASC Water Tanks  
**Created by:** Anant Yuvarajah  
**Phone:** 0414880162  
**Email:** anant@asc tanks.com.au  
**Date:** 15/06/2022

Qty.	Description
	Range of ambient temperature: 0 .. 50 °C
	Type of connection: Rp
	Size of connection: 1 1/4 inch
	Maximum installation depth: 2 m
	Electrical data:
	Power input - P1: 720 W
	Mains frequency: 50 Hz
	Rated voltage [V]: 1 x 220-240 V
	Rated current: 3.2 A
	Capacitor size - run: 10 µF/400 V
	Enclosure class (IEC 34-5): IP68
	Insulation class (IEC 85): F
	Length of power cable: 5 m
	Type of cable plug: AU
	Others:
	Environmental approvals: WEEE
	Net weight: 7.29 kg
	Gross weight: 7.72 kg
	Shipping volume: 0.013 m <sup>3</sup>
	Country of origin: DK
	Custom tariff no.: 8413709019182742



Company name: ASC Water Tanks  
Created by: Anant Yuvarajah  
Phone: 0414880162  
Email: anant@asc tanks.com.au  
Date: 15/06/2022

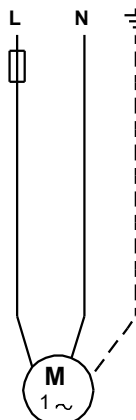
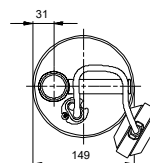
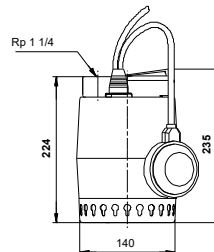
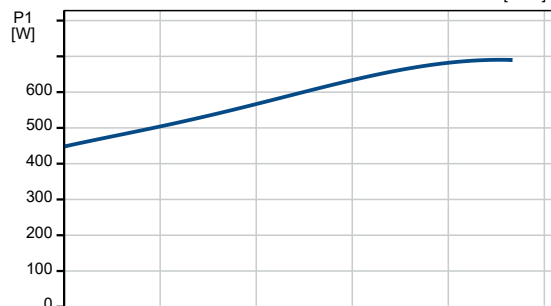
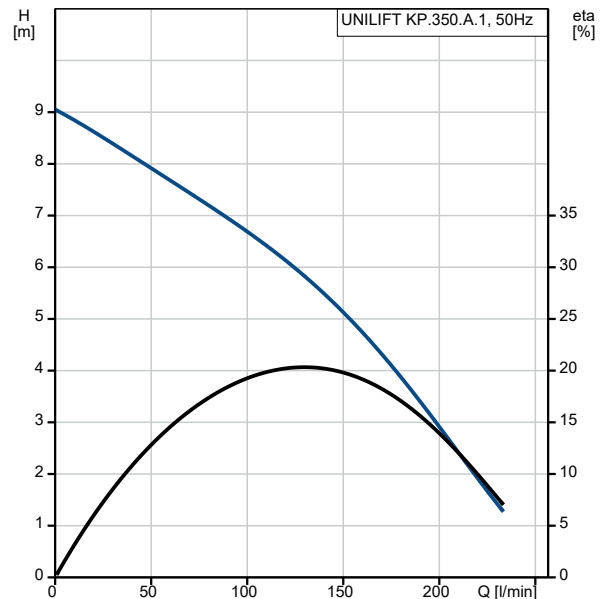
### 013N4700 UNILIFT KP.350.A.1 50 Hz





**Company name:** ASC Water Tanks  
**Created by:** Anant Yuvarajah  
**Phone:** 0414880162  
**Email:** anant@asctanks.com.au  
**Date:** 15/06/2022

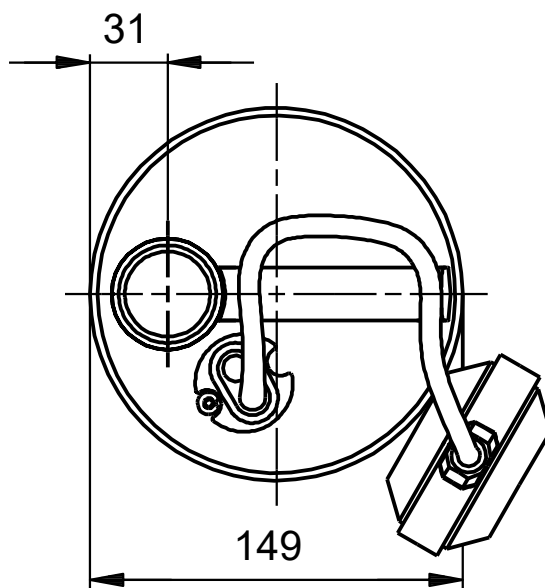
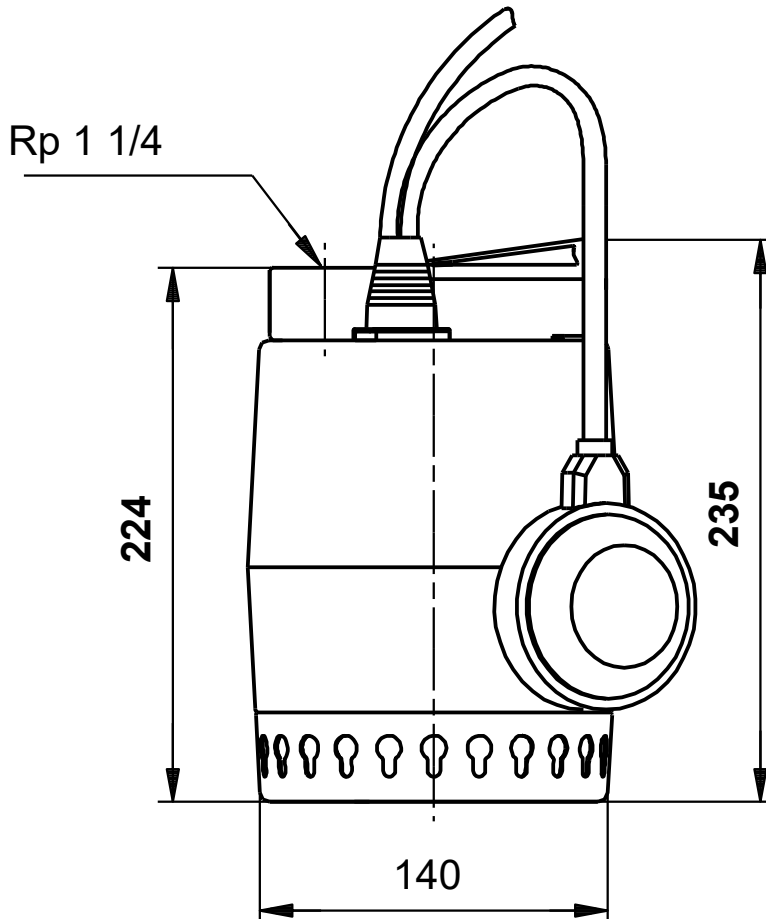
Description	Value
<b>General information:</b>	
Product name:	UNILIFT KP.350.A.1
Product No:	013N4700
EAN number:	5700393449404
Price:	
<b>Technical:</b>	
Maximum flow:	233 l/min
Maximum head:	9 m
Max. Particle:	10 mm
Approvals:	CE,RCM,VDE,LGABG,EAC,TUV RHWID
Model:	A
<b>Materials:</b>	
Pump housing:	Stainless steel
Pump housing:	EN 1.4301
Pump housing:	AISI 304
Impeller:	Stainless steel
Impeller:	EN 1.4301
Impeller:	AISI 304
<b>Installation:</b>	
Range of ambient temperature:	0 .. 50 °C
Type of connection:	Rp
Size of connection:	1 1/4 inch
Maximum installation depth:	2 m
<b>Liquid:</b>	
Liquid temperature range:	0 .. 40 °C
Density:	998.2 kg/m <sup>3</sup>
<b>Electrical data:</b>	
Power input - P1:	720 W
Mains frequency:	50 Hz
Rated voltage [V]:	1 x 220-240 V
Rated current:	3.2 A
Capacitor size - run:	10 µF/400 V
Enclosure class (IEC 34-5):	IP68
Insulation class (IEC 85):	F
Built-in motor protection:	CONTACT
Thermal protec:	internal
Length of power cable:	5 m
Type of cable plug:	AU
<b>Controls:</b>	
Level switch:	float switch
<b>Others:</b>	
Environmental approvals:	WEEE
Net weight:	7.29 kg
Gross weight:	7.72 kg
Shipping volume:	0.013 m <sup>3</sup>
Country of origin:	DK
Custom tariff no.:	8413709019182742





Company name: ASC Water Tanks  
Created by: Anant Yuvarajah  
Phone: 0414880162  
Email: anant@asc tanks.com.au  
Date: 15/06/2022

### 013N4700 UNILIFT KP.350.A.1 50 Hz



Note! All units are in [mm] unless others are stated.  
Disclaimer: This simplified dimensional drawing does not show all details.