

Qty. Description

1 JP 3-42 PT-V A-A-BBVP



Note! Product picture may differ from actual product

Product No.: [99463894](#)

Grundfos JP 3-42 PT-V consist of a Grundfos JP pump, a pressure switch, a pressure gauge and a Grundfos GT-H 18-litre vertical diaphragm pressure tank. The pressure tank reduces water hammer in the pipework.

The JP 3-42 PT-V provides the comfort of constant water pressure with automatic start and stop.

This is controlled by the pressure switch and pressure tank combined ensuring optimal start/stop of the booster set according to demand.

The pressure tank limits the number of start/stop routines, as water stored in the tank can be used without starting the pump in cases of low water consumption or leakage loss.

The cut-in pressure is set to 2.2 bar.

The design is robust and built upon corrosion-free materials to ensure a long lifetime.

This booster set ensures optimum self-priming properties, featuring a suction-lift up to 8 meters.

The self-priming pump also ensures a stable operation as is it able to lift liquid from below the inlet level and can handle a mix of air and liquid until the pump reaches a fully-primed pumping condition.

The JP 3-42 PT-V booster set has built-in thermal protection, which immediately stops the pump if it overheats. The motor is air cooled and equipped with oversized, sealed, greased-for-life ball bearings to ensure silent operation and minimum service.

Liquid:

Pumped liquid: Water
 Liquid temperature range: 0 .. 40 °C
 Selected liquid temperature: 20 °C
 Density: 998.2 kg/m³

Technical:

Rated flow: 3 m³/h
 Rated head: 36.5 m
 Primary shaft seal: BBVP
 Approvals: CE,WM,C-TICK
 Curve tolerance: ISO9906:2012 3B
 Adjustable start pressure: Y
 Start pressure: 1.0 - 5.0 bar
 Rated speed: 2800 rpm

Materials:

Pump housing: Stainless steel
 EN 1.4301
 AISI 304
 Impeller: Composite

Installation:



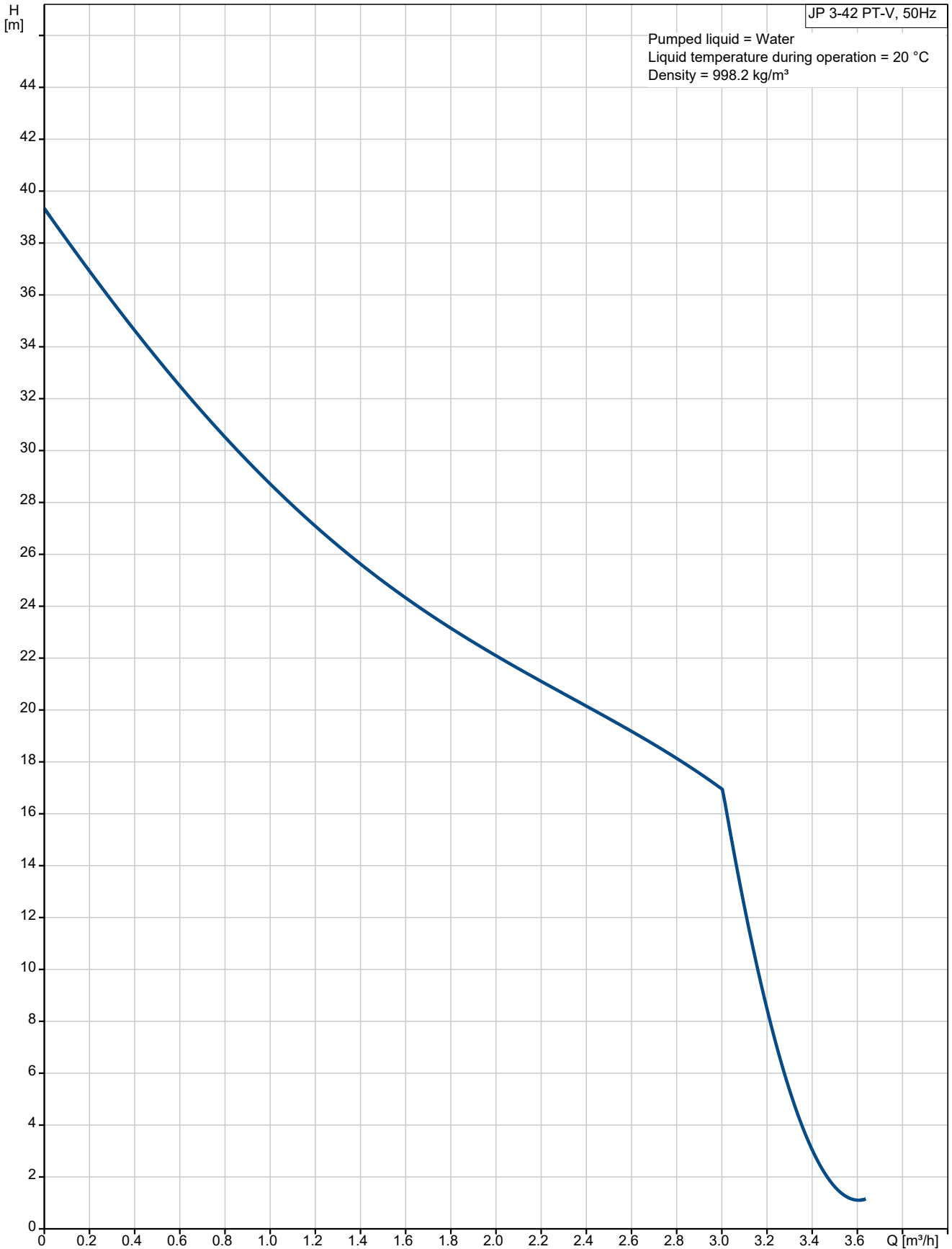
Company name: ASC Water Tanks
Created by: Anant Yuvarajah
Phone: 0414880162
Email: anant@asc tanks.com.au
Date: 15/06/2022

Qty.	Description
	Minimum ambient temperature: 0 °C Max. ambient: 40 °C Maximum operating pressure: PN 6 bar Pump inlet: G 1 Pump outlet: G 1
	Electrical data: Power input - P1: 720 W Rated power - P2: 0.447 kW Mains frequency: 50 Hz Rated voltage: 1 x 230 V Rated current: 3.1 A Starting current: 9.2 A Rated speed: 2800 rpm Capacitor size - run: 12 µF/450 V Enclosure class (IEC 34-5): IP44 Insulation class (IEC 85): F Length of cable: 1.5 m Type of cable plug: AUS
	Tank: Volume of pressure tank: 18 l
	Others: Net weight: 15 kg Gross weight: 17 kg Country of origin: CN Custom tariff no.: 8413709062

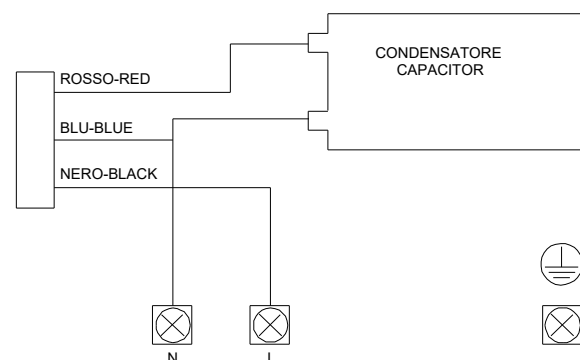
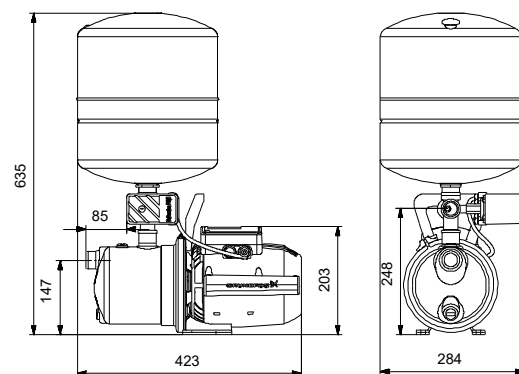
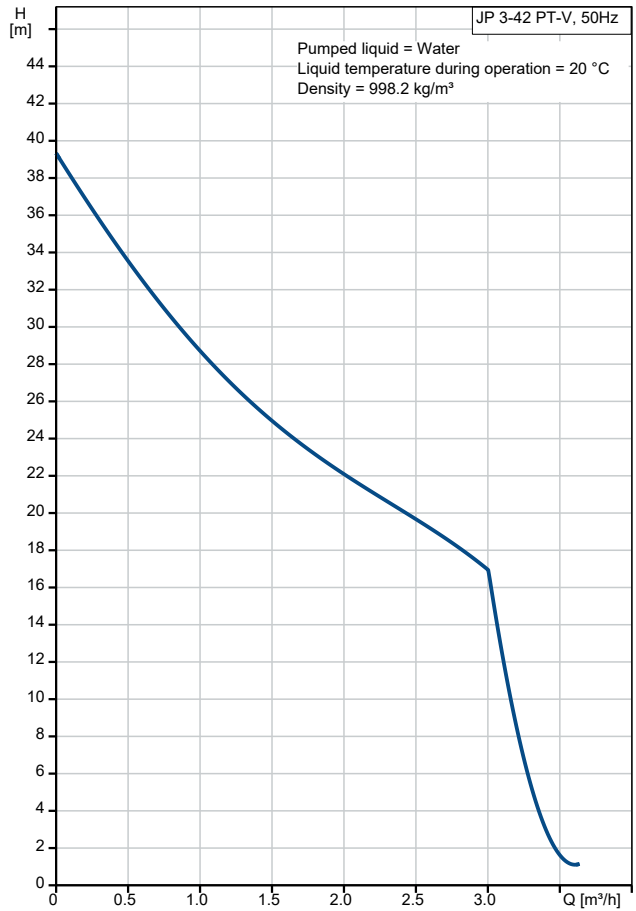


Company name: ASC Water Tanks
Created by: Anant Yuvarajah
Phone: 0414880162
Email: anant@asc tanks.com.au
Date: 15/06/2022

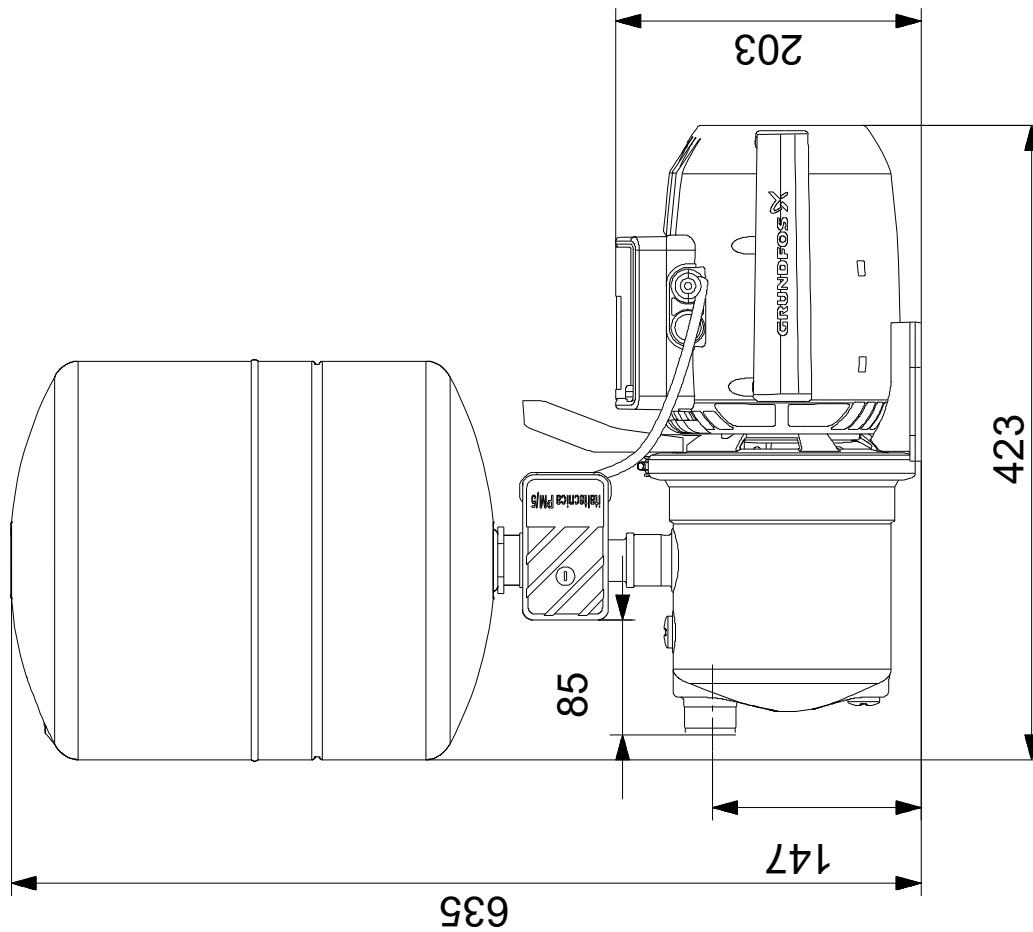
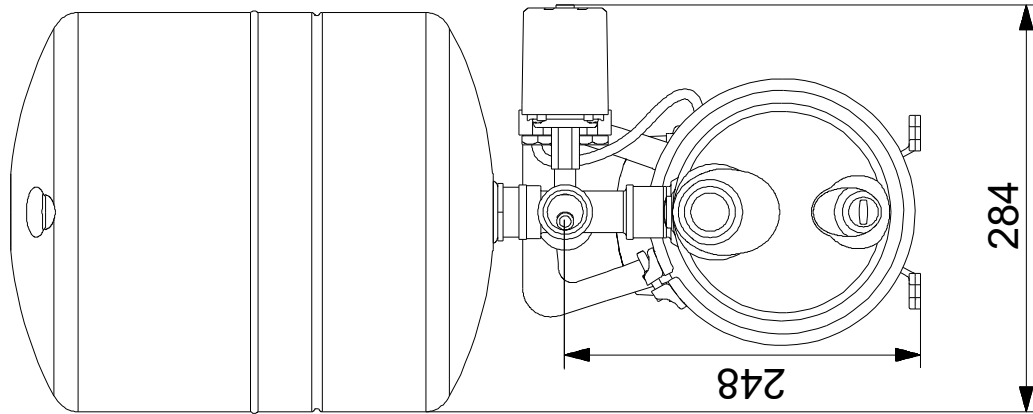
99463894 JP 3-42 PT-V A-A-BBVP 50 Hz



Description	Value
General information:	
Product name:	JP 3-42 PT-V A-A-BBVP
Product No:	99463894
EAN number:	5713829542648
Price:	
Technical:	
Rated flow:	3 m ³ /h
Rated head:	36.5 m
Primary shaft seal:	BBVP
Approvals:	CE,WM,C-TICK
Curve tolerance:	ISO9906:2012 3B
Pump version:	A
Adjustable start pressure:	Y
Start pressure:	1.0 - 5.0 bar
Rated speed:	2800 rpm
Materials:	
Pump housing:	Stainless steel
Pump housing:	EN 1.4301
Pump housing:	AISI 304
Impeller:	Composite
Material code:	A
Installation:	
Minimum ambient temperature:	0 °C
Max. ambient:	40 °C
Maximum operating pressure:	PN 6 bar
Pump inlet:	G 1
Pump outlet:	G 1
Liquid:	
Pumped liquid:	Water
Liquid temperature range:	0 .. 40 °C
Selected liquid temperature:	20 °C
Density:	998.2 kg/m ³
Electrical data:	
Power input - P1:	720 W
Rated power - P2:	0.447 kW
Mains frequency:	50 Hz
Rated voltage:	1 x 230 V
Rated current:	3.1 A
Starting current:	9.2 A
Rated speed:	2800 rpm
Capacitor size - run:	12 µF/450 V
Enclosure class (IEC 34-5):	IP44
Insulation class (IEC 85):	F
Length of cable:	1.5 m
Type of cable plug:	AUS
Tank:	
Volume of pressure tank:	18 l
Others:	
Net weight:	15 kg
Gross weight:	17 kg
Country of origin:	CN
Custom tariff no.:	8413709062



99463894 JP 3-42 PT-V A-A-BBVP 50 Hz



Note! All units are in [mm] unless others are stated.
Disclaimer: This simplified dimensional drawing does not show all details.