



**IP 54**  
Control Panel



**Digital**  
Monitor display



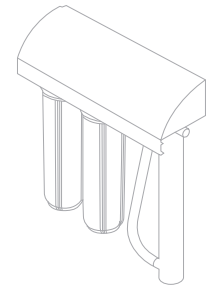
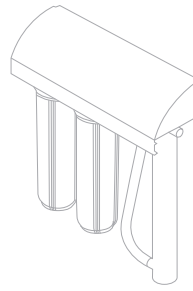
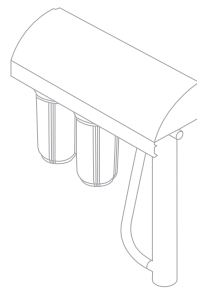
**Days meter**  
for lamp life control



**Acoustic alarm**  
for lamp  
replacement

# **BIG F PRO**

Atlas **BIG F PRO** is an easy to install two stage filtration system with UV treatment, for the removal of sediment and for water purification by means of UV-C radiation. **UV-C treatment** is a physical disinfection treatment for the inactivation of microorganisms in water.



|                         |                                             |                                             |                                             |
|-------------------------|---------------------------------------------|---------------------------------------------|---------------------------------------------|
| Filtration-stage 1      | 20 µm                                       | 20 µm                                       | 20 µm                                       |
| Filtration-stage 2      | 1 µm                                        | 1 µm                                        | 1 µm                                        |
| Cartridges              | TS 10" BIG 20 µm<br>CPP 10" BIG 1 µm        | TS 20" BIG 20 µm<br>CPP 20" BIG 1 µm        | TS 20" BIG 20 µm<br>CPP 20" BIG 1 µm        |
| Inlet/outlet size       | 1"                                          | 1"                                          | 1"                                          |
| Shipping weight         | 20 Kg                                       | 22 Kg                                       | 22 Kg                                       |
| Max working temperature | 45 °C                                       | 45 °C                                       | 45 °C                                       |
| Max working pressure    | 8,3 bar                                     | 8,3 bar                                     | 8,3 bar                                     |
| Flowrate                | 54 lpm (40mJ/cm <sup>2</sup> )              | 70 lpm (30mJ/cm <sup>2</sup> )              | 95 lpm (30mJ/cm <sup>2</sup> )              |
| Total consumption       | 61 W                                        | 61 W                                        | 73 W                                        |
| Metal frame             | Varnished galvanized steel<br>with key lock | Varnished galvanized steel<br>with key lock | Varnished galvanized steel<br>with key lock |

### UV LAMP GENERAL INFORMATION

|                   |            |            |            |
|-------------------|------------|------------|------------|
| UVC transmittance | 95% - 1 cm | 95% - 1 cm | 95% - 1 cm |
|-------------------|------------|------------|------------|

### UV REACTOR

|                      |                     |                     |                     |
|----------------------|---------------------|---------------------|---------------------|
| Material             | Stainless Steel 304 | Stainless Steel 304 | Stainless Steel 304 |
| Connections          | Thread 1" M         | Thread 1" M         | Thread 1" M         |
| Max working pressure | 8,3 bar             | 8,3 bar             | 8,3 bar             |
| Protection class     | IP 54               | IP 54               | IP 54               |

### UV LAMP

|            |                 |                 |                 |
|------------|-----------------|-----------------|-----------------|
| Lifespan   | 9000 hrs        | 9000 hrs        | 9000 hrs        |
| Lamp power | 56 W            | 56 W            | 67 W            |
| Type       | HO low pressure | HO low pressure | HO low pressure |

### CONTROL PANEL

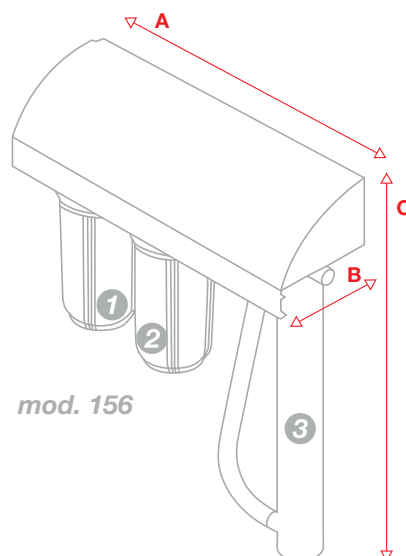
|                       |                       |             |                      |                  |         |              |                       |
|-----------------------|-----------------------|-------------|----------------------|------------------|---------|--------------|-----------------------|
| Material              | Thermoplastic         | Dimension   | 218x113x60 mm        | Protection class | IP 64   | Power supply | 110-240 V - 50/60 Hz  |
| Power cable           | 2 mt                  | Feed plug   | AUS Type I           | Monitor display  | Digital | Days meter   | For total system life |
| Resettable days meter | For lamp life control | Audio alarm | With silence options |                  |         |              |                       |

## DP BIG DUO filter housing

**mod. 156**

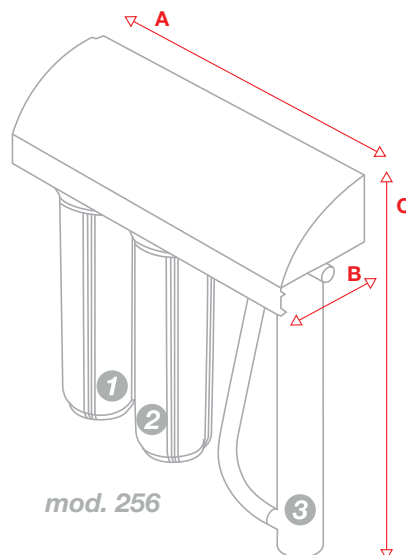
**stage1**

**stage2**

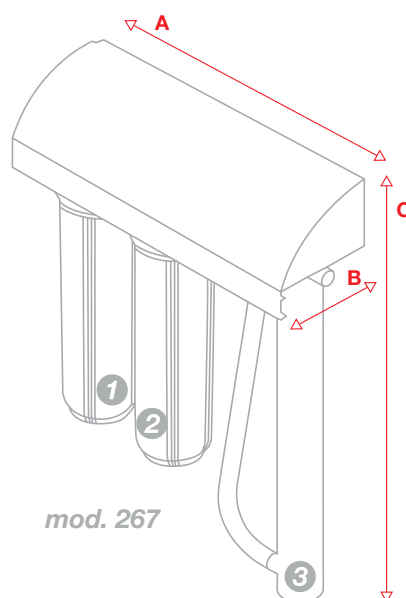


A = 722 mm  
B = 205 mm  
C = 790 mm

**mod. 256 / 267**



A = 722 mm  
B = 205 mm  
C = 806 mm



A = 722 mm  
B = 205 mm  
C = 870 mm

## UV lamp stage3

**mod. 156/256**

56 W

**mod. 267**

67 W

We value  
what really  
matters.  
**Water**



IT'S MADE IN ITALY



ATLAS FILTRI S.r.l. | via Pierobon, 32 | 35010 Limena, Italy  
Tel. +39.049.76.90.55 | Fax +39.049.76.99.94 | [www.atlasfiltri.com](http://www.atlasfiltri.com)