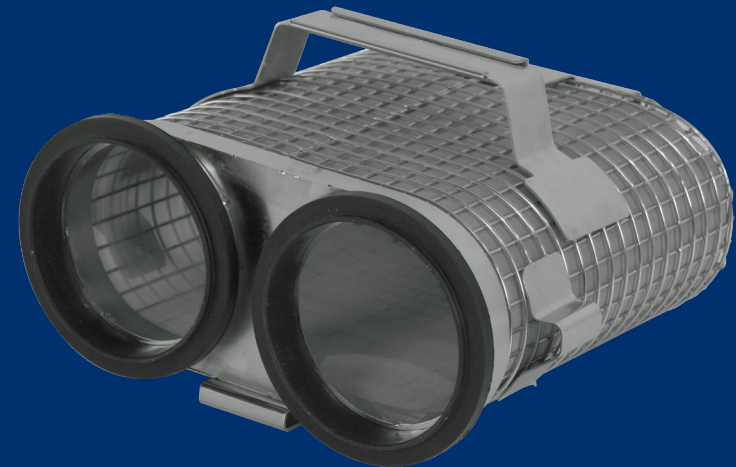


RAIN HARVESTING
by Blue Mountain Co

RAIN HARVESTING
by Blue Mountain Co

Shark Cage Filter

Upgrade for Maelstrom™



Installation and Specification Guide

PRODUCT DETAILS

Upgrade your Maelstrom with this easy-to-clean, Stainless Steel filter that provides high flow rates for increased rainwater capture.

RHML03 100mm/4"

FEATURES AND BENEFITS

- Improved water catchment, even with heavy debris loads.
- Our easiest-to-clean filter due to its single skin, stainless steel mesh.
- Superfine, 180 micron filtration for the best water quality in your tank.

Installation

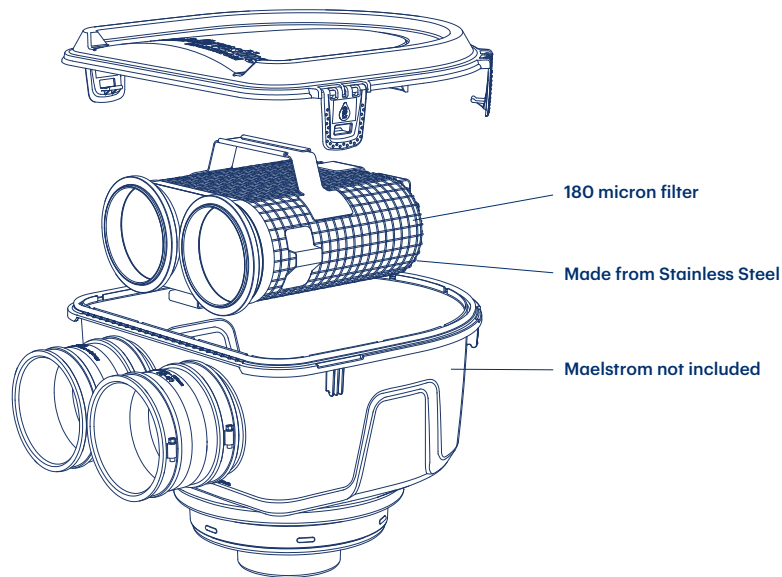
WHAT'S IN THE BOX?

- Shark cage filter

TOOLS/MATERIALS YOU MAY REQUIRE

- Adjustable spanner
- Screwdriver

HOW IT WORKS



SHARK CAGE FILTER UPGRADE FOR MAELSTROM™

1. Remove the lid on your Maelstrom unit by undoing the 4 clips around the outside.
2. Remove your existing Maelstrom blue filter by pulling upwards on the black handle.
3. If there is any debris inside your Maelstrom housing, now is a good opportunity to clean it.
4. Fit your new Maelstrom Shark Cage filter by inserting it into your housing. The ideal way to do this is by angle the 2 circular rubber inlets into position first, then pressing down the back of the Shark Cage until it is resting on the ribs of the housing.
5. Note the fitment of your Maelstrom Shark Cage. There is an adjustable bracket at the rear of the filter that allows you to tune the fitment. The filter should fit snugly in position. If required, use an adjustable spanner or screwdriver to adjust the length of the bracket.
6. Replace the lid on your Maelstrom, making sure that all 4 clips are secured.

MAINTENANCE

For best performance, check and maintain your Maelstrom on a regular basis. The required frequency of maintenance will depend on the environment in which your Maelstrom is installed. High debris areas will require more regular maintenance than low debris areas.

To determine how frequently maintenance will be required in your location, we recommend inspecting the Shark Cage filter after the first rainfall event and planning your maintenance schedule based on this initial inspection.

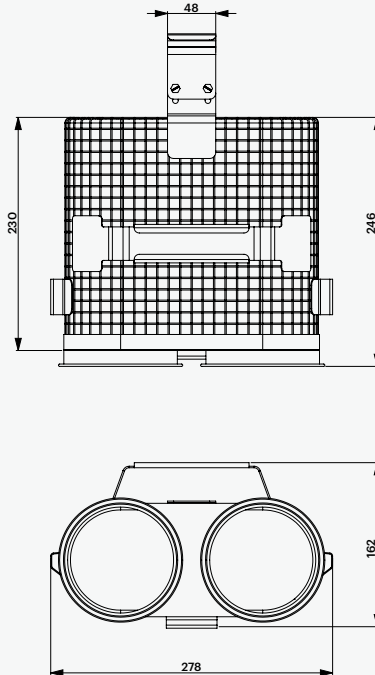
To clean your Maelstrom, unlatch and remove the lid.

Grasp the handle on top of the filter and lift it upward to remove. Scoop out any large pieces of debris by hand, then use a hose to wash out the Shark Cage filter. If required, you can use a brush to remove any debris. Lift the mosquito proof screen out and brush or hose off any debris on either side of the screen.

Replace the mosquito proof screen, ensuring it sits securely in place. Reinstall the Shark Cage filter to its position within the filter housing, then replace the lid and secure it with the latches.

PRODUCT DIMENSIONS

Shark Cage Filter Upgrade for Maelstrom™ RHML03 100mm/4"



ALL DIMENSIONS IN MM UNLESS OTHERWISE STATED.

DISCLAIMER This product specification is not a complete guide to product usage. Further information is available from Rain Harvesting Pty Ltd and from the Installation and Operating Instructions. This specification sheet must be read in conjunction with the Installation and Operating Instructions and all applicable statutory requirement. Product specifications may change without notice. © Rain Harvesting Pty Ltd

COMPLIANCE

- AS/NZS 3500.3:2003 Plumbing and Drainage – Stormwater Drainage
 - enHealth Council
 - Guidance on the Use of Rainwater Tanks
 - Preventing Mosquitoes Breeding
 - AS/NZS 3500.3:2003 Plumbing and Drainage - Stormwater Drainage
 - HB230:2008 Rainwater Tank Design and Installation Handbook
 - Queensland Health Regulations 1996 (Part 8 – Mosquito Prevention)
-