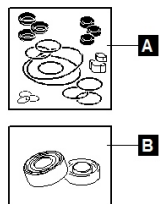
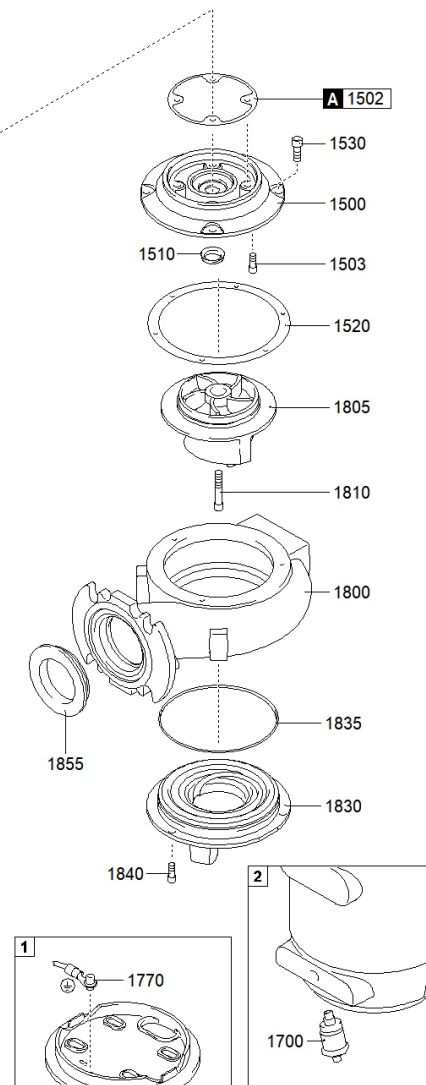
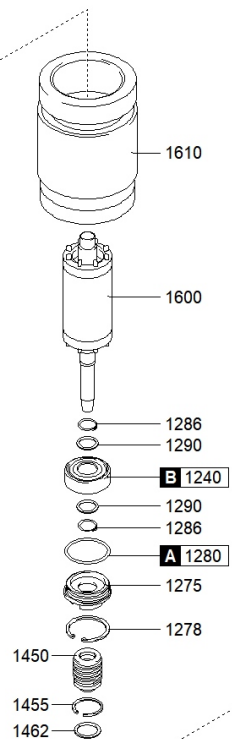
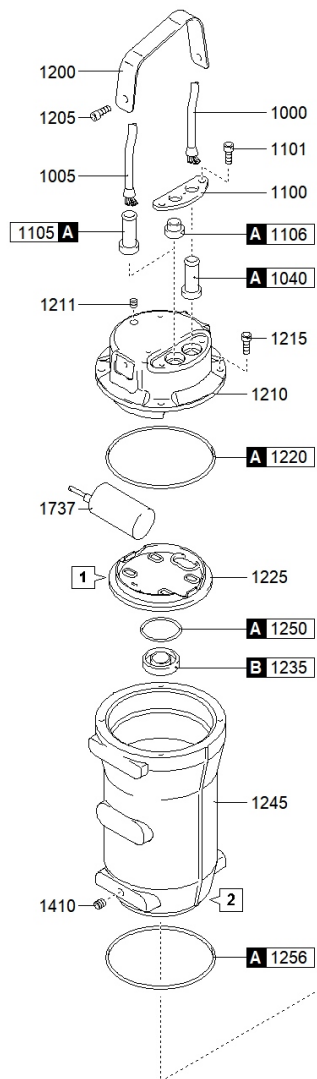
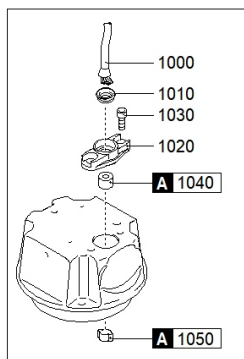




better together

1759.200 - DRG 250/2/80 LOAT5 NGTSB51040N00EX



G05
DR 80 01A



better together



1759.200 - DRG 250/2/80 LOAT5 NGTSB51040N00EX

		Code	Description		Q.ty	Price (€)	
A		601051001	GASKETS KIT	806124	1		
B		604051001	BEARINGS KIT	806130	1		
1000		25020340151000001	CAVO POTENZA	802306	1		
1010		235467216820	RING NUT [POWER CABLE]	711016 OR 802074	1		
1020		235423622710	CABLE GLAND [POWER CABLE]	802276	1		
1030		270830610143200000	SCREW - CABLE GLAND [POWER CABLE]	806113	4		
1030		270830810203200000	SCREW - CABLE GLAND [POWER CABLE]	802093 OR 802095	2		
1040		235672721990	RUBBER GASKET [POWER CABLE]		1		
1050		2732001400000	COLLAR CLAMP [POWER CABLE]	802081	1		
1101		270830610143200000	SCREW [CABLE GLAND PLATE >> COVER]	806113	4		
1200		235230227899	HANDLE		1		
1205		270830610143200000	SCREW [HANDLE >> COVER]	806113	4		
1210		2321104EX27262	COVER		1		
1211		270139510104000003	CAP [TIGHTNESS TEST]		1		
1215		270830610143200000	SCREW [COVER >> MOTOR CASE]	806113	4		
1220		271770107035000000	GASKET [COVER >> UPPER BEARING HOLDER]		1		
1225		230657127859	UPPER BEARING HOLDER		1		
1235		2729062030200000	UPPER BEARING	711360 OR 802083	1		
1240		2729063050400000	LOWER BEARING	710969	1		
1245		231017128568	MOTOR CASE		1		
1250		271770040952620000	GASKET [UPPER BEARING]		1		
1256		271770117018000000	GASKET [MOTOR CASE >> PUMP PLATE]		1		
1275		23915068024027857	LOWER BEARING FLANGE		1		
1278		270320700200000	SEEGER [LOWER BEARING FLANGE]		1		
1280		271770057026000000	GASKET [LOWER BEARING FLANGE]		1		
1286		270330250100000	SEEGER [LOWER BEARING >> LOWER BEARING FLANGE]	802101	1		
1290		270220250352000000	DISTANCE RING [LOWER BEARING]	802311	1		
1410		270139510104000003	CAP [OIL CHAMBER]		1		
1450		230005040180000000	MECHANICAL SEAL	802308	1		
1455		270320450200000	SEEGER [1st MECHANICAL SEAL >> 2nd MECHANICAL SEAL]		1		
1462		270532021059027898	RING [MECHANICAL SEAL]		1		
1500		236211601827335	PUMP PLATE		1		
1502		2750910827133	GASKET [PUMP PLATE]		1		
1503		270830610143200000	SCREW [PUMP PLATE >> MOTOR CASE]	806113	4		
1510		237970160220600000	V-RING [PUMP PLATE]		1		
1520		2750916023613	GASKET [PUMP PLATE >> PUMP BODY]	710955 OR 802282	1		
1530		270830810163200000	SCREW [PUMP PLATE >> PUMP BODY]	802318	3		
1600		2302349122EX27340	SHAFT WITH ROTOR		1		

1610	231103120001000000	WOUND STATOR		1
1770	2500000001800072	GROUND CABLE CONNECTOR		1
1800	21251016030528636	PUMP BODY		1
1805	214110C114NN28291	IMPELLER		1
1810	270830610353200000	LOCKING IMPELLER		1
1830	2162117028162	SUCTION FLANGE		1
1835	2750917023063	GASKET [PUMP BODY >> SUCTION FLANGE]		1
1840	270830810163200000	SCREW [SUCTION FLANGE >> PUMP BODY]	802318	3