

Qty. Description

1 UP 20-30 N 150



Note! Product picture may differ from actual product

Product No.: [59643500](#)

The pump is of the canned rotor type, i.e. pump and motor form an integral unit without shaft seal and with only two gaskets for sealing.

The bearings are lubricated by the pumped liquid.

The pump is characterized by:

- * Ceramic shaft and radial bearings.
- * Carbon axial bearing.
- * Stainless steel rotor can and bearing plate.
- * Corrosion-resistant impeller, Composite.
- * Stainless steel pump housing.

The motor is a 1-phase motor.

No additional motor protection is required.

Liquid:

Pumped liquid: Water
 Liquid temperature range: 2 .. 110 °C
 Selected liquid temperature: 60 °C
 Density: 983.2 kg/m³

Technical:

Rated flow: 1.53 m³/h
 Rated head: 1.7 m
 TF class: 95
 Approvals: CE, VDE, EAC, WEEE

Materials:

Pump housing: Stainless steel
 EN 1.4301
 AISI 304
 Impeller: Composite
 PES+30% GF

Installation:

Range of ambient temperature: 0 .. 40 °C
 Amb. max at 80 dgr C liquid: 40 °C
 Maximum operating pressure: 10 bar
 Type of connection: G
 Size of connection: 1 1/4 inch
 Pressure rating for connection: PN 10
 Port-to-port length: 150 mm

Electrical data:

Max. power input: 75 W
 Mains frequency: 50 Hz



Company name: ASC Water Tanks
Created by: Anant Yuvarajah
Phone: 03 8795 7715
Email: sales@asc tanks.com.au
Date: 12/06/2024

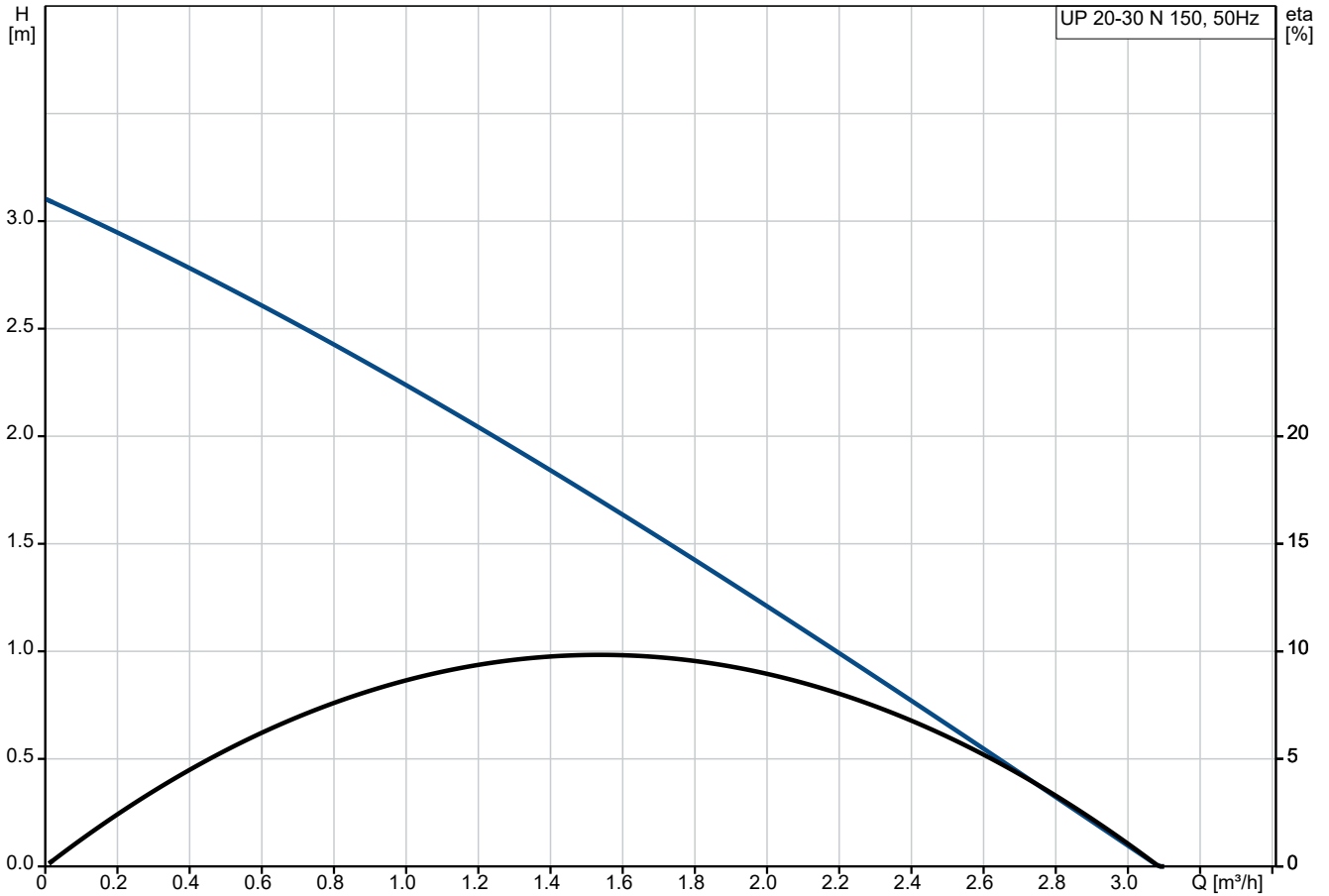
Qty. Description

1	Rated voltage:	1 x 230 V
	Current in speed 3:	0.31 A
	Capacitor size - run:	2 µF
	Enclosure class (IEC 34-5):	IP44
	Insulation class (IEC 85):	F
	Built-in motor protection:	NONE
	Others:	
	Terminal box position:	9H
	Net weight:	2.04 kg
	Gross weight:	2.18 kg
	Shipping volume:	0.004 m ³
	Danish VVS No.:	380621100
	Swedish RSK No.:	5803029
	Finnish LVI No.:	4615606
	Norwegian NRF no.:	9042211

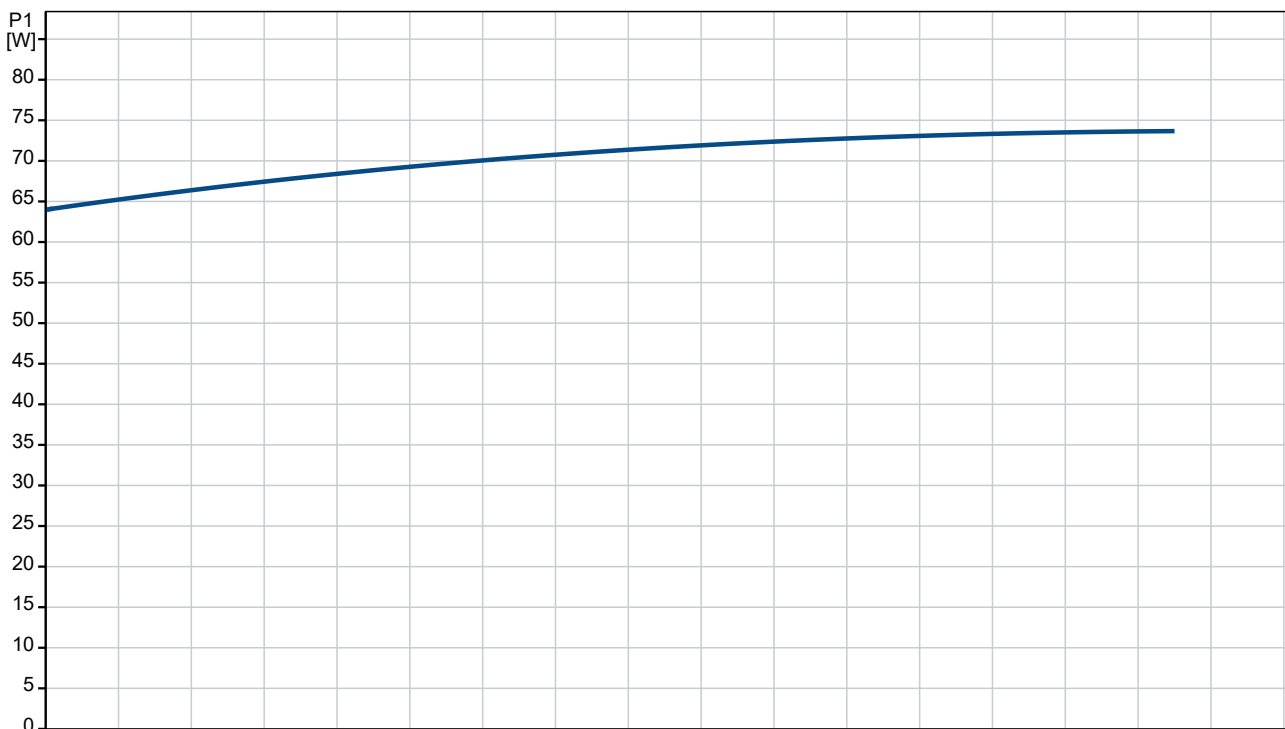


Company name: ASC Water Tanks
Created by: Anant Yuvarajah
Phone: 03 8795 7715
Email: sales@asc tanks.com.au
Date: 12/06/2024

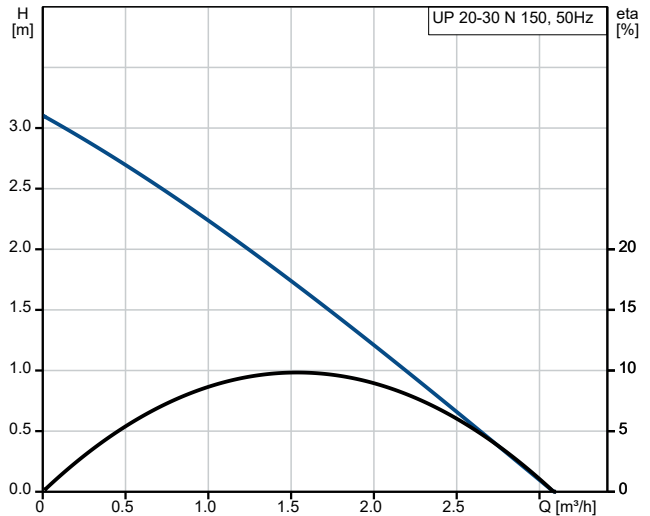
59643500 UP 20-30 N 150 50 Hz



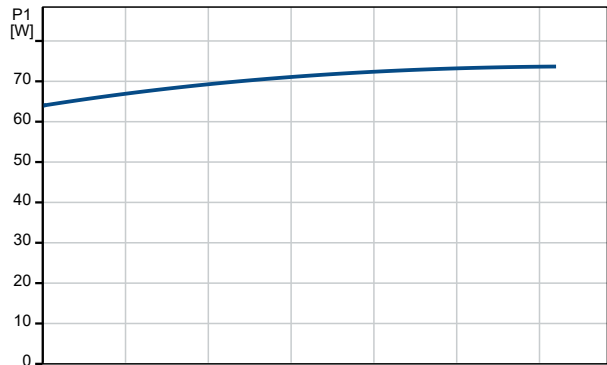
Pumped liquid = Water
Liquid temperature during operation = 60 °C
Density = 983.2 kg/m³



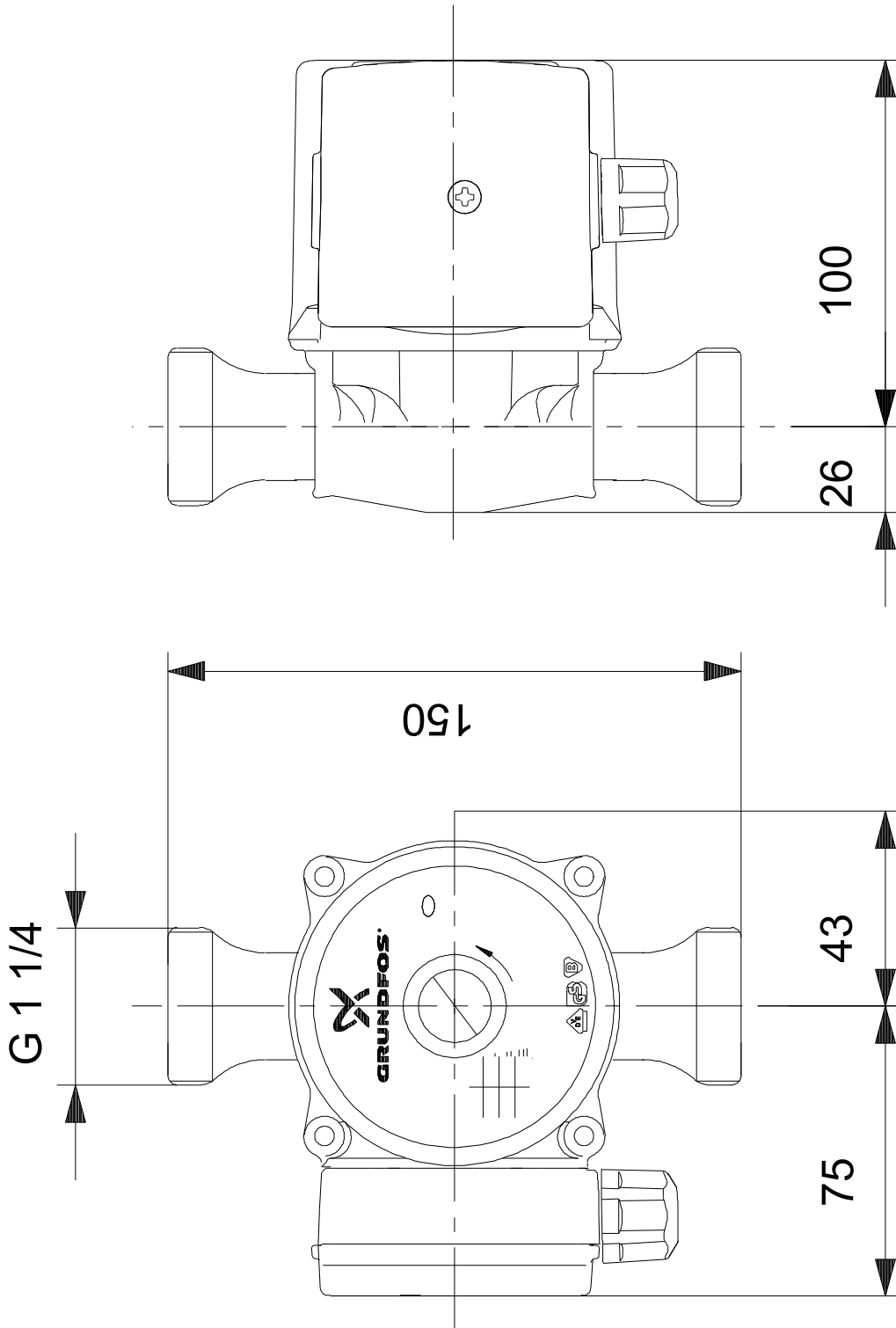
Description	Value
General information:	
Product name:	UP 20-30 N 150
Product No:	59643500
EAN number:	5708601058745
Price:	AUD 631
Technical:	
Speed no:	1
Rated flow:	1.53 m ³ /h
Rated head:	1.7 m
Maximum head:	30 dm
TF class:	95
Approvals:	CE, VDE, EAC, WEEE
Materials:	
Pump housing:	Stainless steel
Pump housing:	EN 1.4301
Pump housing:	AISI 304
Impeller:	Composite
Impeller:	PES+30% GF
Installation:	
Range of ambient temperature:	0 .. 40 °C
Amb. max at 80 dgr C liquid:	40 °C
Maximum operating pressure:	10 bar
Type of connection:	G
Size of connection:	1 1/4 inch
Pressure rating for connection:	PN 10
Port-to-port length:	150 mm
Liquid:	
Pumped liquid:	Water
Liquid temperature range:	2 .. 110 °C
Selected liquid temperature:	60 °C
Density:	983.2 kg/m ³
Electrical data:	
Max. power input:	75 W
Mains frequency:	50 Hz
Rated voltage:	1 x 230 V
Current in speed 3:	0.31 A
Capacitor size - run:	2 µF
Enclosure class (IEC 34-5):	IP44
Insulation class (IEC 85):	F
Built-in motor protection:	NONE
Thermal protec:	IMP.
Others:	
Terminal box position:	9H
Net weight:	2.04 kg
Gross weight:	2.18 kg
Shipping volume:	0.004 m ³
Danish VVS No.:	380621100
Swedish RSK No.:	5803029
Finnish LVI No.:	4615606
Norwegian NRF no.:	9042211



Pumped liquid = Water
 Liquid temperature during operation = 60 °C
 Density = 983.2 kg/m³

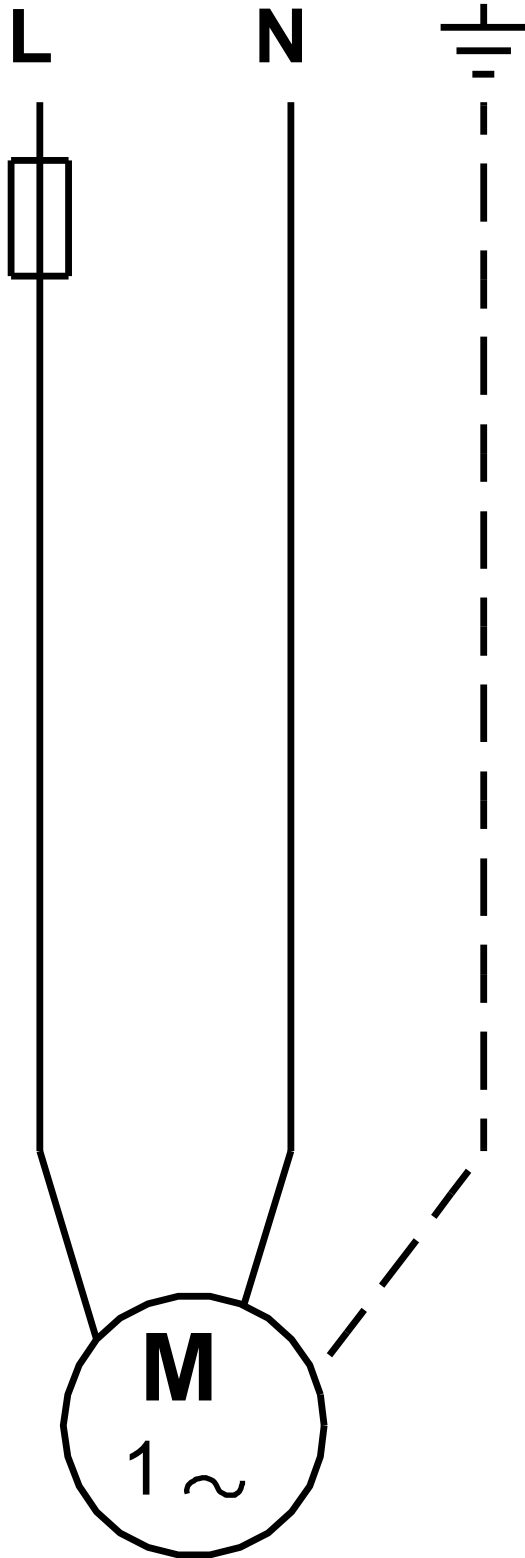


59643500 UP 20-30 N 150 50 Hz



Note! All units are in [mm] unless others are stated.
Disclaimer: This simplified dimensional drawing does not show all details.

59643500 UP 20-30 N 150 50 Hz



Note! All units are in [mm] unless others are stated.