



**Company name:** ASC Water Tanks  
**Created by:** Anant Yuvarajah  
**Phone:** 03 8795 7715  
**Email:** sales@asc tanks.com.au  
**Date:** 04/06/2024

**Qty. Description**

1 UPS 25-60 130



Note! Product picture may differ from actual product

Product No.: [96281476](#)

The pump is of the canned rotor type, i.e. pump and motor form an integral unit without shaft seal and with only two gaskets for sealing. The bearings are lubricated by the pumped liquid. The pump has 3-step speed selector.

The pump is characterized by:

- \* Ceramic shaft and radial bearings.
- \* Carbon axial bearing.
- \* Stainless steel rotor can and bearing plate.
- \* Corrosion-resistant impeller, Composite.
- \* Cast iron pump housing.

The motor is a 1-phase motor.

No additional motor protection is required.

**Liquid:**

Pumped liquid: Water  
Liquid temperature range: 2 .. 110 °C  
Selected liquid temperature: 60 °C  
Density: 983.2 kg/m<sup>3</sup>

**Technical:**

Rated flow: 31.67 l/min  
Rated head: 3.109 m  
TF class: 110  
Approvals: VDE,EAC,RCM

**Materials:**

Pump housing: Cast iron  
EN 1561 EN-GJL-150  
ASTM 30 B  
Impeller: Composite  
PES+30% GF

**Installation:**

Range of ambient temperature: 0 .. 40 °C  
Maximum operating pressure: 1000 kPa  
Type of connection: G  
Size of connection: 1 1/2 inch  
Pressure rating for connection: PN 10  
Port-to-port length: 130 mm

**Electrical data:**

Power input in speed 1: 50 W  
Power input in speed 2: 60 W



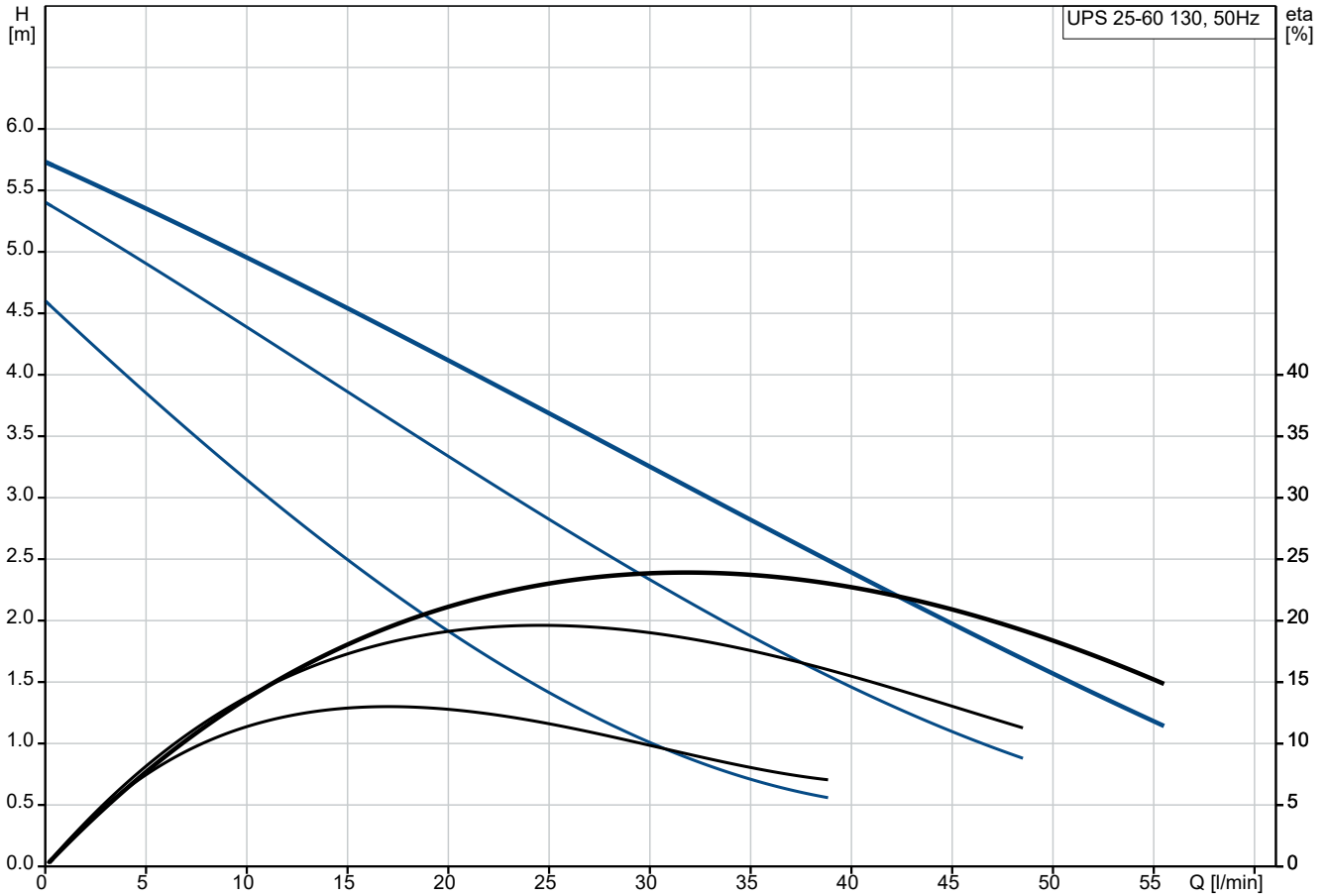
**Company name:** ASC Water Tanks  
**Created by:** Anant Yuvarajah  
**Phone:** 03 8795 7715  
**Email:** sales@asc tanks.com.au  
**Date:** 04/06/2024

Qty.	Description
1	<p>Max. power input: 70 W Mains frequency: 50 Hz Rated voltage: 1 x 230 V Current in speed 1: 0.22 A Current in speed 2: 0.27 A Current in speed 3: 0.3 A Capacitor size - run: 2.5 µF Enclosure class (IEC 34-5): IP44 Insulation class (IEC 85): F Built-in motor protection: NONE</p> <p>Others: Terminal box position: 9H Net weight: 2.4 kg Gross weight: 2.54 kg Shipping volume: 0.004 m<sup>3</sup> Country of origin: DK Custom tariff no.: 84137090622081967</p>

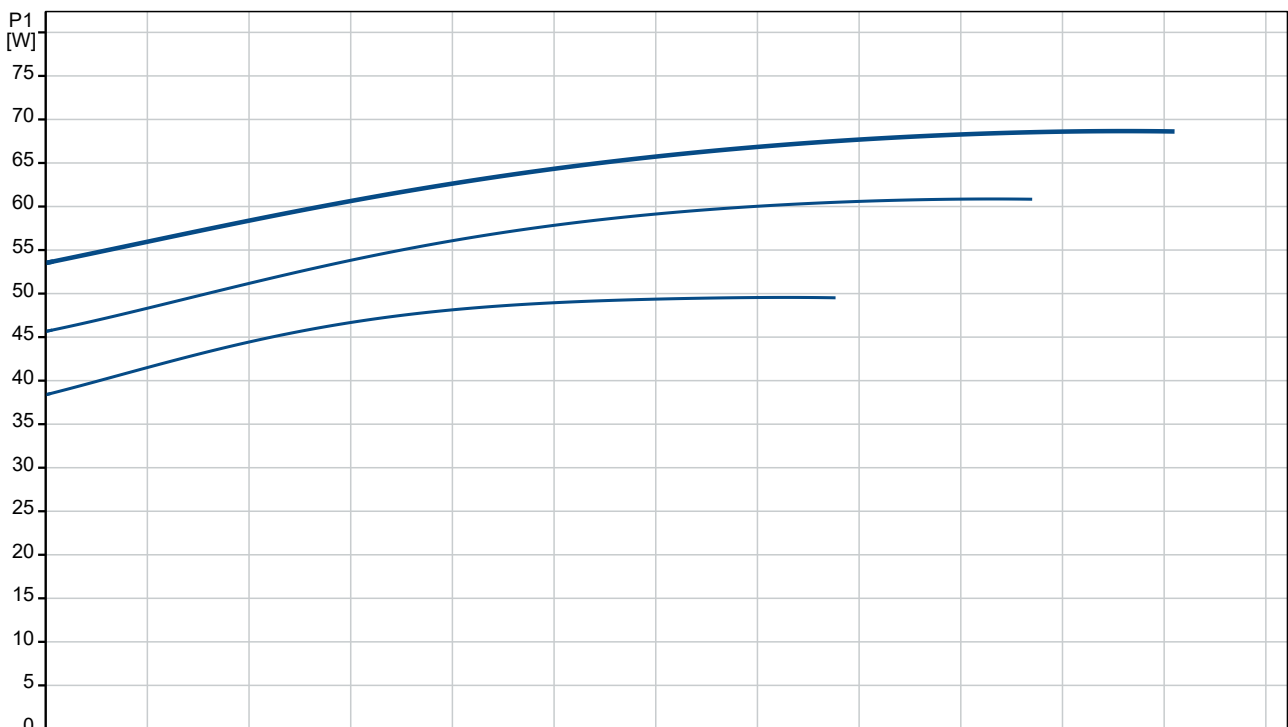


Company name: ASC Water Tanks  
Created by: Anant Yuvarajah  
Phone: 03 8795 7715  
Email: sales@asc tanks.com.au  
Date: 04/06/2024

### 96281476 UPS 25-60 130 50 Hz



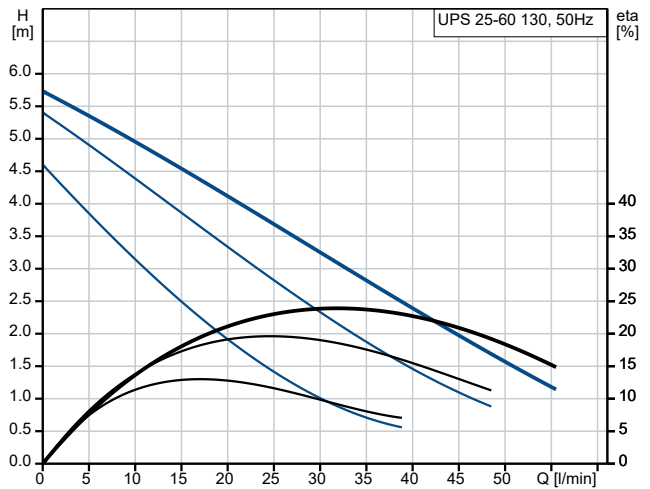
Pumped liquid = Water  
Liquid temperature during operation = 60 °C  
Density = 983.2 kg/m<sup>3</sup>



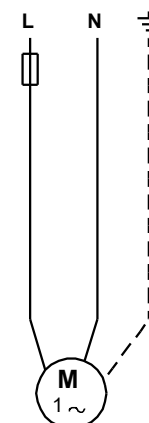
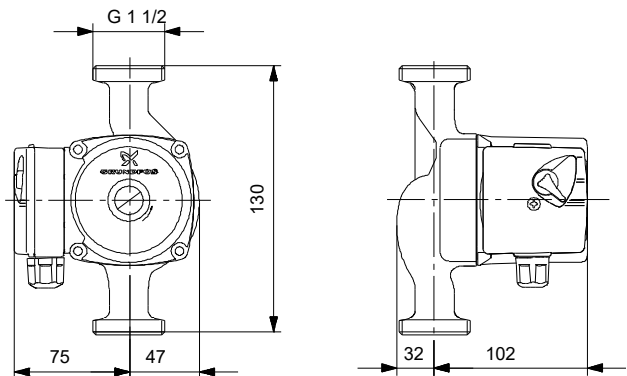
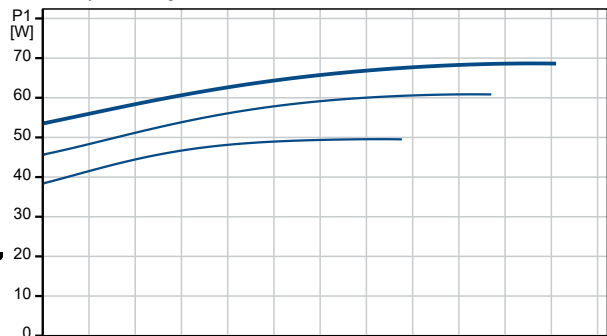


**Company name:** ASC Water Tanks  
**Created by:** Anant Yuvarajah  
**Phone:** 03 8795 7715  
**Email:** sales@asc tanks.com.au  
**Date:** 04/06/2024

Description	Value
<b>General information:</b>	
Product name:	UPS 25-60 130
Product No:	96281476
EAN number:	5700830383186
Price:	AUD 447
<b>Technical:</b>	
Speed no:	3
Rated flow:	31.67 l/min
Rated head:	3.109 m
Maximum head:	6 m
TF class:	110
Approvals:	VDE,EAC,RCM
<b>Materials:</b>	
Pump housing:	Cast iron
Pump housing:	EN 1561 EN-GJL-150
Pump housing:	ASTM 30 B
Impeller:	Composite
Impeller:	PES+30% GF
<b>Installation:</b>	
Range of ambient temperature:	0 .. 40 °C
Maximum operating pressure:	1000 kPa
Type of connection:	G
Size of connection:	1 1/2 inch
Pressure rating for connection:	PN 10
Port-to-port length:	130 mm
<b>Liquid:</b>	
Pumped liquid:	Water
Liquid temperature range:	2 .. 110 °C
Selected liquid temperature:	60 °C
Density:	983.2 kg/m <sup>3</sup>
<b>Electrical data:</b>	
Power input in speed 1:	50 W
Power input in speed 2:	60 W
Max. power input:	70 W
Mains frequency:	50 Hz
Rated voltage:	1 x 230 V
Current in speed 1:	0.22 A
Current in speed 2:	0.27 A
Current in speed 3:	0.3 A
Capacitor size - run:	2.5 µF
Enclosure class (IEC 34-5):	IP44
Insulation class (IEC 85):	F
Built-in motor protection:	NONE
Thermal protec:	IMP.
<b>Others:</b>	
Terminal box position:	9H
Net weight:	2.4 kg
Gross weight:	2.54 kg
Shipping volume:	0.004 m <sup>3</sup>
Country of origin:	DK
Custom tariff no.:	84137090622081967



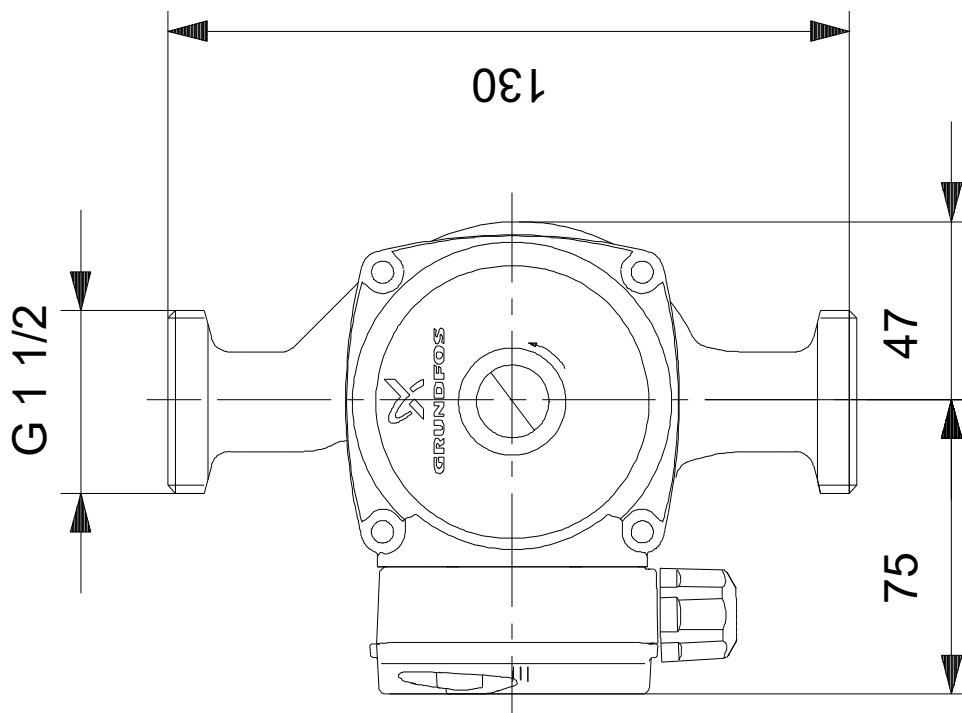
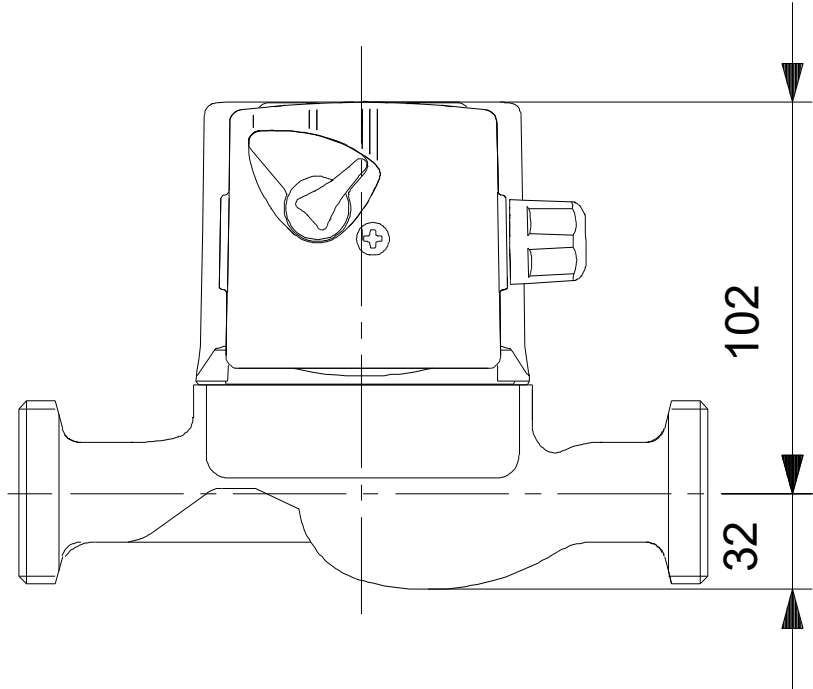
Pumped liquid = Water  
 Liquid temperature during operation = 60 °C  
 Density = 983.2 kg/m<sup>3</sup>





Company name: ASC Water Tanks  
Created by: Anant Yuvarajah  
Phone: 03 8795 7715  
Email: sales@asc tanks.com.au  
Date: 04/06/2024

### 96281476 UPS 25-60 130 50 Hz

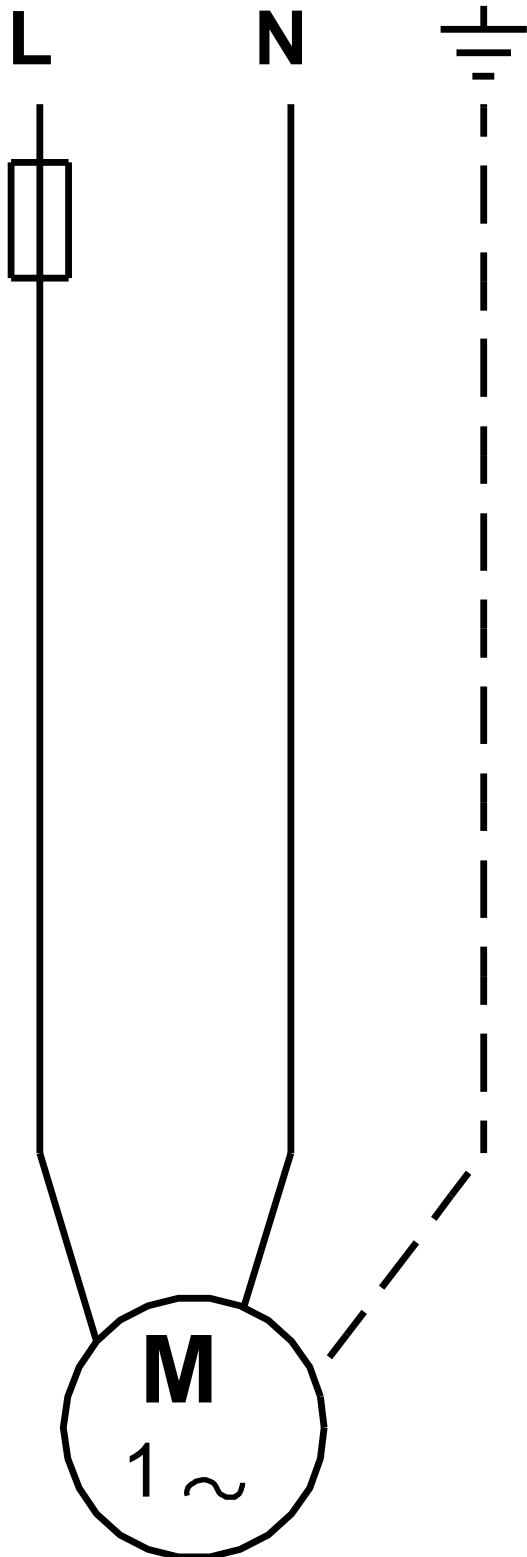


Note! All units are in [mm] unless others are stated.  
Disclaimer: This simplified dimensional drawing does not show all details.



Company name: ASC Water Tanks  
Created by: Anant Yuvarajah  
Phone: 03 8795 7715  
Email: sales@asc tanks.com.au  
Date: 04/06/2024

96281476 UPS 25-60 130 50 Hz



Note! All units are in [mm] unless others are stated.