

Qty. Description

1 **UPS 25-60 N 180**



Note! Product picture may differ from actual product

Product No.: [96913085](#)

The pump is of the canned rotor type, i.e. pump and motor form an integral unit without shaft seal and with only two gaskets for sealing. The bearings are lubricated by the pumped liquid. The pump has 3-step speed selector. The pump is characterized by:

- * Ceramic shaft and radial bearings.
- * Carbon axial bearing.
- * Stainless steel rotor can and bearing plate.
- * Corrosion-resistant impeller, Composite.
- * Stainless steel pump housing.

The motor is a 1-phase motor.
No additional motor protection is required.

Liquid:	
Pumped liquid:	Water
Liquid temperature range:	2 .. 110 °C
Selected liquid temperature:	60 °C
Density:	983.2 kg/m ³
Technical:	
Rated flow:	1.91 m ³ /h
Rated head:	3.1 m
TF class:	110
Approvals:	CE,VDE,EAC,WEEE,RCM
Materials:	
Pump housing:	Stainless steel EN 1.4308
Impeller:	Composite PES+30% GF
Installation:	
Range of ambient temperature:	0 .. 40 °C
Amb. max at 80 dgr C liquid:	40 °C
Maximum operating pressure:	10 bar
Type of connection:	G
Size of connection:	1 1/2 inch
Pressure rating for connection:	PN 10
Port-to-port length:	180 mm
Electrical data:	
Power input in speed 1:	50 W
Power input in speed 2:	55 W

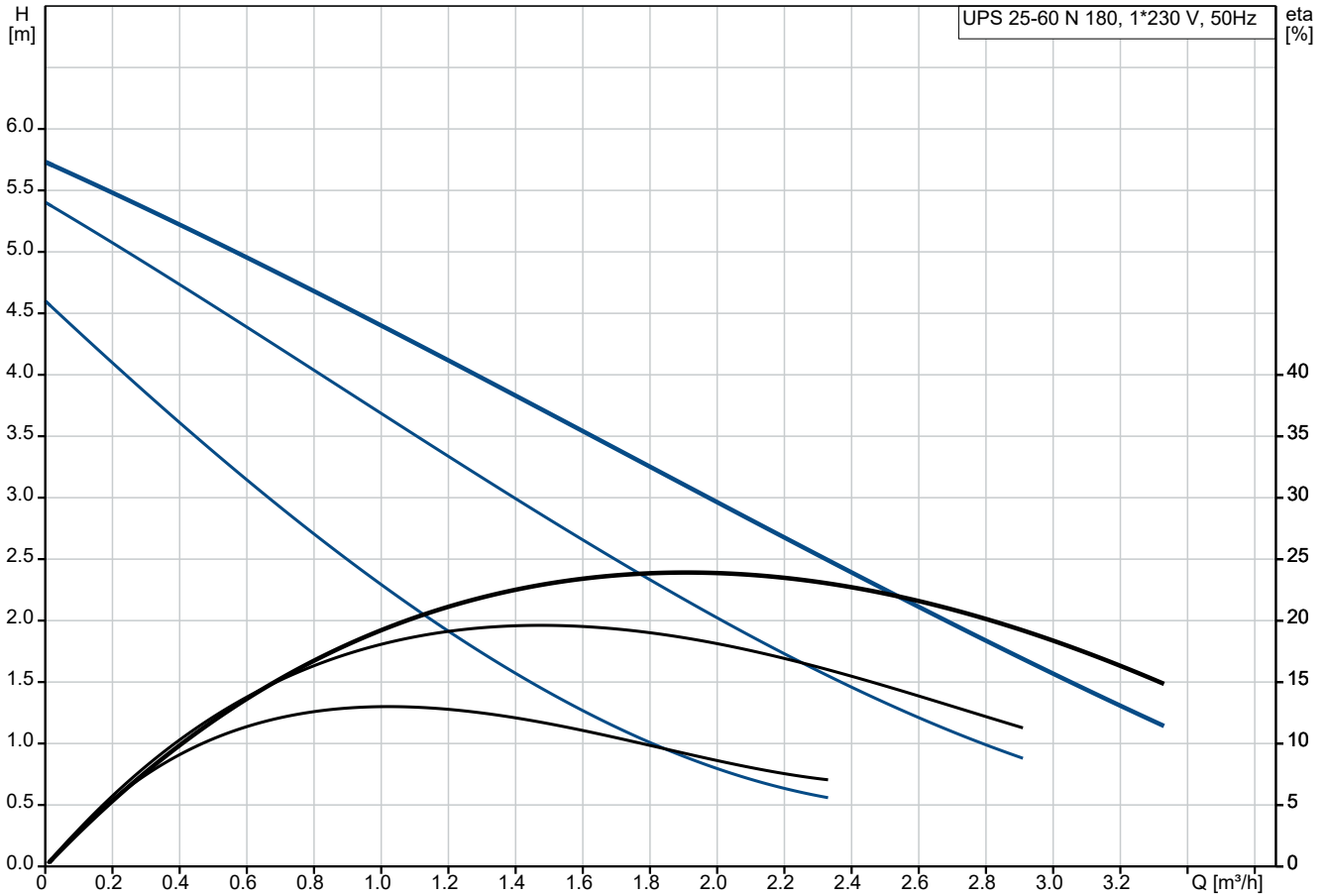


Company name: ASC Water Tanks
Created by: Anant Yuvarajah
Phone: 03 8795 7715
Email: sales@asc tanks.com.au
Date: 13/06/2024

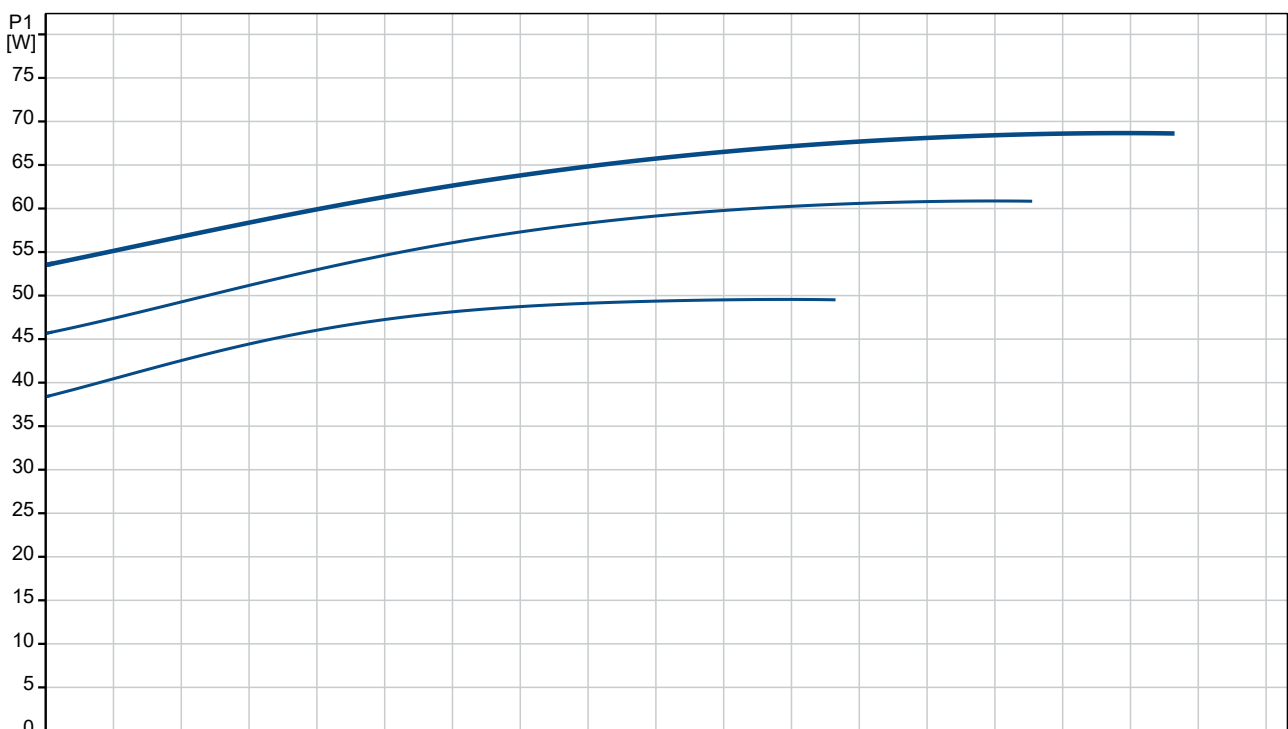
Qty. Description

1	Max. power input:	60 W
	Mains frequency:	50 Hz
	Rated voltage:	1 x 230 V
	Current in speed 1:	0.21 A
	Current in speed 2:	0.25 A
	Current in speed 3:	0.28 A
	Capacitor size - run:	2.5 µF
	Enclosure class (IEC 34-5):	IP44
	Insulation class (IEC 85):	F
	Built-in motor protection:	NONE
	Others:	
	Terminal box position:	9H
	Net weight:	2.86 kg
	Gross weight:	2.97 kg
	Shipping volume:	0.004 m ³
	Danish VVS No.:	380481061
	Swedish RSK No.:	5803097
	Finnish LVI No.:	4615616
	Norwegian NRF no.:	9042215
	Country of origin:	RS

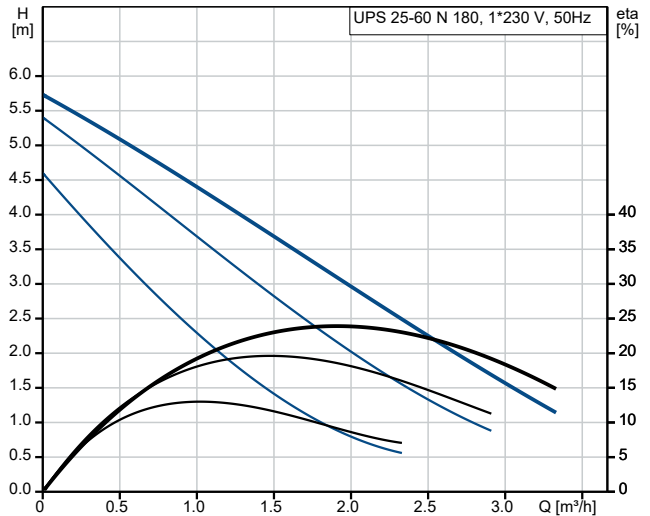
96913085 UPS 25-60 N 180 50 Hz



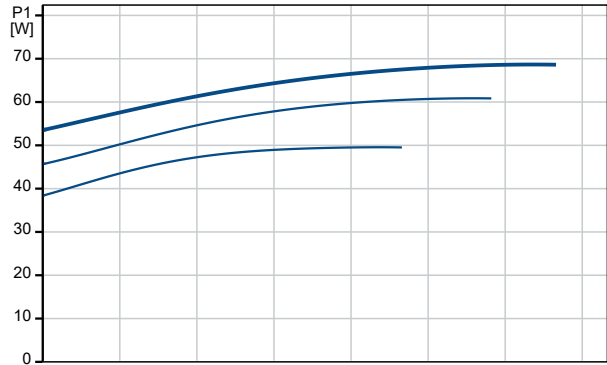
Pumped liquid = Water
 Liquid temperature during operation = 60 °C
 Density = 983.2 kg/m³



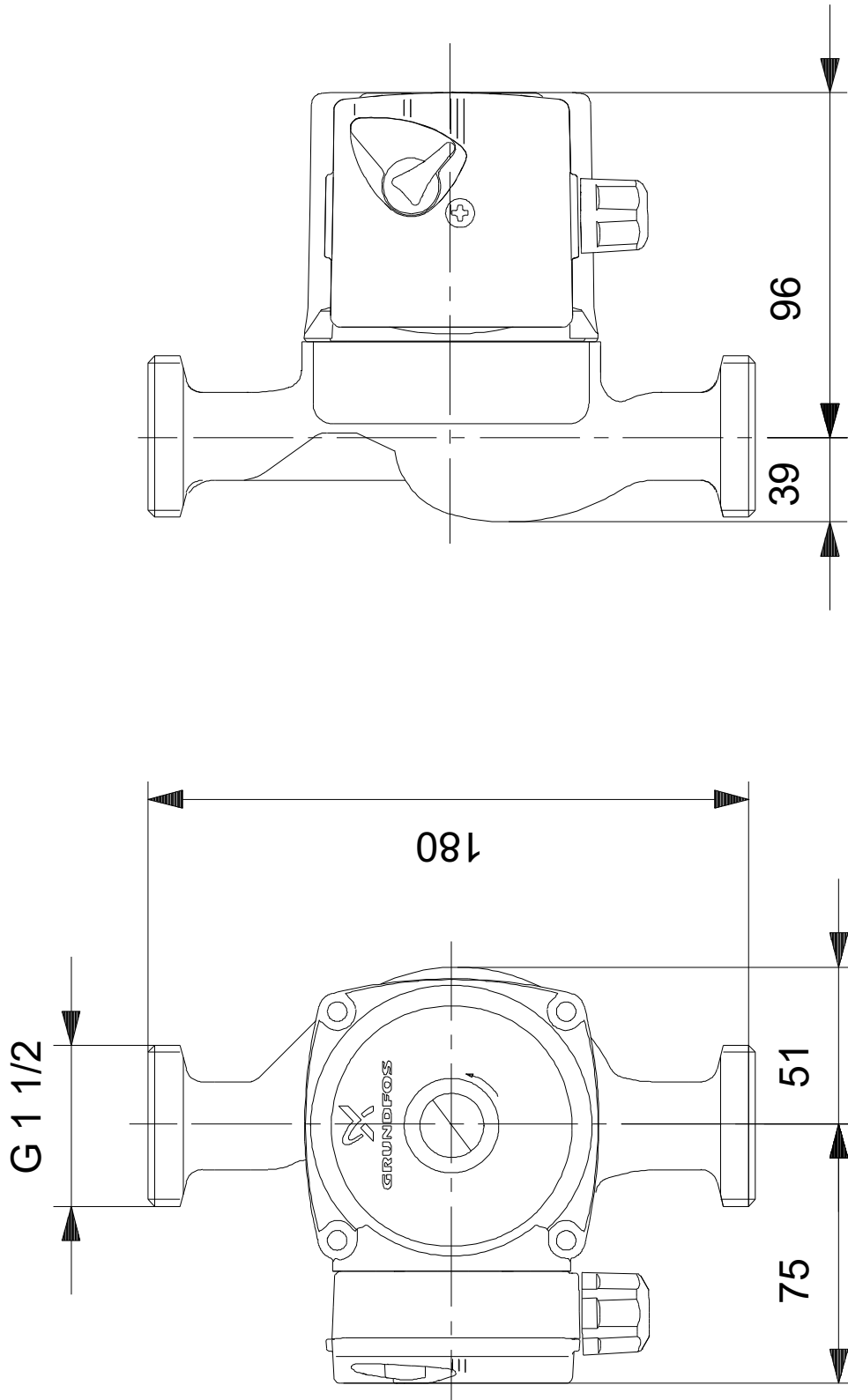
Description	Value
General information:	
Product name:	UPS 25-60 N 180
Product No:	96913085
EAN number:	5700313543465
Price:	AUD 789
Technical:	
Speed no:	3
Rated flow:	1.91 m ³ /h
Rated head:	3.1 m
Maximum head:	60 dm
TF class:	110
Approvals:	CE,VDE,EAC,WEEE,RCM
Materials:	
Pump housing:	Stainless steel
Pump housing:	EN 1.4308
Impeller:	Composite
Impeller:	PES+30% GF
Installation:	
Range of ambient temperature:	0 .. 40 °C
Amb. max at 80 dgr C liquid:	40 °C
Maximum operating pressure:	10 bar
Type of connection:	G
Size of connection:	1 1/2 inch
Pressure rating for connection:	PN 10
Port-to-port length:	180 mm
Liquid:	
Pumped liquid:	Water
Liquid temperature range:	2 .. 110 °C
Selected liquid temperature:	60 °C
Density:	983.2 kg/m ³
Electrical data:	
Power input in speed 1:	50 W
Power input in speed 2:	55 W
Max. power input:	60 W
Mains frequency:	50 Hz
Rated voltage:	1 x 230 V
Current in speed 1:	0.21 A
Current in speed 2:	0.25 A
Current in speed 3:	0.28 A
Capacitor size - run:	2.5 µF
Enclosure class (IEC 34-5):	IP44
Insulation class (IEC 85):	F
Built-in motor protection:	NONE
Thermal protec:	IMP
Others:	
Terminal box position:	9H
Net weight:	2.86 kg
Gross weight:	2.97 kg
Shipping volume:	0.004 m ³
Danish VVS No.:	380481061
Swedish RSK No.:	5803097
Finnish LVI No.:	4615616
Norwegian NRF no.:	9042215
Country of origin:	RS



Pumped liquid = Water
 Liquid temperature during operation = 60 °C
 Density = 983.2 kg/m³



96913085 UPS 25-60 N 180 50 Hz



Note! All units are in [mm] unless others are stated.
Disclaimer: This simplified dimensional drawing does not show all details.