

DYNAJET® SPEARPOINT PUMPS

Models: Dynajet® XJ50, XJ70 & XJ90

Build Prefix: 72501, 72701 & 72901

DEPEND ON
DAVEY

WATER PRODUCTS

DYNAJET® SPEARPOINT PUMPS

PRODUCT DESCRIPTION

Economical, compact 50, 70 and 90 lpm single stage jet assisted centrifugal pumps.

APPLICATIONS

- Ideal for domestic irrigation from shallow wells or sand spears
- Overhead or high tank filling
- Pressure boosting
- Water transfer



FEATURES & BENEFITS

PUMP

Single stage jet assisted centrifugal with closed vane impeller.

Brass pump shaft sleeve.

Mechanical shaft seal.

MOTOR

Davey manufactured.

2 pole, 2850rpm, 50Hz.

TEFC with IP55 enclosure.

Class F insulation.

Permanently split capacitor design.

Double contact sealed C3-HTG rated ball bearings.

Protected against both high operating temperatures and high current by a built-in automatically resetting thermal overload.

All models supplied with 2m long power lead fitted with Australian 3 pin plug.

- Manufactured from highest quality corrosion resistant materials
- Compact foot print for quick and easy installation
- TEFC motor - corrosion resistant and excludes dust and dirt
- Motor and pump designed for frequent starts
- Every unit individually tested to guarantee reliable operation
- Low maintenance
- Easy to service if required
- Reliable and proven performance.

OPERATING LIMITS

Model	XJ50	XJ70	XJ90
Capacities to	50lpm	70lpm	90lpm
Maximum total head	46m	48m	46m
Maximum liquid temp.		50°C	
Maximum ambient temp.		55°C	
Maximum suction lift		7m	
Inlet size (BSP)	1" F	1" F	1 1/4" F
Outlet size (BSP)	1" F	1" F	1" F



TECHNICAL SPECIFICATIONS

MATERIALS OF CONSTRUCTION

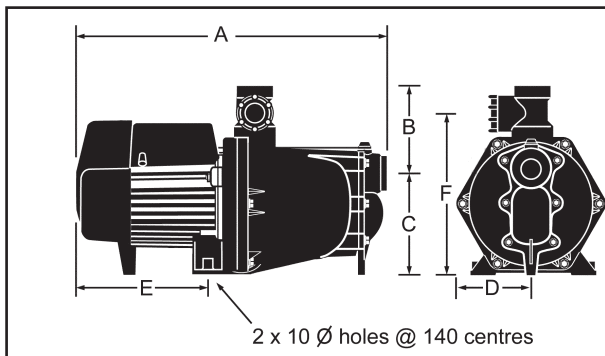
PART	MATERIAL
Impellers	Glass filled polycarbonate
Pump casing	Glass filled Noryl
Pump shaft sleeve	Brass
Internal check valve	Delrin
Internal check valve spring	Stainless spring steel
Jet and Venturi	Acetal
Inlet & outlet ports	Glass filled Noryl
Seal ring (stationary)	Carbon
Seal ring (rotating)	Ceramic
Seal spring	304 Stainless Steel
Orings	Nitrile rubber

ELECTRICAL DATA

	XJ50	XJ70	XJ90
Supply voltage	220-240V		
Supply frequency	50Hz		
Full load current	3.6A	5.1A	6.6A
Locked rotor current	12A	18A	28A
Input power (P ₁)	0.84kW	1.15kW	1.4kW
Output power (P ₂)	0.58kW	0.8kW	1.1kW
Insulation class	Class F		
Starting	P.S.C.		
IP rating	IP55		

AS/NZS 3350.2.41-1997 Approval No. A/10059EA

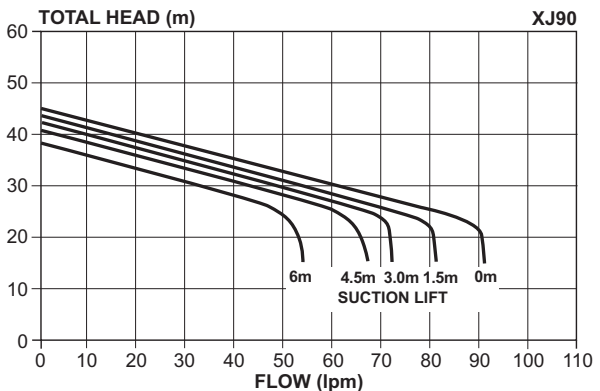
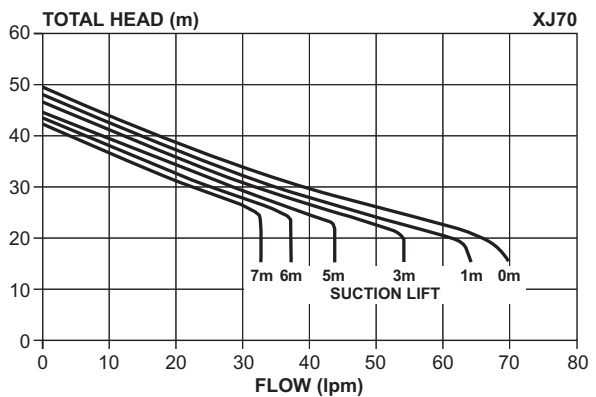
DIMENSIONS



Model	A	B	C	D	E	F	Inlet BSP	Outlet BSP	Weight (kg)
XJ50	430	124	146	102	185	226	1" F	1" F	8.5
XJ70	455	124	146	102	210	226	1" F	1" F	10.5
XJ90	505	124	146	102	260	226	1 1/4" F	1" F	13.5

All dimensions in mm unless otherwise stated.

HYDRAULIC PERFORMANCE



INSTALLATION & PRIMING

- On installations with suction lifts over 1m, a good quality foot valve or non-return valve should be fitted to the suction pipe.
- The system is primed by filling the pump and suction line with water through the priming port, and replacing priming plug prior to switching on.

DEPEND ON
DAVEY
WATER PRODUCTS

Davey Water Products Pty Ltd

Member of the GUD Group
ABN 18 066 327 517

AUSTRALIA Head Office and Manufacturing

6 Lakeview Drive,
Scoresby, Australia 3179
Ph: +61 3 9730 9222
Fax: +61 3 9753 4100
Website: davey.com.au

Customer Service Centre

Ph: 1300 369 100
Fax: 1300 369 119
E-mail: sales@davey.com.au

NEW ZEALAND

7 Rockridge Avenue,
Penrose, Auckland 1061
Ph: +64 9 570 9135
Fax: +64 9 527 7654
E-mail: sales@daveynz.co.nz
Website: daveynz.co.nz

Customer Service Centre

Ph: 0800 654 333

REST OF WORLD

6 Lakeview Drive,
Scoresby, Australia 3179
Ph: +61 3 9730 9121
Fax: +61 3 9753 4248
E-mail: export@davey.com.au
Website: davey.com.au

