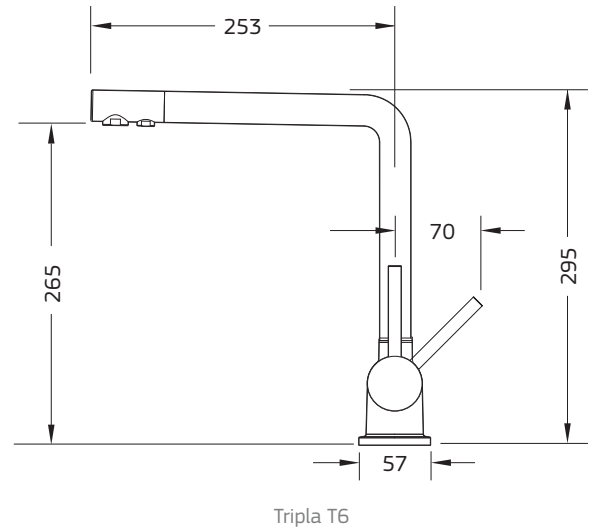
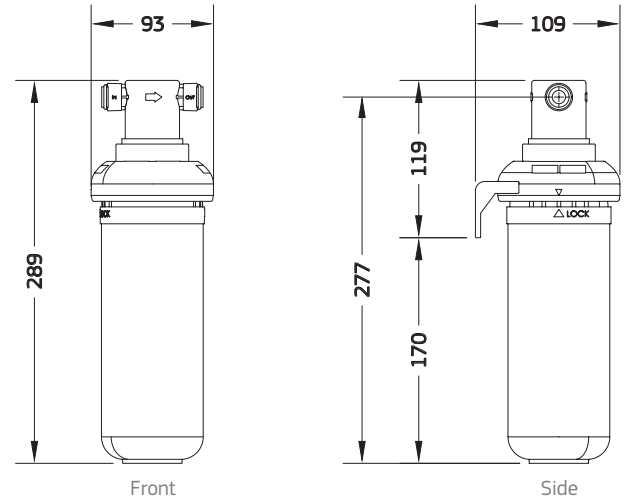


Z1-T6

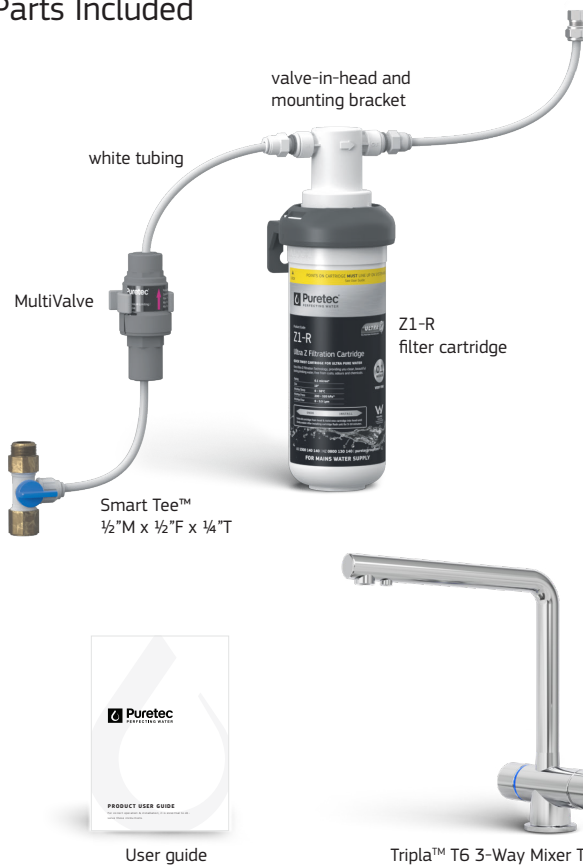
Quick Twist Undersink Filter System with Tripla™ 3-Way Mixer Tap

MAINS WATER



Note: All dimensions are in mm.

Parts Included



Specifications

Ordering Code	Temp °C	Pressure kPa	Flow (Lpm)	Micron Rating (nominal)	Connection	Cartridge Size	Capacity
Z1-T6	0-38	172-520	5.5	0.1	1/2" BSP x 1/4" Tube	10"	30,000L
Tripla™ T6	0-60	50-500	5	-	1/2" and 1/4" braided hose		

Notes:

Wels Rating = 5 Stars. Replacement cartridge code: Z1-R. Required tap hole: 33mm.

Designed to filter mains and town water supply. On high pressure areas where the pressure exceeds the recommended working pressure as indicated, pressure limiting valves must be installed or warranty is voided

Warranty:

Tripla warranty is 1 year parts and labour, plus 5 years parts only. Puretec Z1 Filter Systems Warranty is 1 year parts and labour, plus 9 years parts only. Excludes cartridges. Use only genuine Puretec replacement cartridge.

MAR 2024

For more information contact your local stockist or visit us at puretecgroupp.com

Australia **1300 140 140** | New Zealand **0800 130 140**

1. No claims can be made based on the specifications and images in this document. The design, technology, colours, features and prices are subject to change.
 2. This document and all its contents are copyright protected. All rights are reserved, particularly alteration, translation and reproduction using electronic systems.
 3. *Warranties in this document cover parts for the period stated and include cover for parts and labour for the first year where applicable, subject to approval. Excludes consumables. Our Water Filtration Specialists can provide you with advice to suit your needs.

