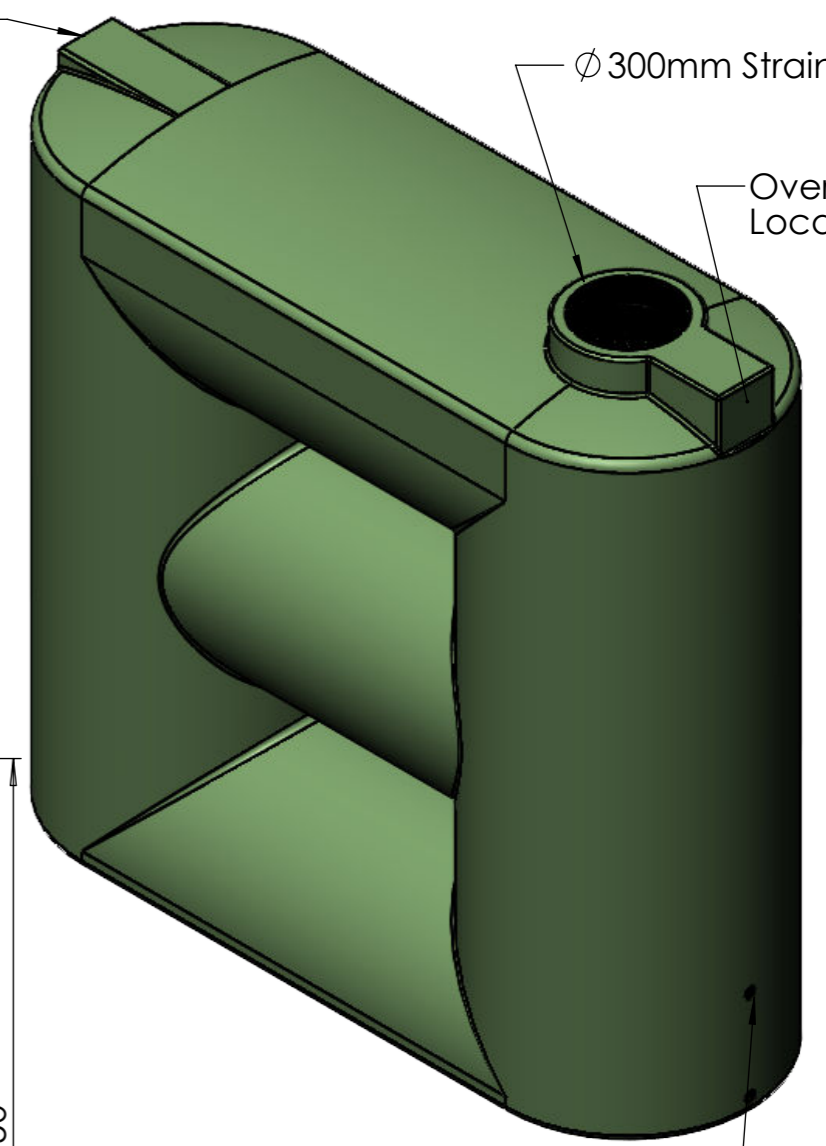


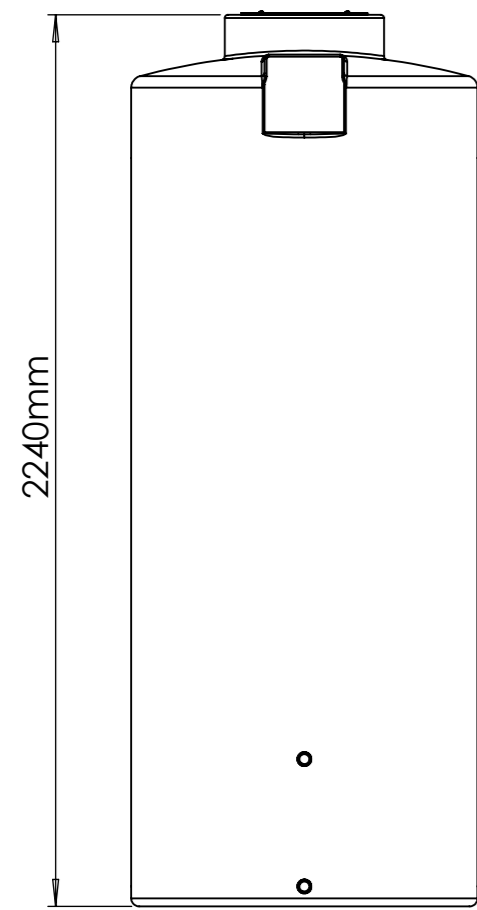
Overflow Location

Ø 300mm Strainer

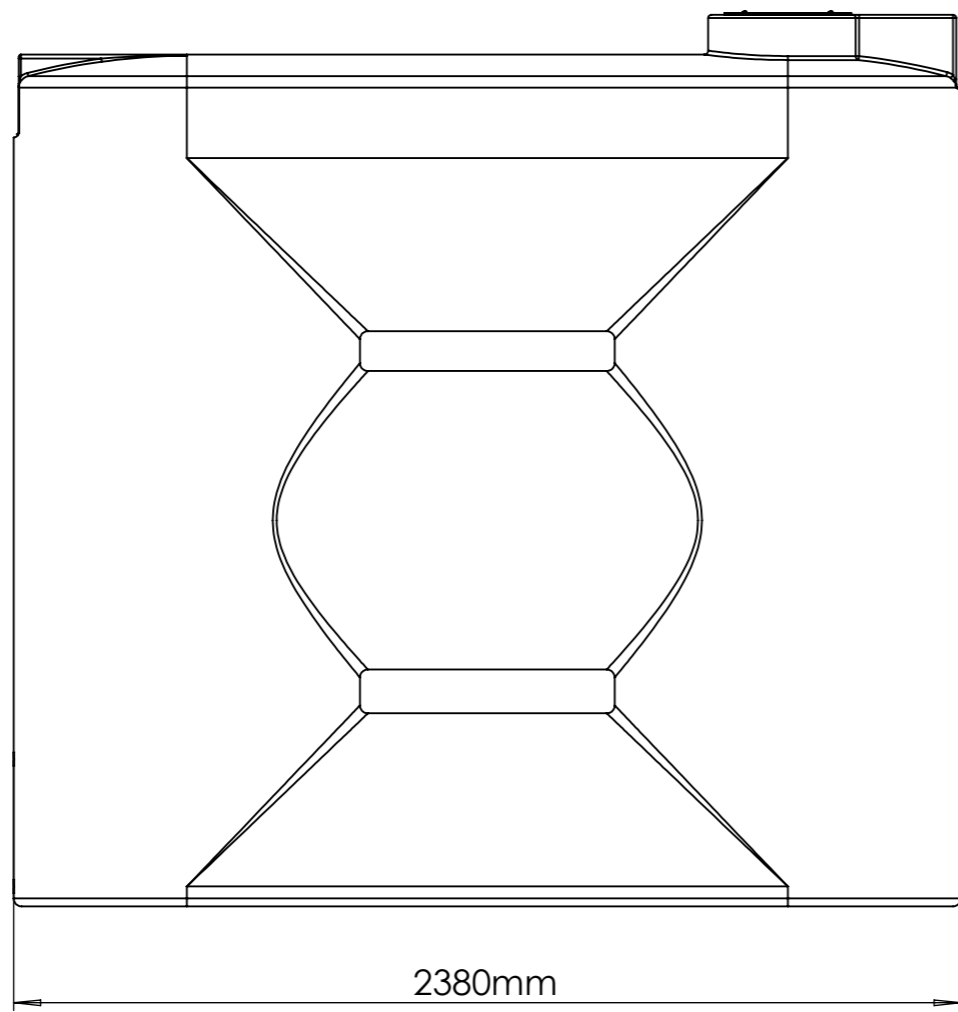
Overflow Location



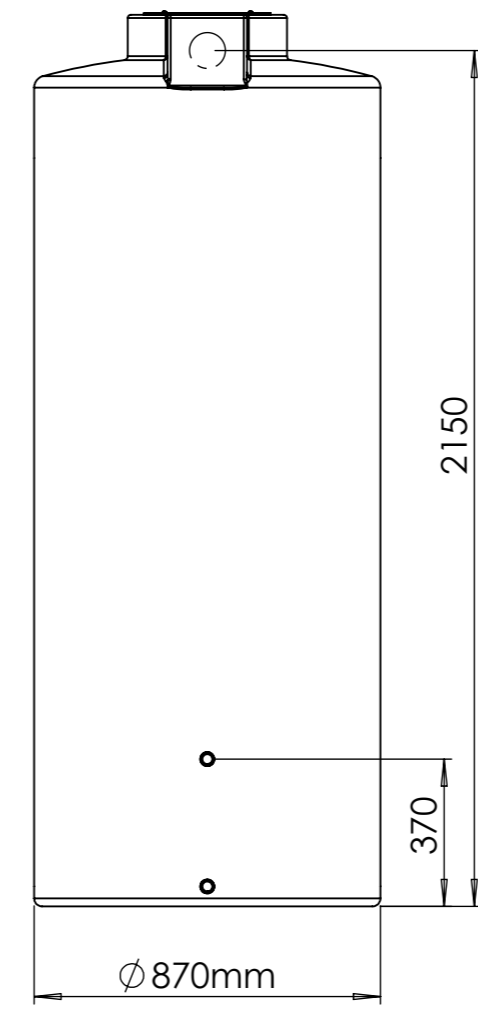
25mm Outlets x4



2240mm



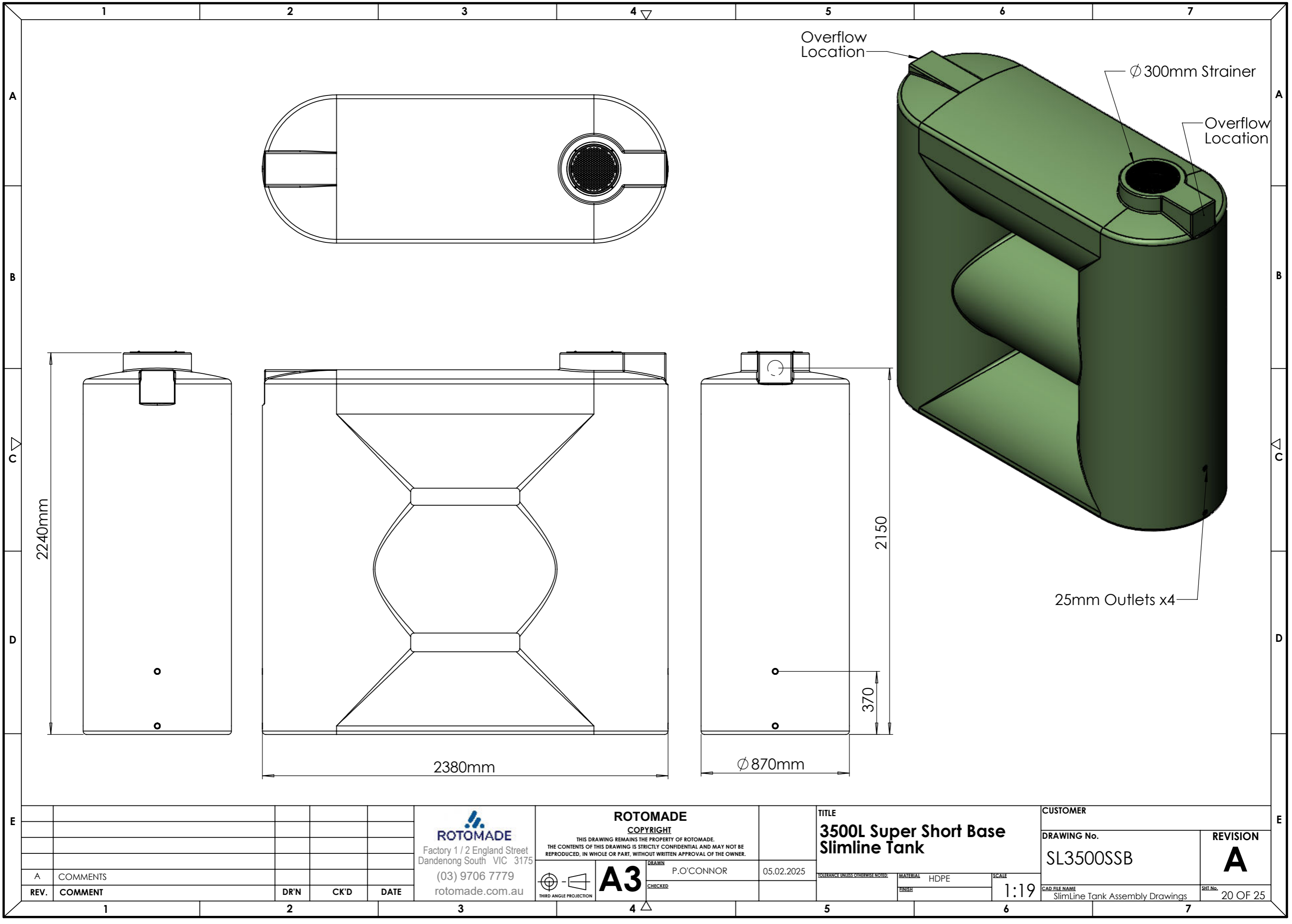
2380mm



2150

Ø 870mm

370



**ROTOMADE**  
 Factory 1 / 2 England Street  
 Dandenong South VIC 3175  
 (03) 9706 7779  
 rotomade.com.au

**ROTOMADE**  
 COPYRIGHT  
 THIS DRAWING REMAINS THE PROPERTY OF ROTOMADE.  
 THE CONTENTS OF THIS DRAWING IS STRICTLY CONFIDENTIAL AND MAY NOT BE  
 REPRODUCED, IN WHOLE OR PART, WITHOUT WRITTEN APPROVAL OF THE OWNER.

**A3**  
 DRAWN P.O'CONNOR 05.02.2025  
 CHECKED

TITLE  
**3500L Super Short Base  
 Slimline Tank**

TOLERANCE UNLESS OTHERWISE NOTED: MATERIAL HDPE SCALE 1:19  
 FINISH

CUSTOMER  
 DRAWING No.  
**SL3500SSB**

REVISION  
**A**

CAD FILE NAME: SlimLine Tank Assembly Drawings SHL No. 20 OF 25

REV.	COMMENT	DR'N	CK'D	DATE
A	COMMENTS			